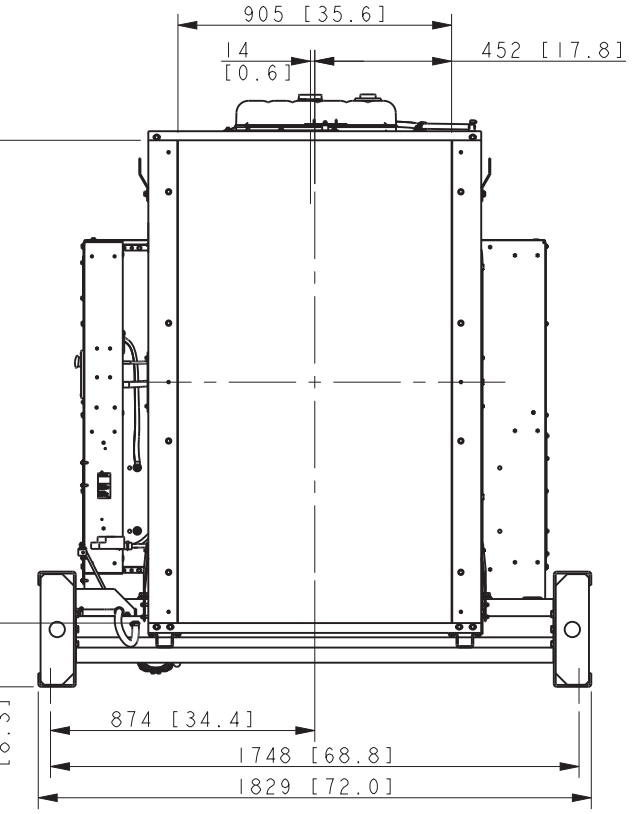
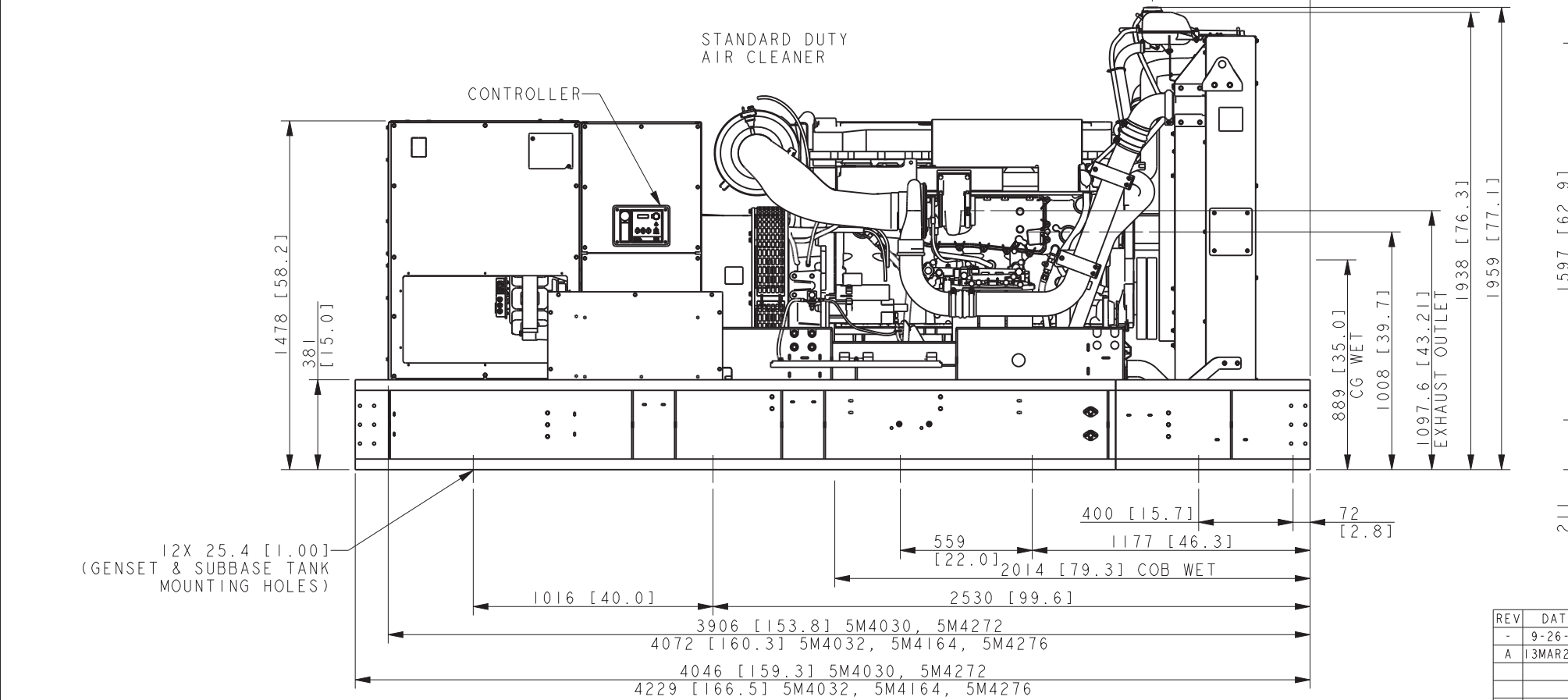


MODEL	ALTERNATOR FRAME	CONNECTION	GENSET WEIGHT (WET)
550 60 HZ	5M4028	10 LEAD	4241 KG [9350 LBS]
550 60 HZ	5M4030	10 LEAD	4241 KG [9350 LBS]
550 60 HZ	5M4032	10 LEAD	4400 KG [9700 LBS]
550 60 HZ	5M4164	4 LEAD	4400 KG [9700 LBS]
550 60 HZ	5M4272	4 LEAD	4241 KG [9350 LBS]

INSTALLATION NOTE
 IF SUBBASE FUEL TANK AND/OR ENCLOSURE IS USED, REFER TO SUBBASE FUEL TANK/ENCLOSURE ADV TO DETERMINE MOUNTING LOCATIONS.



- NOTES:**
- 1) DIMENSIONS IN [] ARE ENGLISH EQUIVALENTS.
 - 2) IF AN ENCLOSURE IS USED THE FUEL LINE MUST BE STUBBED UP FROM DIRECTLY UNDER THE UNIT. REFER TO ENCLOSURE ADV.
 - 3) IF IBC CERTIFICATION IS REQUIRED SEE SEISMIC ADV FOR INSTALLATION INSTRUCTIONS.
 - 4) THIS ASSEMBLY OR PART MUST COMPLY WITH PEP-RML-001

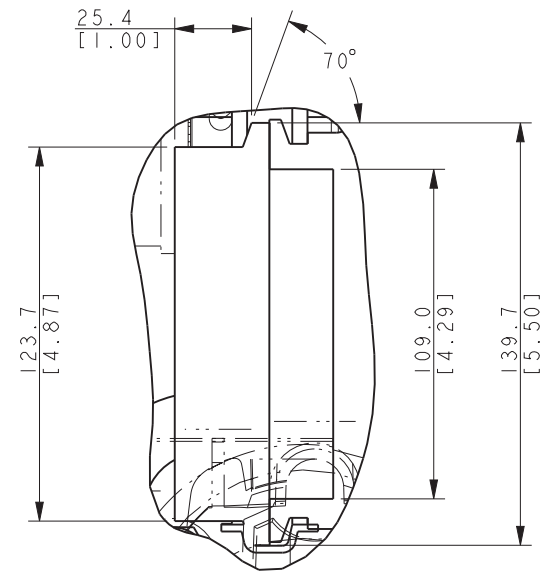
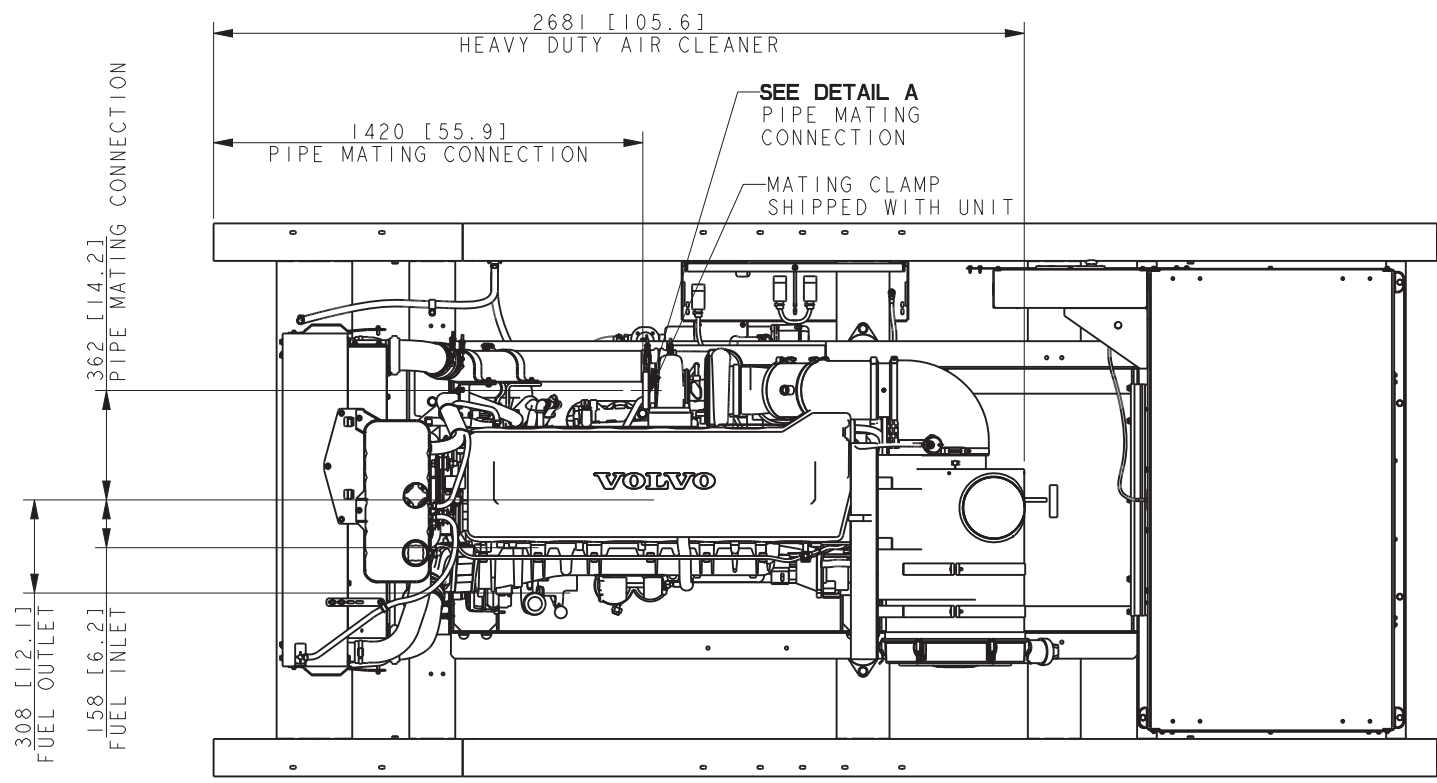
550 MODEL 60 HZ
 5M4028, 5M4030, 5M4032, 5M4164, 5M4272
 RECONN., 380V, 600V ALTERNATORS
 VOLVO

REV	DATE	ON COMPOSITE DWGS. SEE PART NO. FOR REVISION LEVEL	BY	UNLESS OTHERWISE SPECIFIED - DIMENSIONS ARE IN MILLIMETERS
-	9-26-14	NEW DRAWING [CT92986]	SAM	1) TOLERANCES ARE: X.XX ± X.X ± X ANGLES ±
A	13MAR2023	(A-1) PEP-RML-001 NOTE ADDED; SEE SHEET 2 [CT226059]	PBG	2) SURFACE FINISH MAX. THIRD ANGLE PROJECTION
				APPROVALS DATE
				DRAWN SAM 9-26-14
				CHECKED SAM 9-26-14
				APPROVED PBT 9-26-14

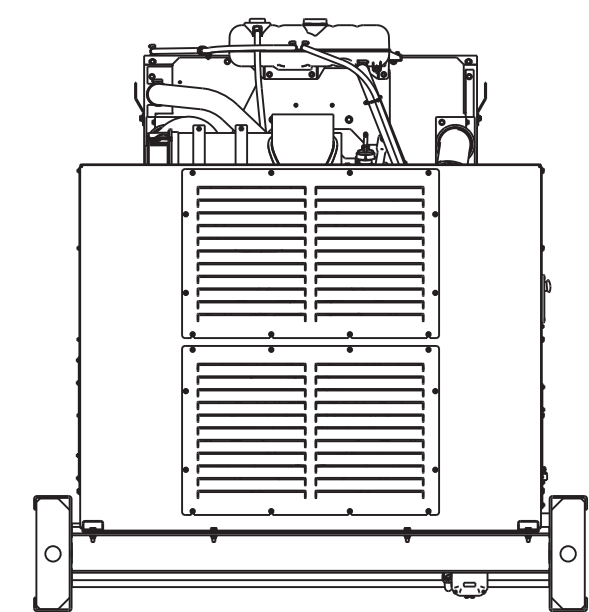
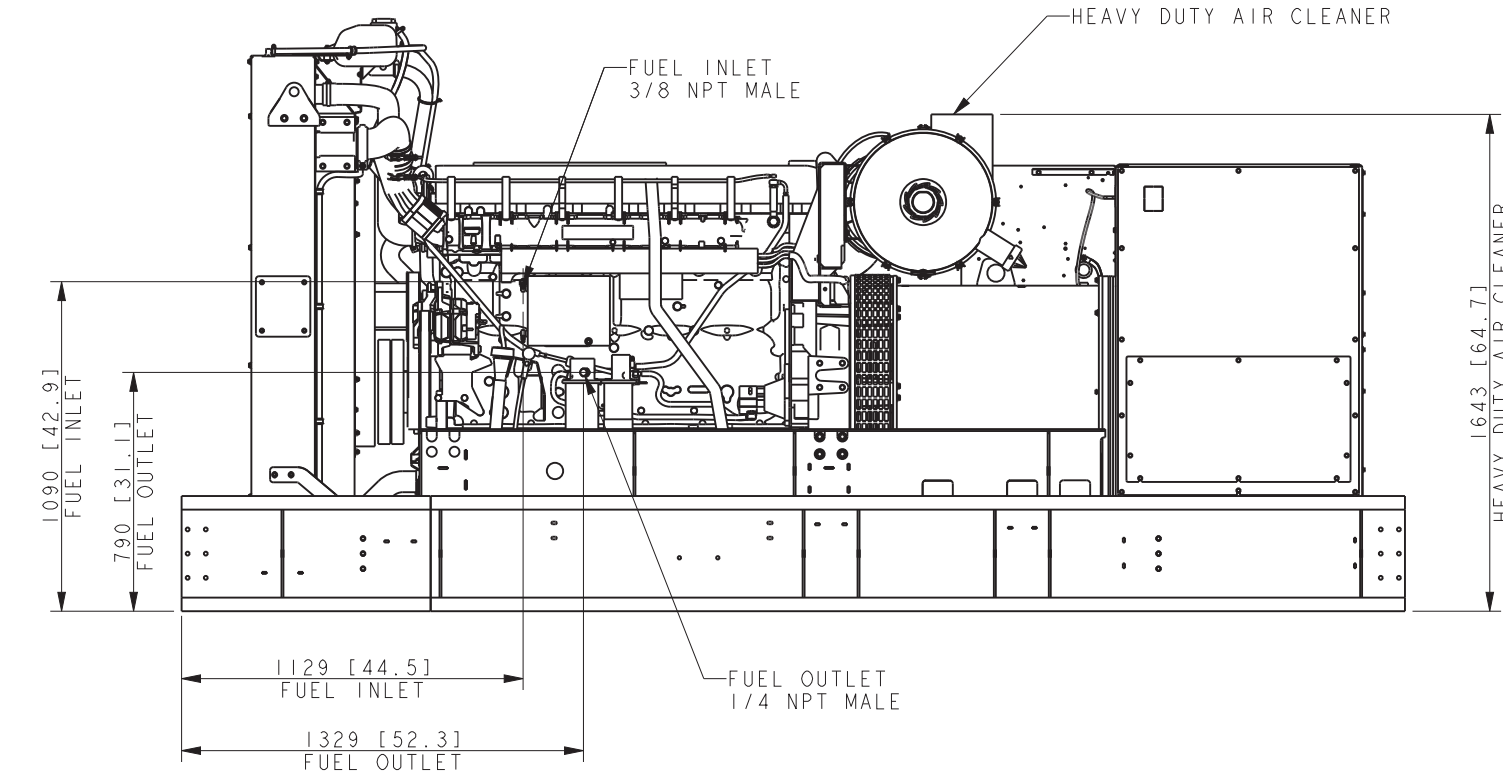
KOHLER CO. METRIC PRO-E
 POWER SYSTEMS, KOHLER, WI 53044 U.S.A.
 THIS DRAWING IN DESIGN AND DETAIL IS KOHLER CO. PROPERTY AND MUST NOT BE USED EXCEPT IN CONNECTION WITH KOHLER CO. WORK. ALL RIGHTS OF DESIGN OR INVENTION ARE RESERVED.

TITLE
 DIMENSION PRINT, 550 KW VOLVO

SCALE 0.08 CAD NO. SHEET 1 of 2
 DWG NO. **ADV-8744**



DETAIL A
(PIPE MATING CONNECTION)



NOTE:
DIMENSIONS IN [] ARE INCH EQUIVALENTS.

550 MODEL 60 HZ
5M4028, 5M4030, 5M4032, 5M4164, 5M4272
RECONN., 380V, 600V ALTERNATORS
VOLVO

REV	DATE	ON COMPOSITE DWGS. SEE PART NO. FOR REVISION LEVEL	BY	UNLESS OTHERWISE SPECIFIED - 1) DIMENSIONS ARE IN MILLIMETERS 2) TOLERANCES ARE:	APPROVALS	DATE	TITLE
-	9-26-14	NEW DRAWING [CT92986]	SAM	X.XX ± X.X ± X ANGLES ±			KOHLER CO. METRIC PRO-E
A	13MAR2023	(D-8,7,6) PIPE MATING CONNECTION WAS EXHAUST OUTLET; (D-6) NOTE ADDED; (C,D-2) DETAIL A UPDATED; (D-6) 2681 WAS 2784; (B-4) 1643 WAS 1771; SEE SHEET 1 [CT226059]	PBG	SURFACE FINISH MAX.			POWER SYSTEMS, KOHLER, WI 53044 U.S.A. THIS DRAWING IN DESIGN AND DETAIL IS KOHLER CO. PROPERTY AND MUST NOT BE USED EXCEPT IN CONNECTION WITH KOHLER CO. WORK. ALL RIGHTS OF DESIGN OR INVENTION ARE RESERVED.
				THIRD ANGLE PROJECTION			DIMENSION PRINT, 550 KW VOLVO
					SCALE 0.08	CAD NO.	SHEET 2 of 2
					APPROVED PBT	9-26-14	ADV-8744