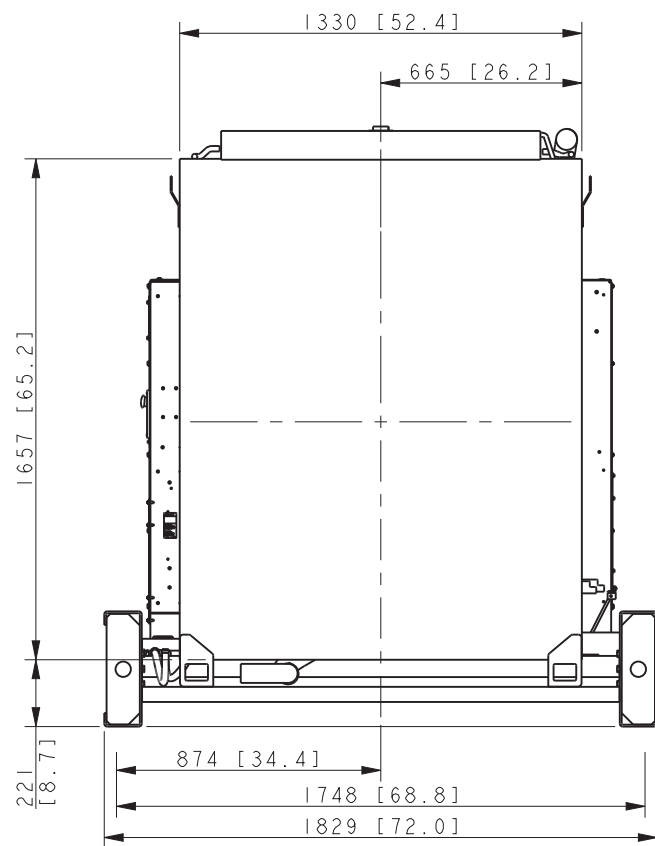
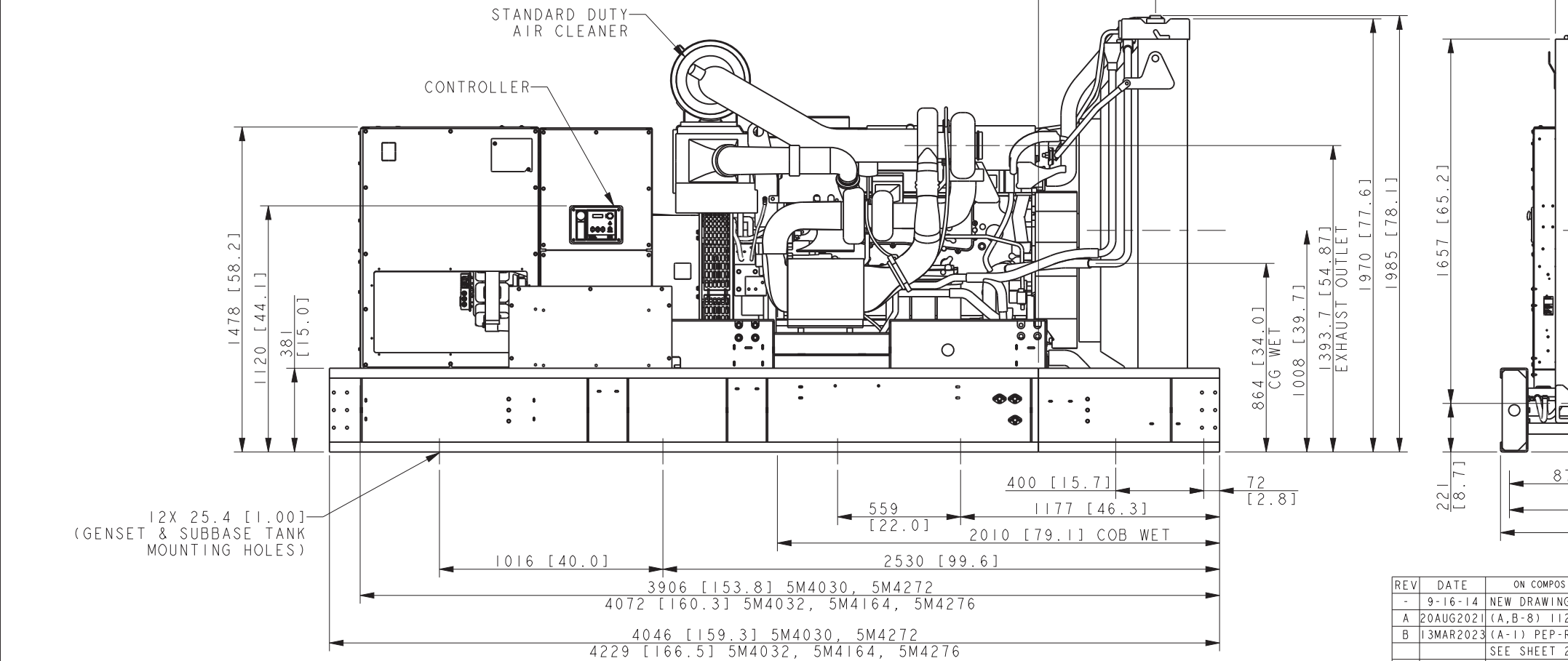


MODEL	ALTERNATOR FRAME	CONNECTION	GENSET WEIGHT (WET)
600 60 HZ	5M4030	10 LEAD	4627 KG [10,200 LBS]
	5M4032	10 LEAD	4785 KG [10,550 LBS]
	5M4164	4 LEAD	4785 KG [10,550 LBS]
	5M4272	4 LEAD	4627 KG [10,200 LBS]
	5M4276	4 LEAD	4885 KG [10,770 LBS]

**INSTALLATION NOTE**  
 IF SUBBASE FUEL TANK AND/OR ENCLOSURE IS USED, REFER TO SUBBASE FUEL TANK/ENCLOSURE ADV TO DETERMINE MOUNTING LOCATIONS.



- NOTES:**
- 1) DIMENSIONS IN [ ] ARE ENGLISH EQUIVALENTS.
  - 2) IF AN ENCLOSURE IS USED THE FUEL LINE MUST BE STUBBED UP FROM DIRECTLY UNDER THE UNIT. REFER TO ENCLOSURE ADV.
  - 3) IF IBC CERTIFICATION IS REQUIRED SEE SEISMIC ADV FOR INSTALLATION INSTRUCTIONS.
  - 4) THIS ASSEMBLY OR PART MUST COMPLY WITH PEP-RML-001

REV	DATE	ON COMPOSITE DWGS. SEE PART NO. FOR REVISION LEVEL	BY
-	9-16-14	NEW DRAWING [CT92986]	SAM
A	20AUG2021	(A,B-8) 1120[44.1] ADDED [CT214162]	RNN
B	13MAR2023	(A-1) PEP-RML-001 NOTE ADDED; SEE SHEET 2 [CT226059]	PBG

UNLESS OTHERWISE SPECIFIED -  
 1) DIMENSIONS ARE IN MILLIMETERS  
 2) TOLERANCES ARE:  
 X.XX ±  
 X.X ±  
 ANGLES ±

THIRD ANGLE PROJECTION

APPROVALS DATE  
 DRAWN SAM 9-16-14  
 CHECKED SAM 9-16-14  
 APPROVED PBT 9-16-14

**KOHLER CO. METRIC PRO-E**  
 POWER SYSTEMS, KOHLER, WI 53044 U.S.A.  
 THIS DRAWING IN DESIGN AND DETAIL IS KOHLER CO. PROPERTY AND MUST NOT BE USED EXCEPT IN CONNECTION WITH KOHLER CO. WORK. ALL RIGHTS OF DESIGN OR INVENTION ARE RESERVED.

TITLE  
**DIMENSION PRINT, 600 KW VOLVO**

SCALE 0.08 CAD NO. SHEET 1 of 2  
 DWG NO. **ADV-8743**

600 MODEL 60 HZ  
 5M4030, 5M4032, 5M4164, 5M4272, 5M4276  
 RECONN., 380V, 600V ALTERNATORS  
 VOLVO

