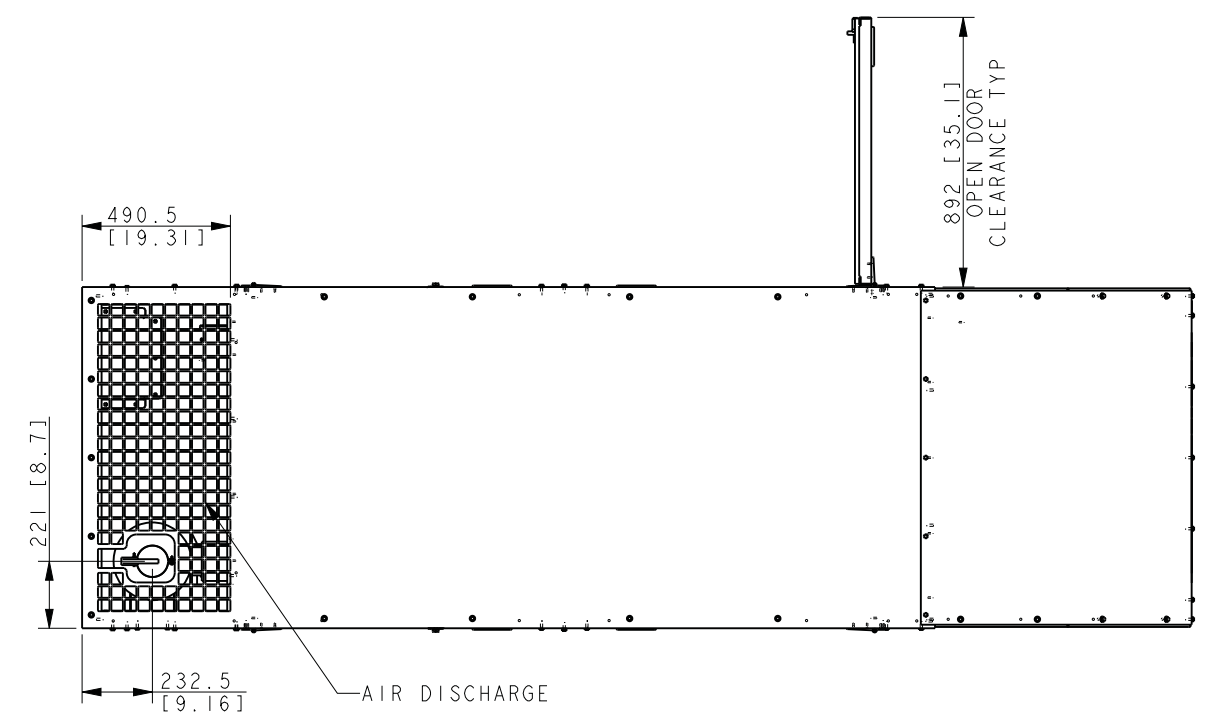
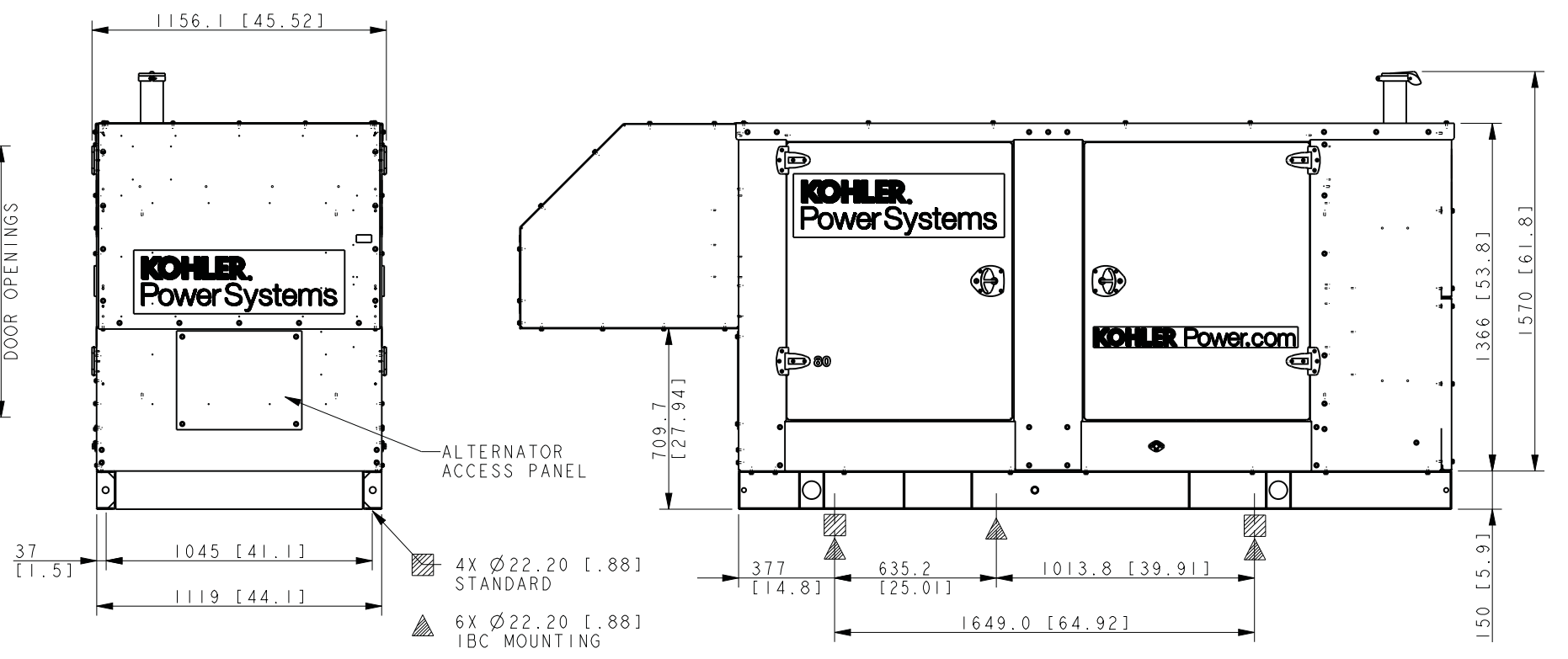
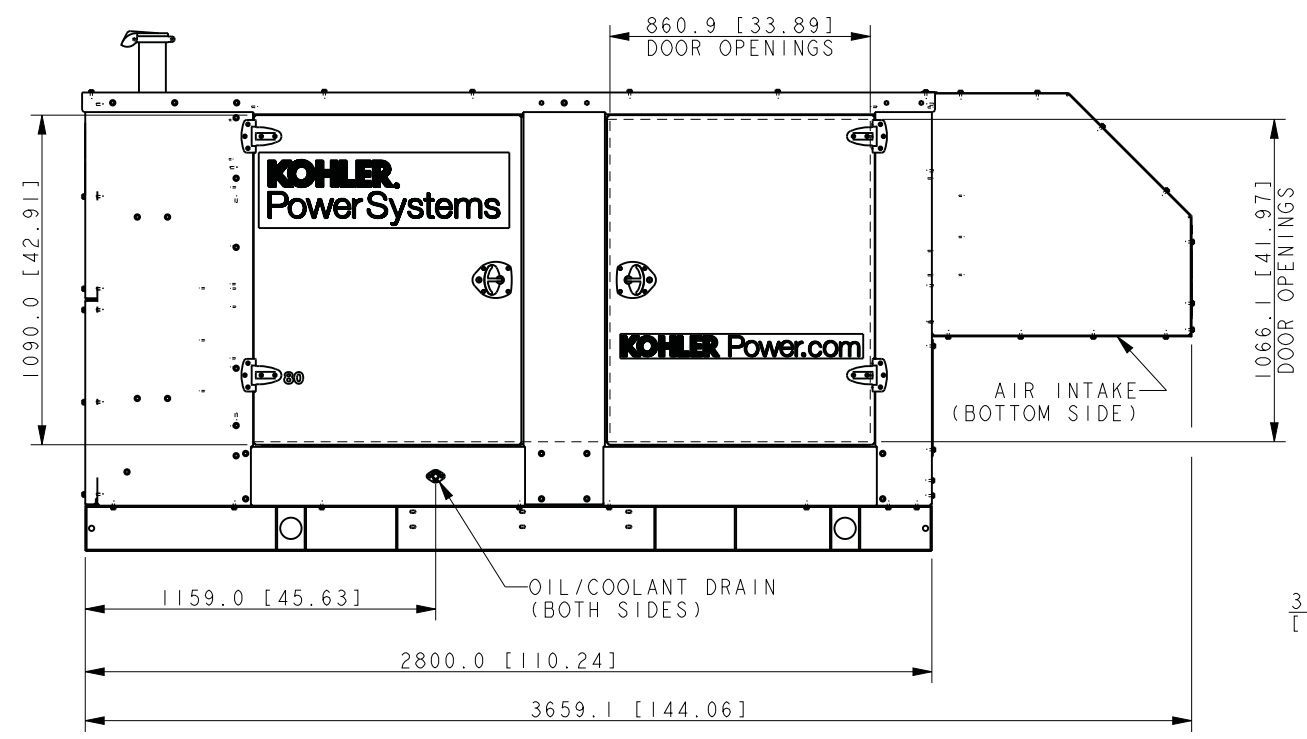


MODEL	ENCLOSURE WEIGHT KG [LBS]
ALUMINIUM SOUND	200 [440]



NOTE:
 1. IF TANK IS ORDERED, ENCLOSURE MOUNTS DIRECTLY TO TANK
 2. TANK MAY EXTEND BEYOND ENCLOSURE (DISCHARGE END ONLY)



80 MODEL 457, 459, 4V9, 4P10X, 4R9X, 4T9X
 100 MODEL 459, 4S11, 4V11, 4R9X, 4R12X, 4T12X
 RECONNECTABLE
 IMPROVE MOTOR STARTING (IMS) RECONNECTABLE
 600V & 1 PHASE ALTERNATORS
 4045HF285 JOHN DEERE TIER III

REV	DATE	ON COMPOSITE DWGS. SEE PART NO. FOR REVISION LEVEL	BY
-	11-28-14	NEW DRAWING [CT84003]	SDS
A	04-14-15	[D-1] ENCLOSURE WEIGHT 200(440) WAS 279(615) [CT110687]	KBS

KOHLER CO. METRIC PRO-E
 POWER SYSTEMS, KOHLER, WI 53044 U.S.A.
 THIS DRAWING IN DESIGN AND DETAIL IS KOHLER CO. PROPERTY AND MUST NOT BE USED EXCEPT IN CONNECTION WITH KOHLER CO. WORK. ALL RIGHTS OF DESIGN OR INVENTION ARE RESERVED.

TITLE: **DIMENSION PRINT**

SCALE 0.08 CAD NO. SHEET 1 of 1
 DWG NO. **ADV-8735** D