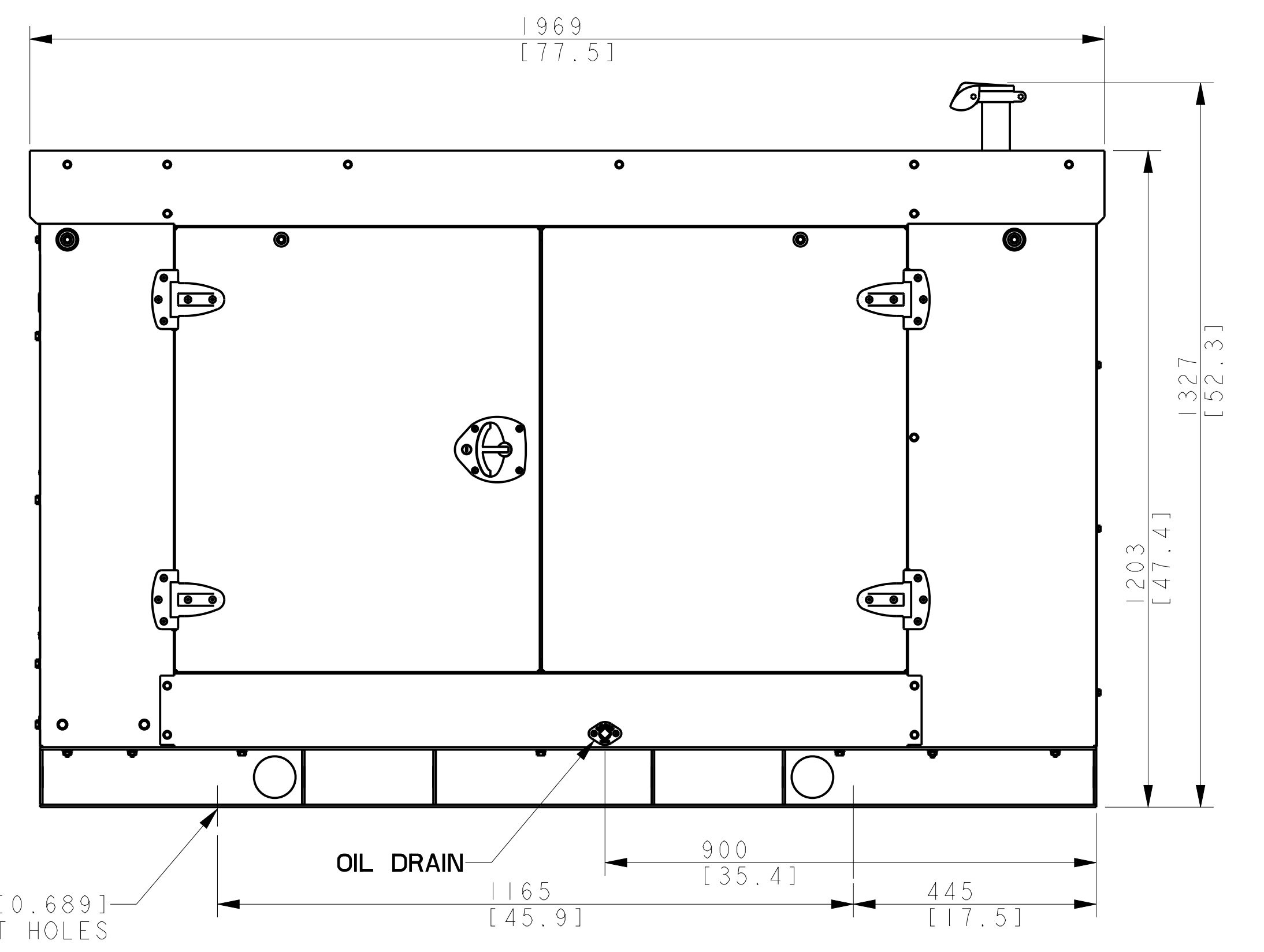
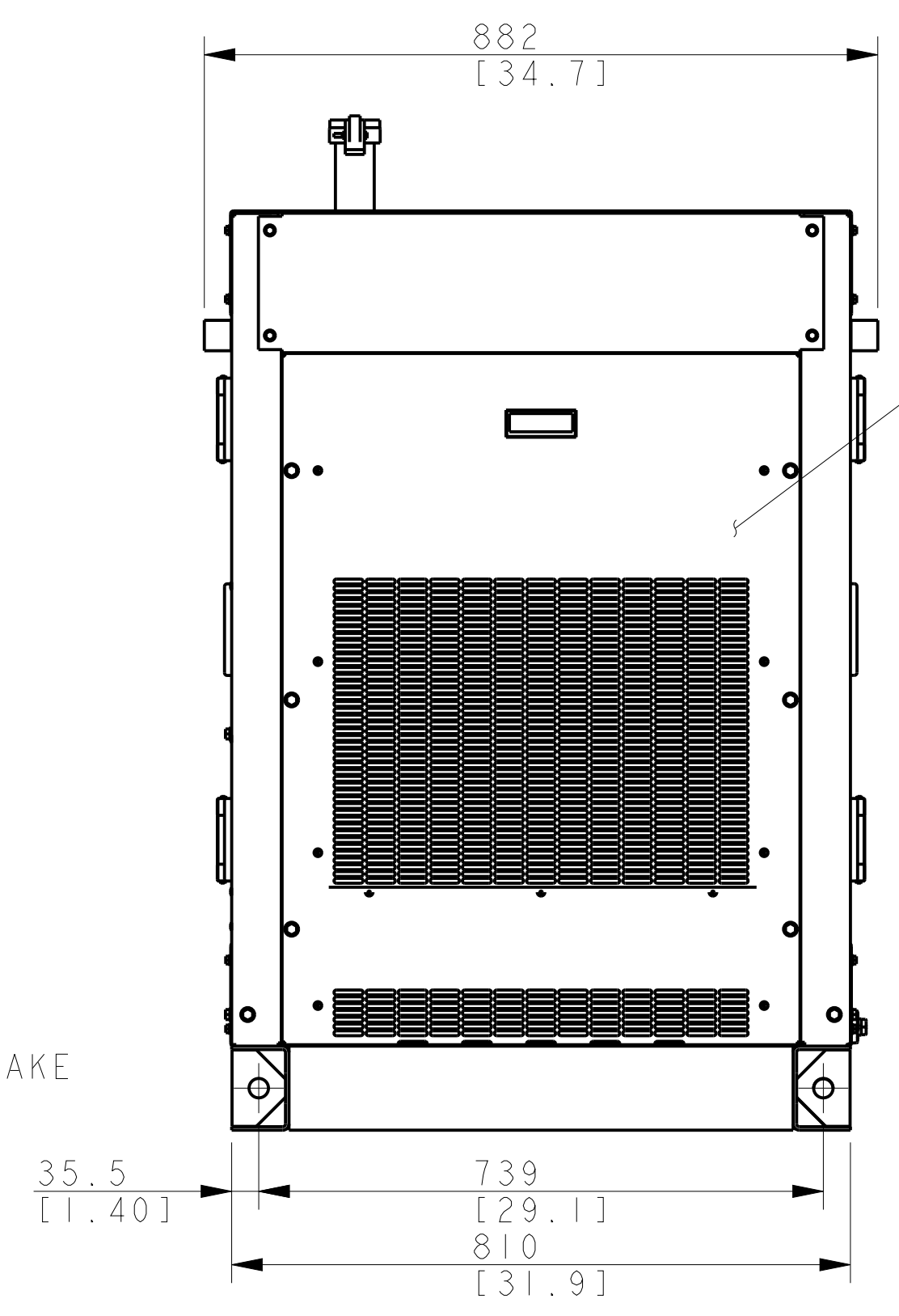
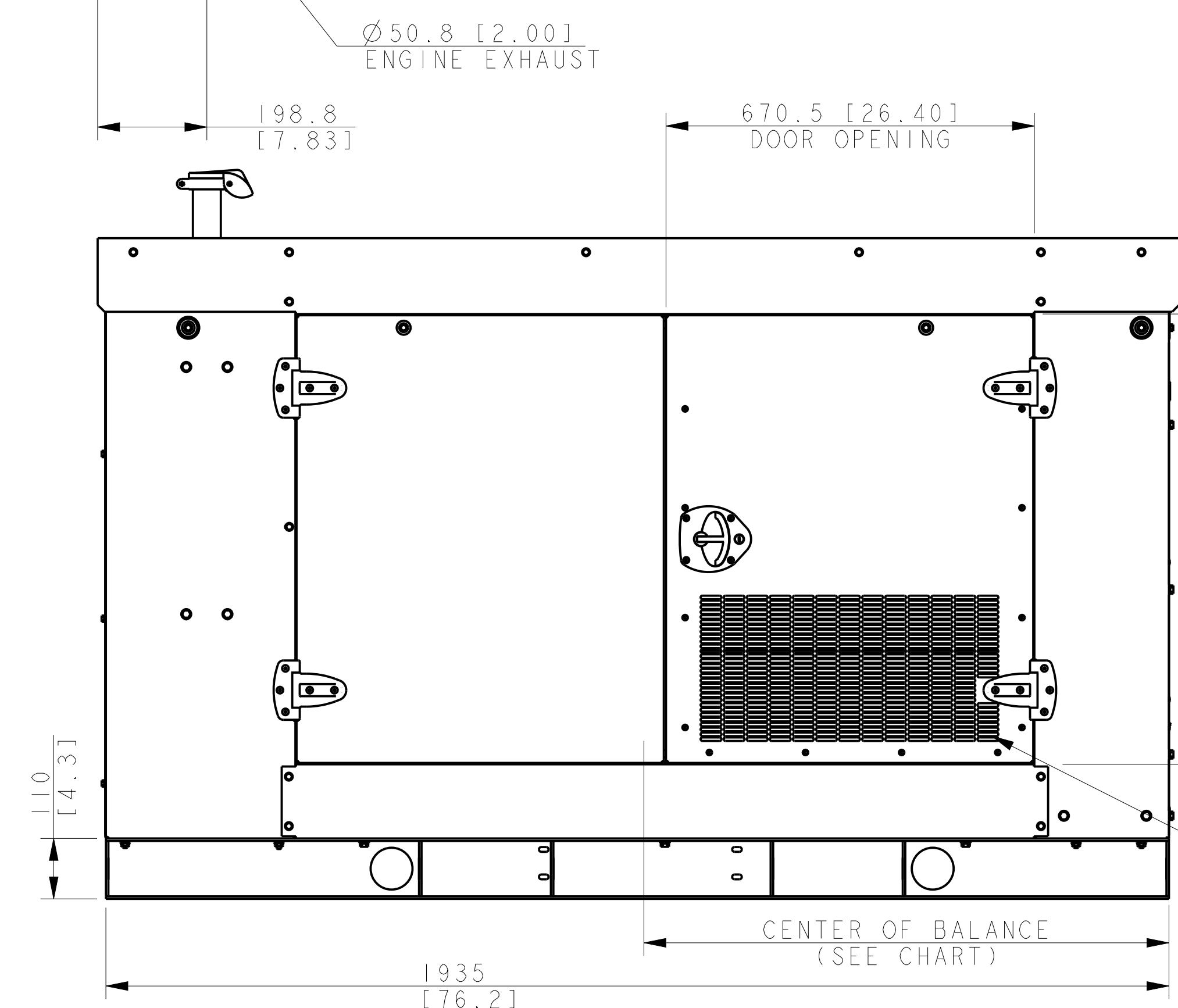
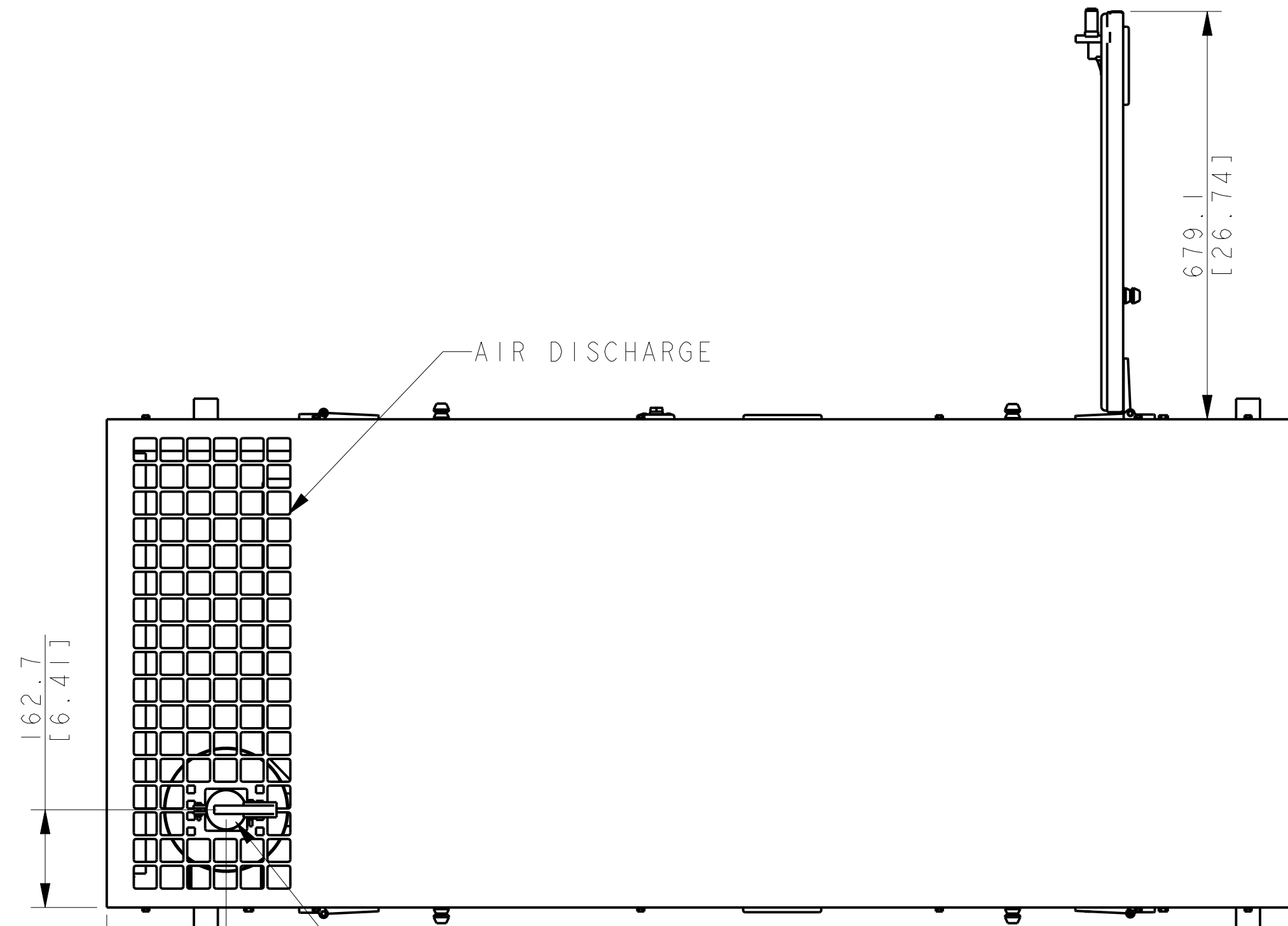


MODEL	ENCLOSURE WEIGHT KG [LBS]	ENCLOSURE CENTER OF BALANCE
STEEL WEATHER, 30KW	168 [370]	1105 [43.50]
STEEL SOUND, 30KW	177 [390]	1105 [43.50]
ALUMINUM SOUND, 30KW	112 [248]	1105 [43.50]



DIMENSIONS IN [] ARE ENGLISH EQUIVALENTS

NOTE:
 1. IF TANK IS ORDERED, ENCLOSURE MOUNT DIRECTLY TO TANK.
 2. TANK MAY EXTEND BEYOND ENCLOSURE (DISCHARGE END ONLY)

30 KW MODEL 4D56/4D83
 RECON. & 600V ALTERNATORS
 KOHLER DIESEL KDI 2504TM

REV	DATE	ON COMPOSITE DWGS. SEE PART NO. FOR REVISION LEVEL	BY
-	4-16-14	NEW DRAWING [CT78254]	CCL
A	9-23-17	(C-8) DIM. Ø50.8 [2.00] ADDED [CT177004]	SRM

UNLESS OTHERWISE SPECIFIED -
 1) DIMENSIONS ARE IN MILLIMETERS
 2) TOLERANCES ARE:
 X.XX ± 0.25
 X.X ± 1.0
 X ± 1.5
 ANGLES ± 0° 30' MAX.

KOHLER CO. METRIC PRO-E
 POWER SYSTEMS, KOHLER, WI 53044 U.S.A.
 THIS DRAWING IN DESIGN AND DETAIL IS KOHLER CO. PROPERTY AND MUST NOT BE USED EXCEPT IN CONNECTION WITH KOHLER CO. WORK. ALL RIGHTS OF DESIGN OR INVENTION ARE RESERVED.

TITLE: **DIMENSION PRINT, ENCL. 30 KW KDI**

SCALE: 0.13 CAD NO. SHEET 1 of 1

DWG NO.: **ADV-8705**

APPROVALS	DATE
DRAWN CCL	4-16-14
CHECKED CCL	4-16-14
APPROVED BMK	4-16-14