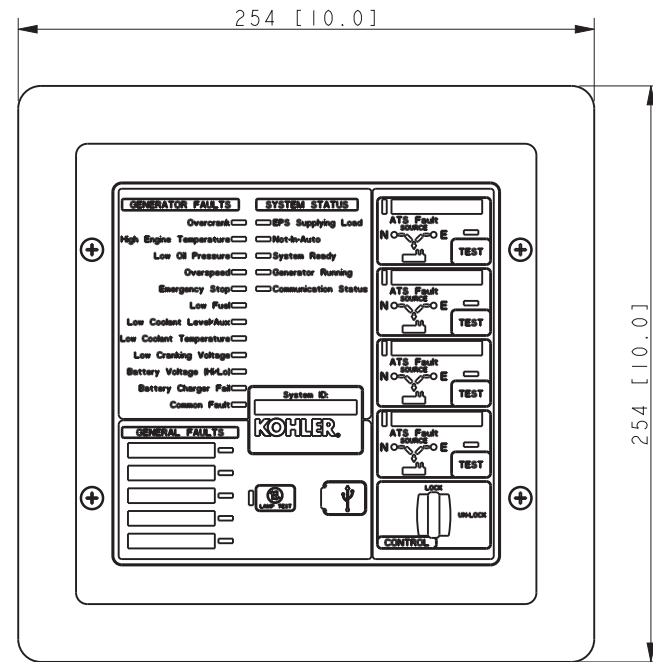
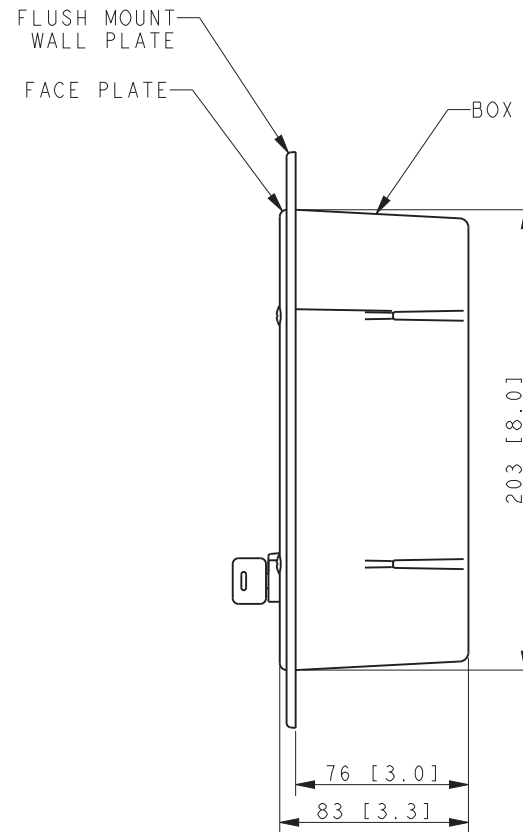


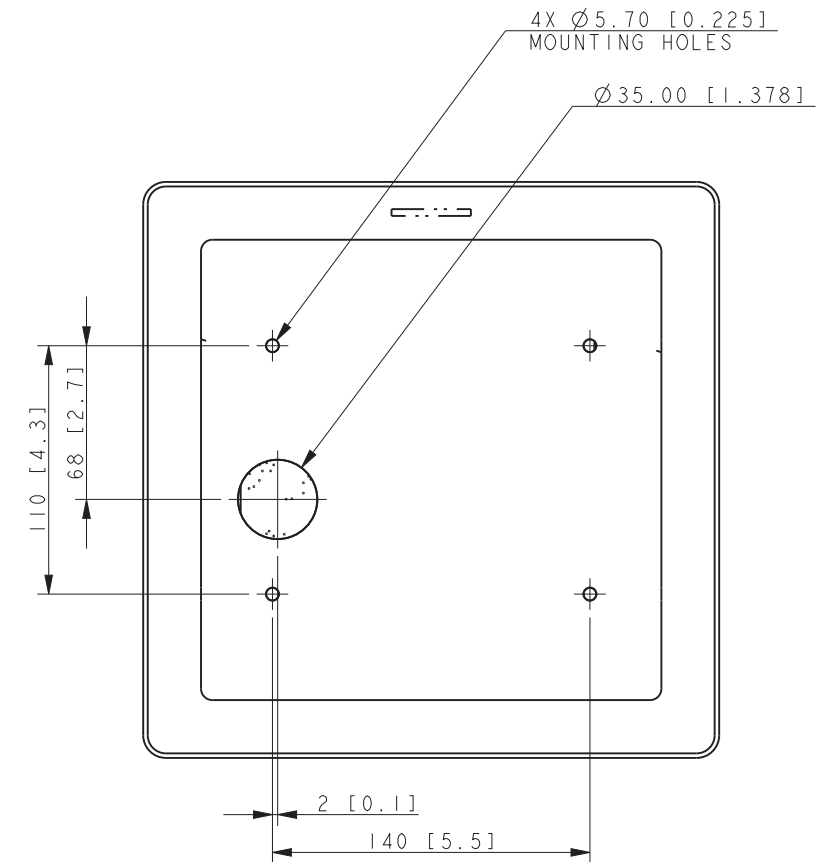
MULTIPLE ATS
FRONT VIEW
WITHOUT FLUSH MOUNT SHOWN



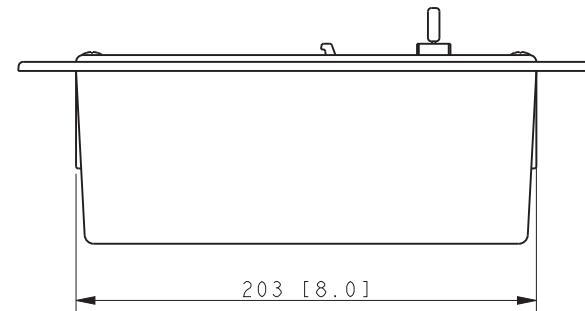
MULTIPLE ATS
FRONT VIEW WITH
FLUSH MOUNT SHOWN



SIDE VIEW
WITH
FLUSH MOUNT SHOWN



BACK VIEW
WITH
FLUSH MOUNT SHOWN



BOTTOM VIEW
WITH
FLUSH MOUNT SHOWN

REMOTE SERIAL ANNUNCIATOR

| REV | DATE | ON COMPOSITE DWGS. SEE PART NO. FOR REVISION LEVEL | BY | DO NOT SCALE. REFERENCE THE MODEL FOR ALL UNSPECIFIED DIMENSIONS |
|-----|--------|--|-----|---|
| - | 7-7-21 | NEW DRAWING [CT213166] | ZHK | UNLESS OTHERWISE SPECIFIED: ALL DIMENSIONS IN MILLIMETERS GENERAL TOLERANCES: X.XX ± 0.25 X.X ± 1.0 SURFACE FINISH X ± 1.5 ANGLES ± 0°30' MAX. THIRD ANGLE PROJECTION |
| | | | | KOHLER. KOHLER, WISCONSIN 53044 THIS DRAWING IN DESIGN AND DETAIL IS KOHLER CO. PROPERTY AND MUST NOT BE USED EXCEPT IN CONNECTION WITH KOHLER CO. WORK. ALL RIGHTS OF DESIGN OR INVENTION ARE RESERVED. |
| | | | | TITLE DIMENSION PRINT |
| | | | | SCALE 0.35 CAD NO. SHEET 1 of 1 |
| | | | | DWG NO. ADV-8661 |
| | | | | APPROVALS DATE DRAWN ZHK 6-29-21 CHECKED MTL 6-29-21 APPROVED MTL 6-29-21 |