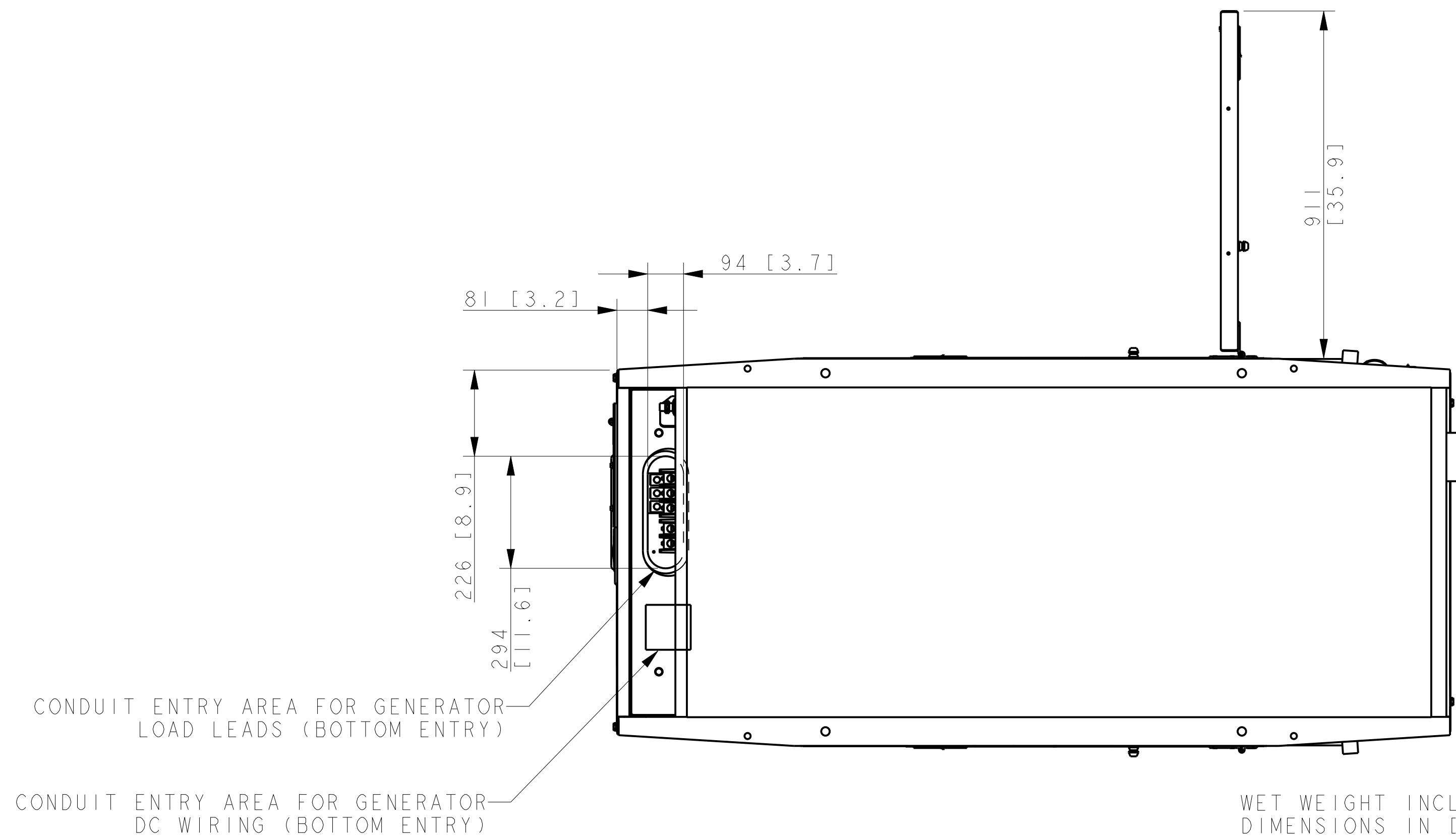
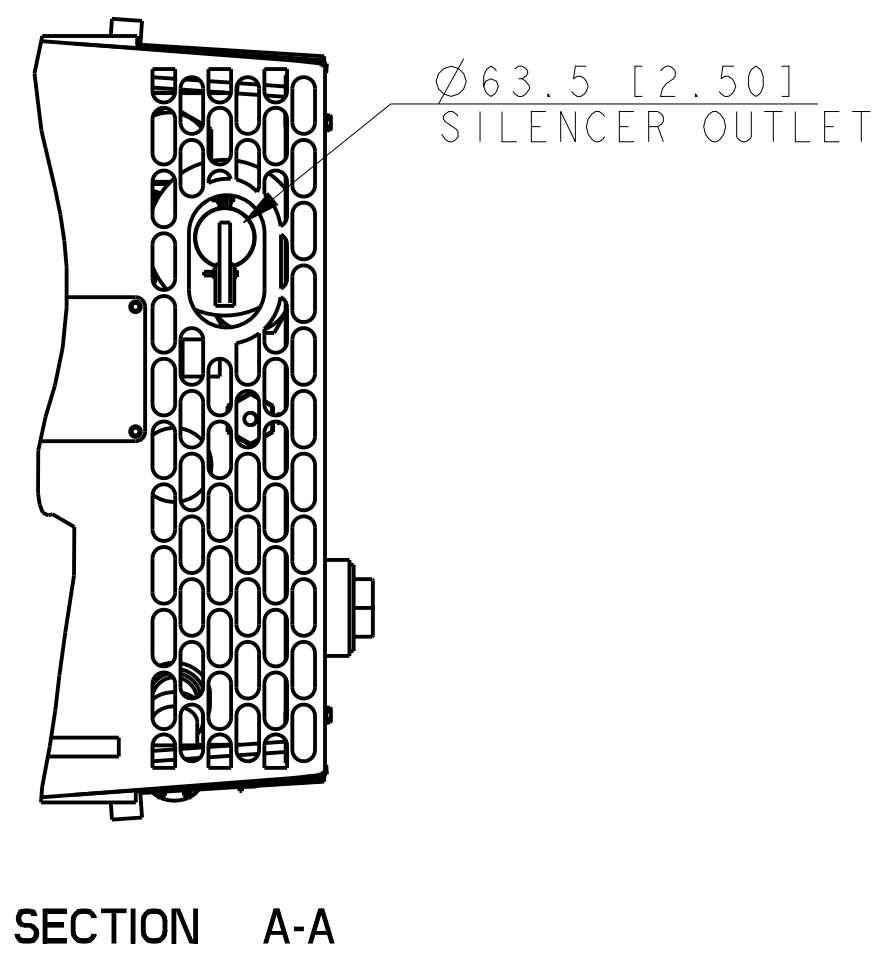
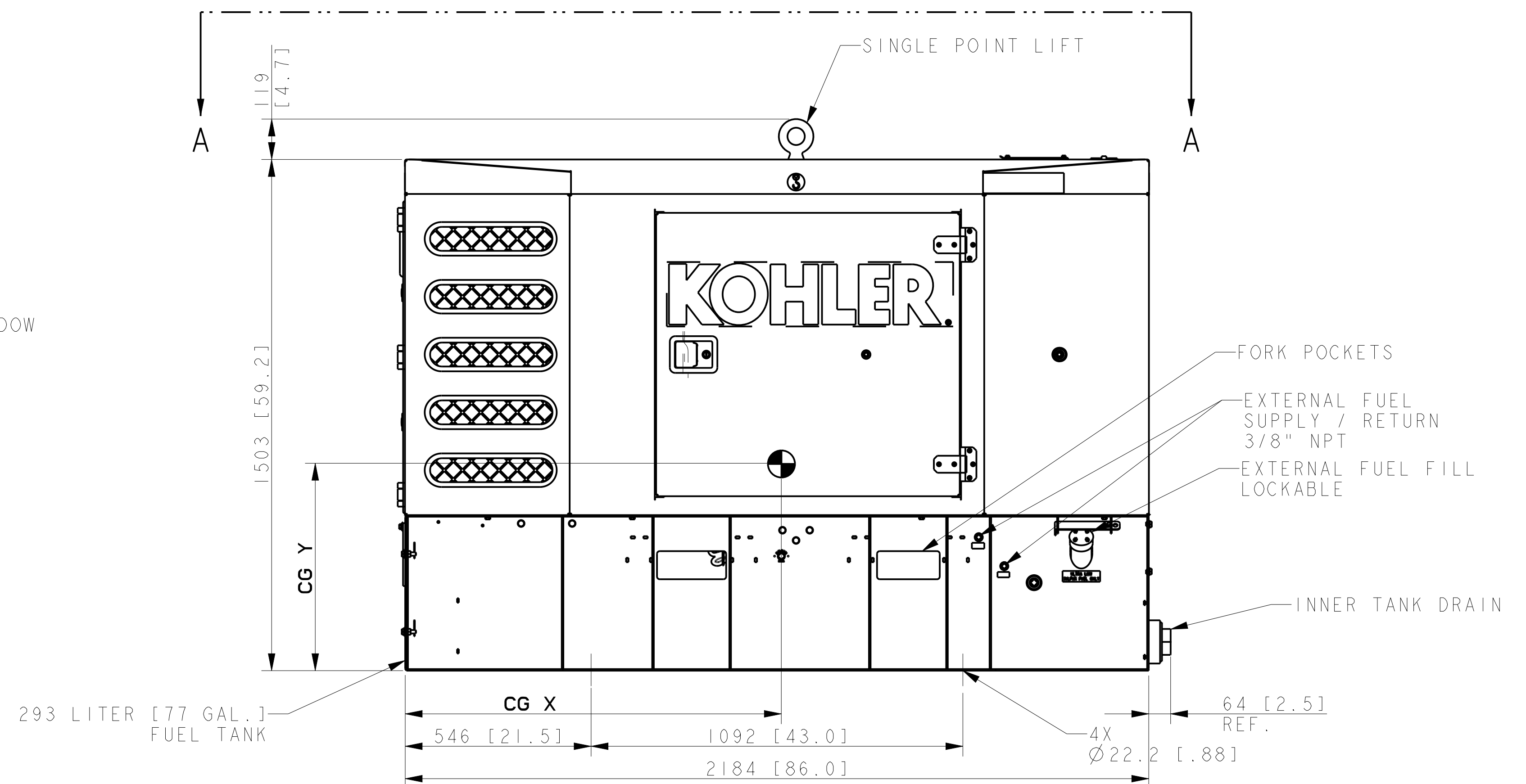
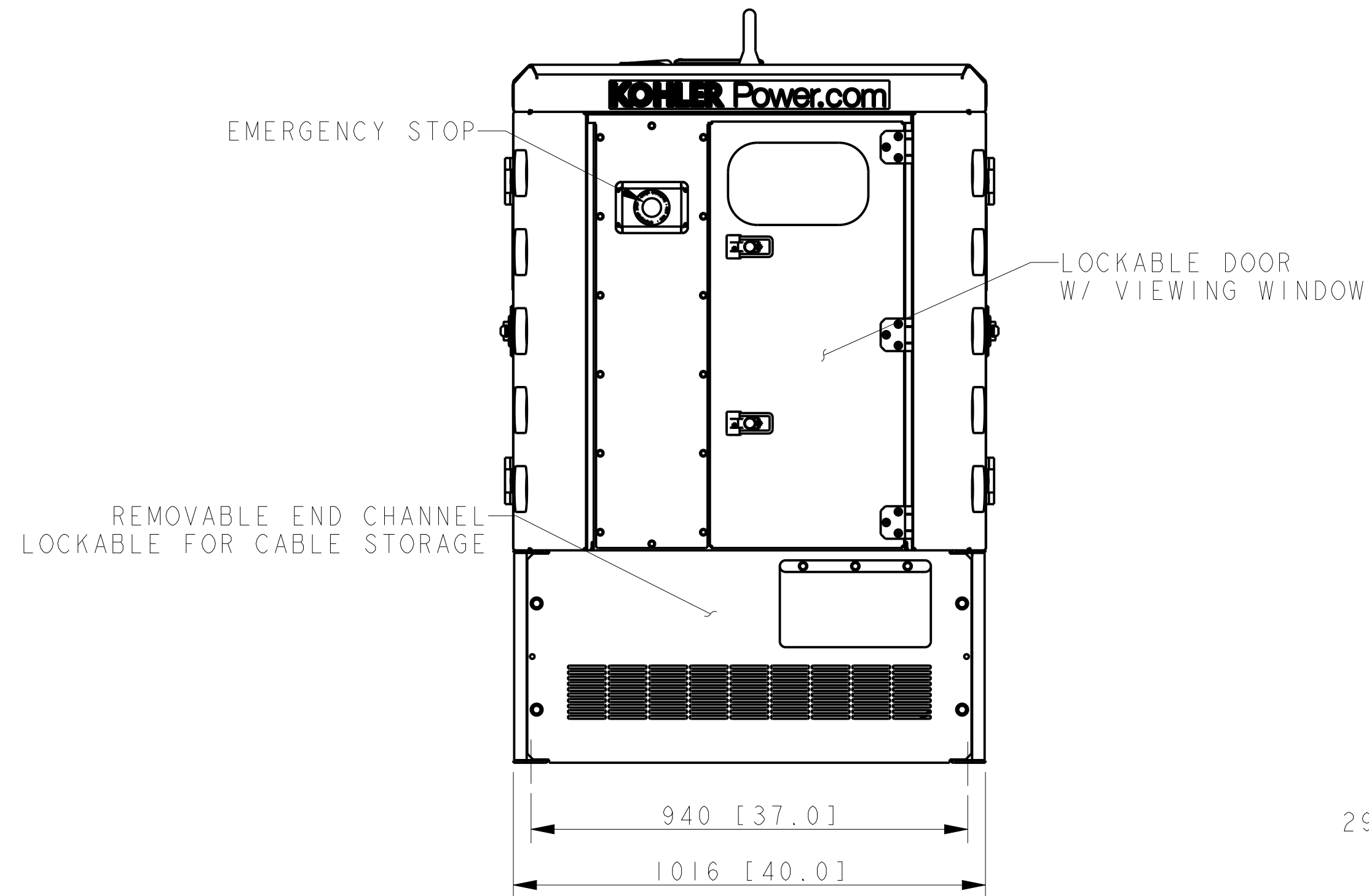


| CENTER OF GRAVITY DIMENSIONS | | WEIGHT DRY KG [LBS] | WEIGHT WET KG [LBS] |
|------------------------------|-------------|------------------------|------------------------|
| MODEL | CG X | CG Y | |
| 30 REOZK4 | 1118 [44.0] | 610 [24.0] | 1374 [3030] |
| 40 REOZK4 | 1105 [43.5] | 610 [24.0] | 1420 [3130] |



WET WEIGHT INCLUDES ENGINE FLUIDS, EXCLUDING FUEL WEIGHT. DIMENSIONS IN [] ARE ENGLISH EQUIVALENTS

| REV | DATE | ON COMPOSITE DWGS. SEE PART NO. FOR REVISION LEVEL | BY | UNLESS OTHERWISE SPECIFIED - 1) DIMENSIONS ARE IN MILLIMETERS 2) TOLERANCES ARE: | SURFACE FINISH | |
|-----|---------|--|-----|--|----------------|--------|
| - | 8-5-13 | NEW DRAWING [CT54302] | DJV | X.XX ± | MAX. | |
| A | 9-23-17 | (B-7) VIEW ADDED [CT177004] | SRM | X.X ± | | |
| | | | | X ± | | |
| | | | | ANGLES ± | | |
| | | | | THIRD ANGLE PROJECTION | | |
| | | | | APPROVALS | DATE | |
| | | | | DRAWN | DJV | 8-5-13 |
| | | | | CHECKED | DJV | 8-5-13 |
| | | | | APPROVED | JDZ | 8-5-13 |

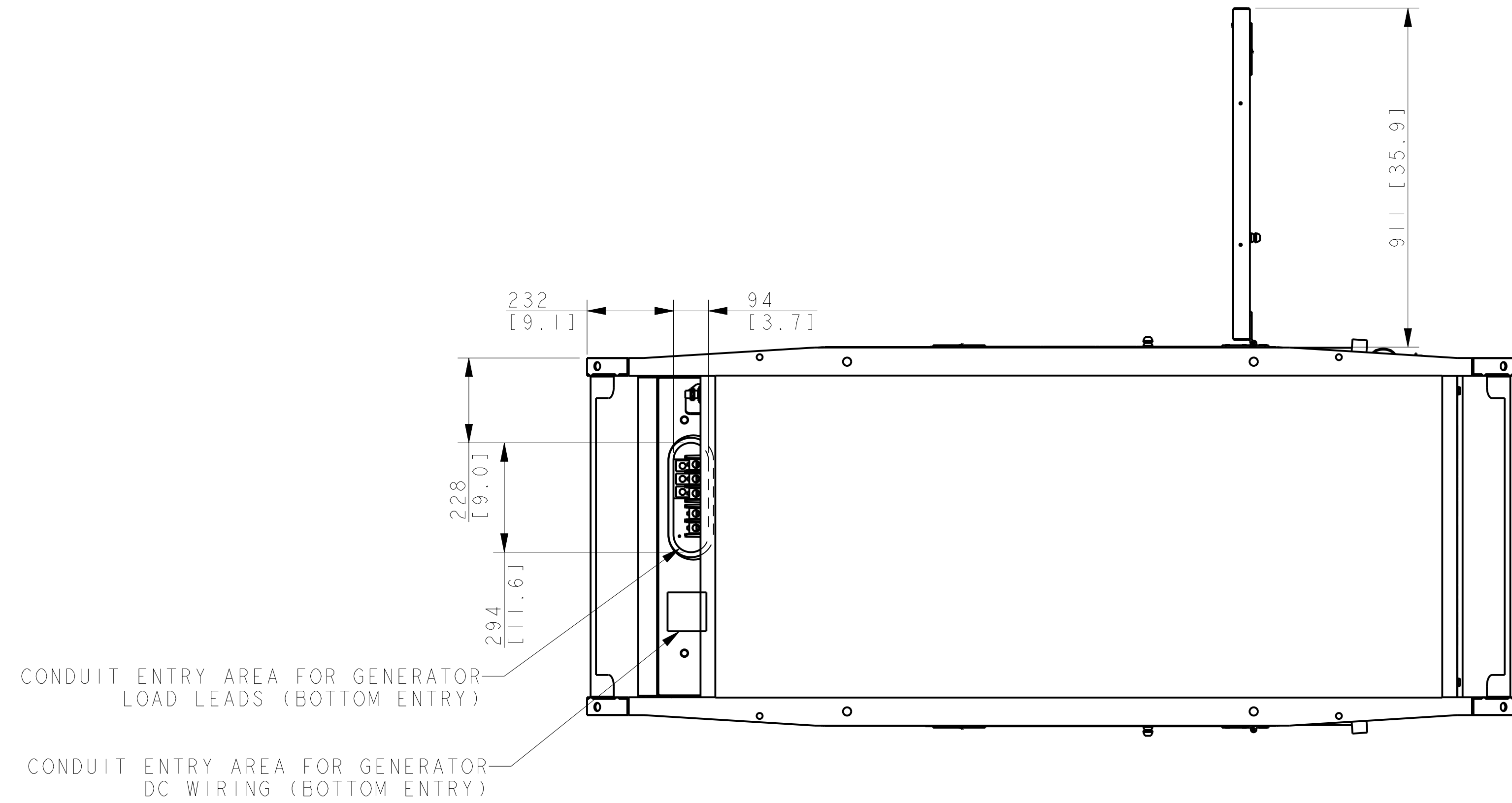
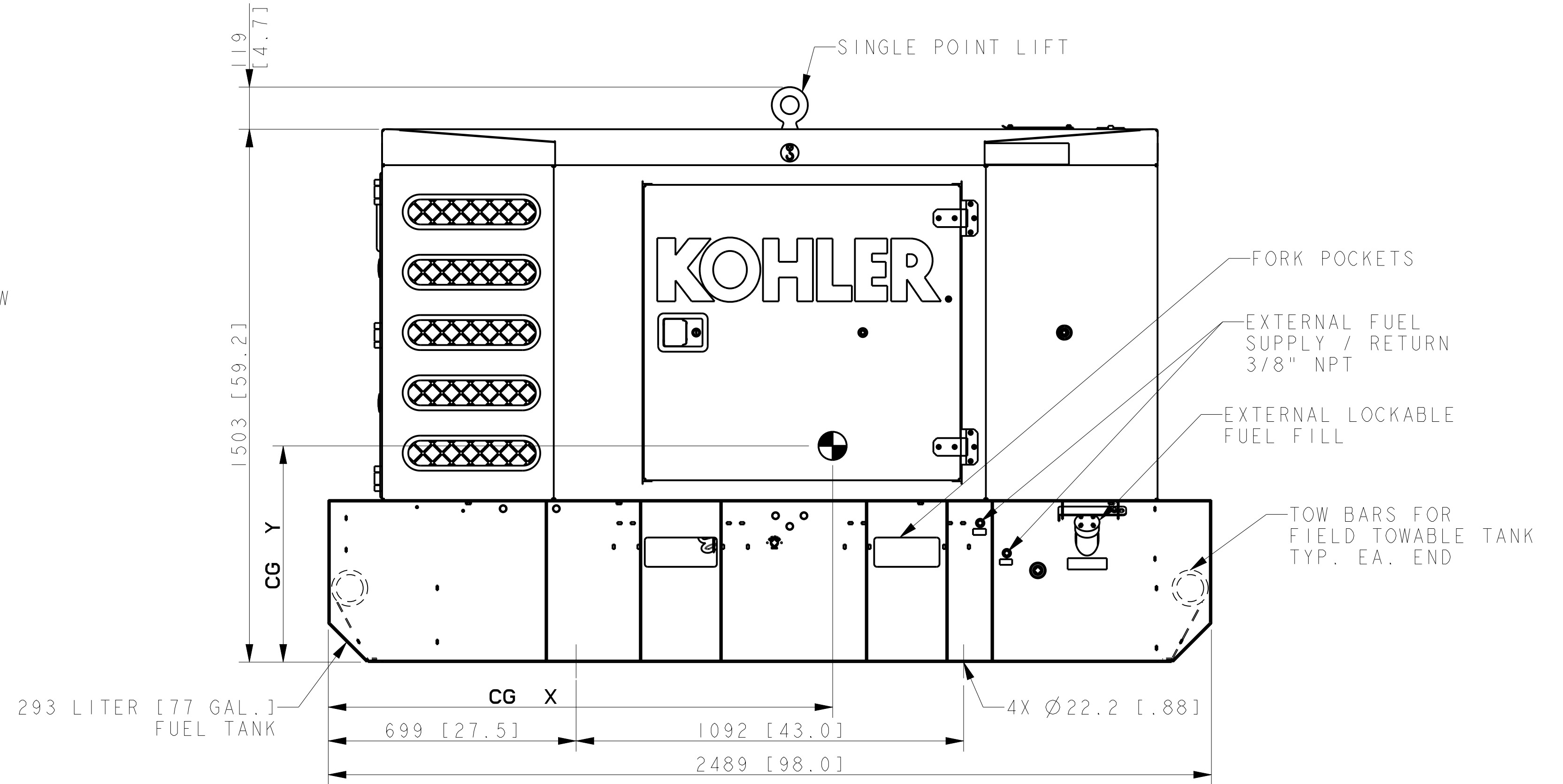
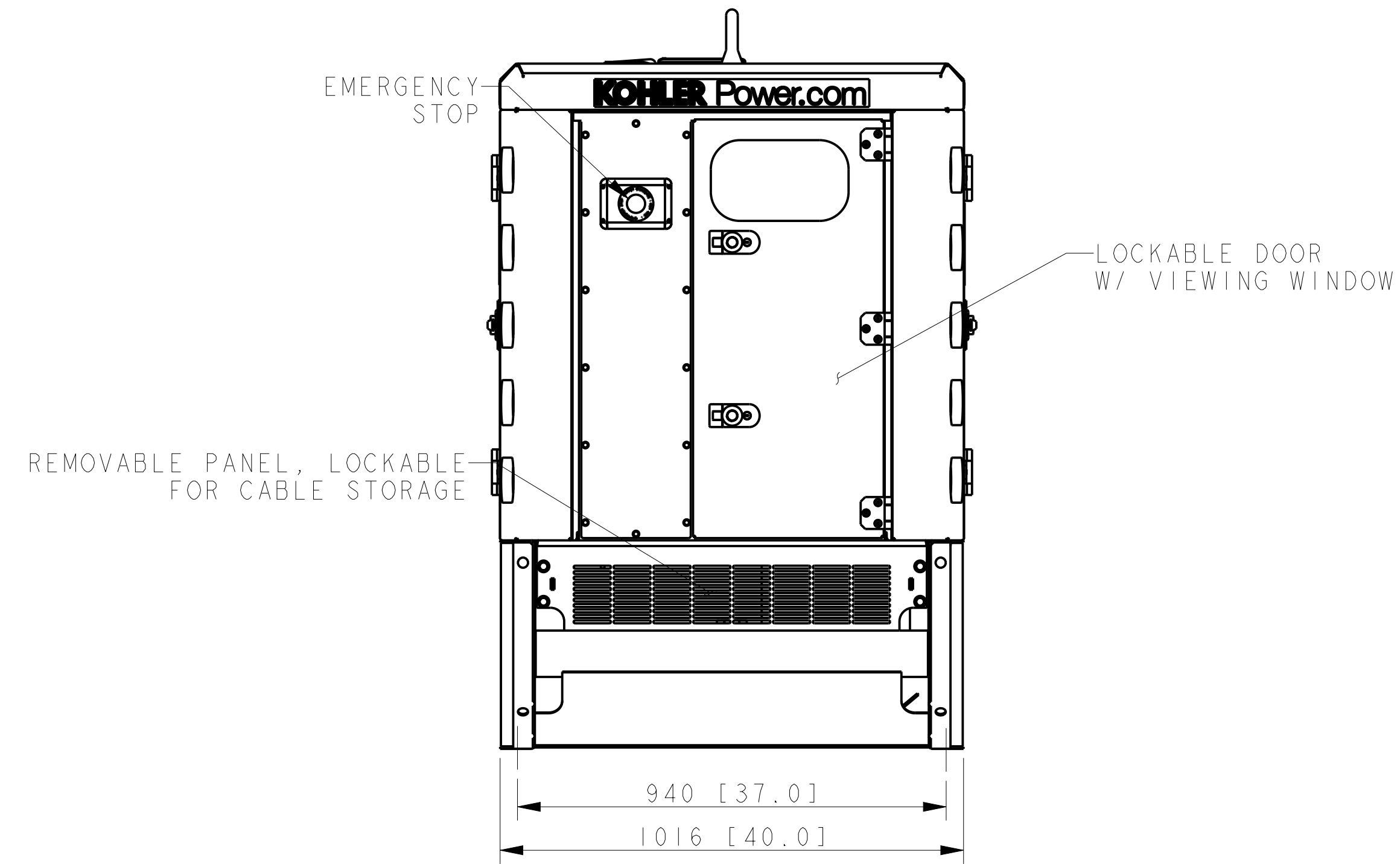
KOHLER CO. METRIC PRO-E
 POWER SYSTEMS, KOHLER, WI 53044 U.S.A.
 THIS DRAWING IN DESIGN AND DETAIL IS KOHLER CO. PROPERTY AND MUST NOT BE USED EXCEPT IN CONNECTION WITH KOHLER CO. WORK. ALL RIGHTS OF DESIGN OR INVENTION ARE RESERVED.

TITLE: **DIMENSION PRINT, 30-40 REOZK4**

SCALE: 0.10 CAD NO. SHEET 1 of 2
 DWG NO. **ADV-8630**

STANDARD TOWABLE
30/40 REOZK4

| CENTER OF GRAVITY DIMENSIONS | | | WEIGHT DRY KG [LBS] | WEIGHT WET KG [LBS] |
|------------------------------|--------------|------------|------------------------|------------------------|
| MODEL | CG X | CG Y | | |
| 30 REOZK4 | 1422 [55.97] | 610 [24.0] | 1438 [3170] | 1461 [3220] |
| 40 REOZK4 | 1422 [55.97] | 610 [24.0] | 1483 [3270] | 1506 [3320] |



WET WEIGHT INCLUDES ENGINE FLUIDS, EXCLUDING FUEL WEIGHT. DIMENSIONS IN [] ARE ENGLISH EQUIVALENTS

| REV | DATE | ON COMPOSITE DWGS. SEE PART NO. FOR REVISION LEVEL | BY | UNLESS OTHERWISE SPECIFIED - 1) DIMENSIONS ARE IN MILLIMETERS 2) TOLERANCES ARE: |
|-----|---------|--|-----|--|
| - | 9-30-13 | NEW DRAWING [CT54302] | DJV | X.XX ± |
| A | 9-23-17 | SEE SHEET 1 [CT177004] | SRM | X.X ± |
| | | | | ANGLES ± |
| | | | | SURFACE FINISH |
| | | | | MAX. |
| | | | | THIRD ANGLE PROJECTION |
| | | | | APPROVALS |
| | | | | DATE |
| | | | | DRAWN |
| | | | | DATE |
| | | | | CHECKED |
| | | | | DATE |
| | | | | APPROVED |
| | | | | DATE |

| | | |
|--|-----------------|--------------|
| KOHLER CO. | METRIC | PRO-E |
| POWER SYSTEMS, KOHLER, WI 53044 U.S.A. | | |
| THIS DRAWING IN DESIGN AND DETAIL IS KOHLER CO. PROPERTY AND MUST NOT BE USED EXCEPT IN CONNECTION WITH KOHLER CO. WORK. ALL RIGHTS OF DESIGN OR INVENTION ARE RESERVED. | | |
| TITLE | | |
| DIMENSION PRINT, 30-40 REOZK4 | | |
| SCALE 0.10 | CAD NO. | SHEET 2 of 2 |
| DWG NO. | ADV-8630 | D |

FIELD STATIONARY
30/40 REOZK4