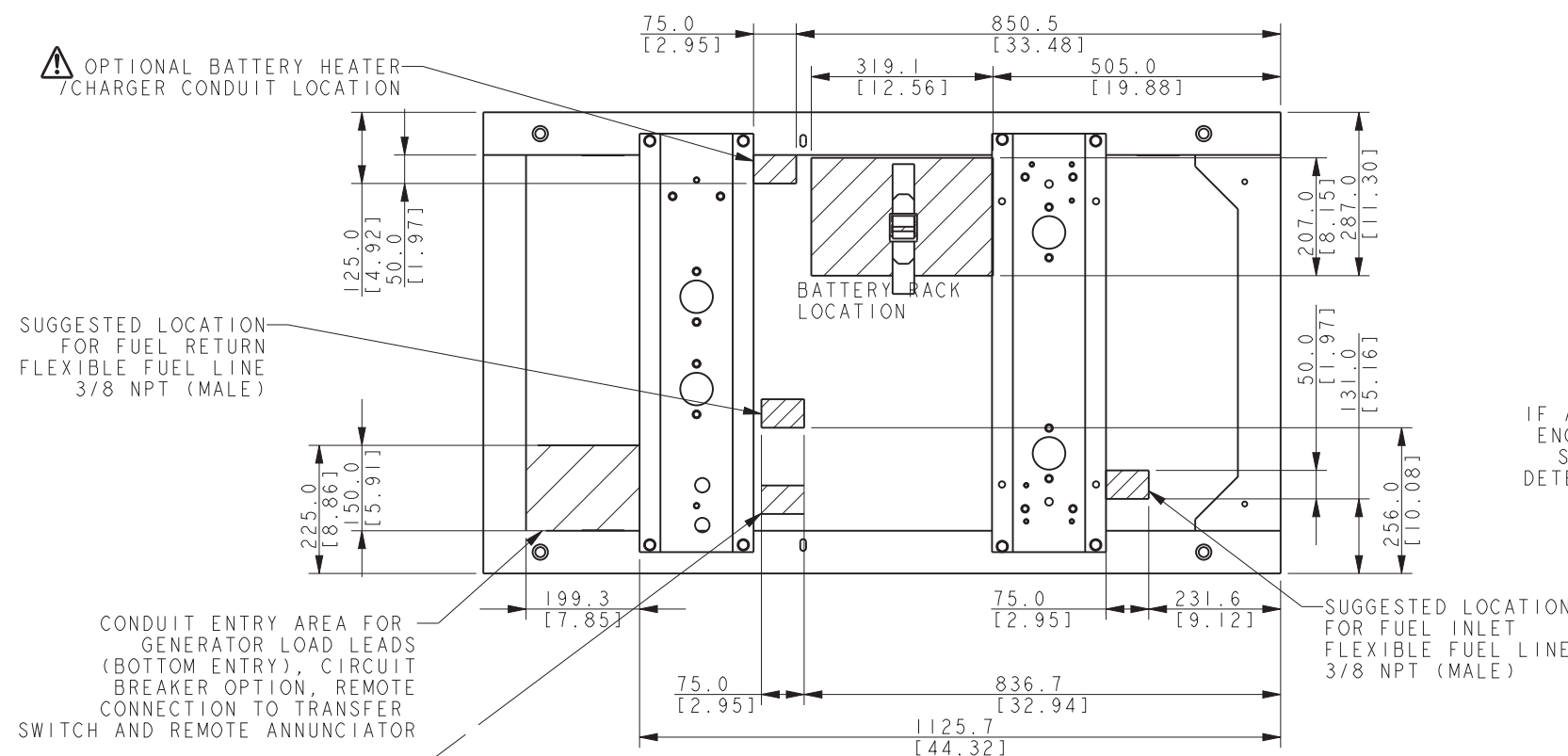
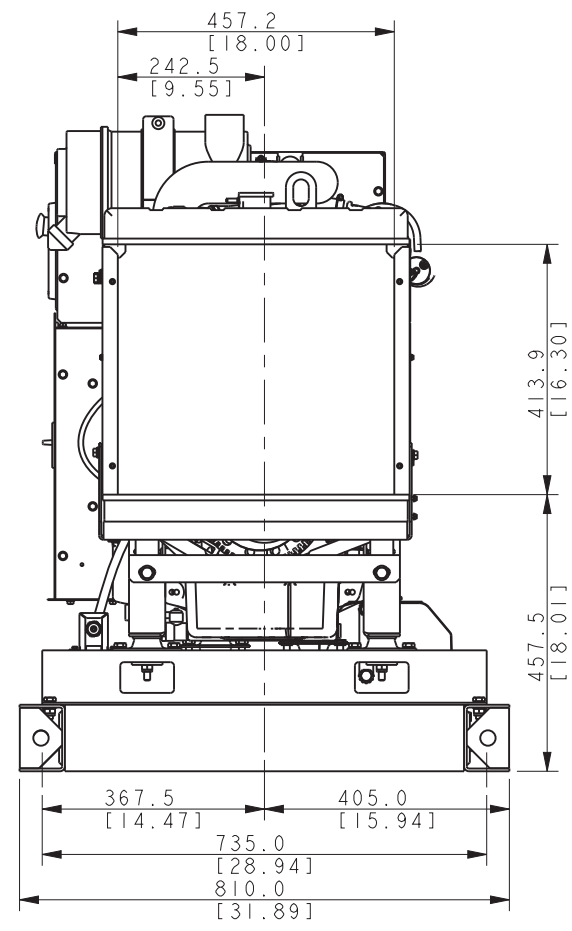
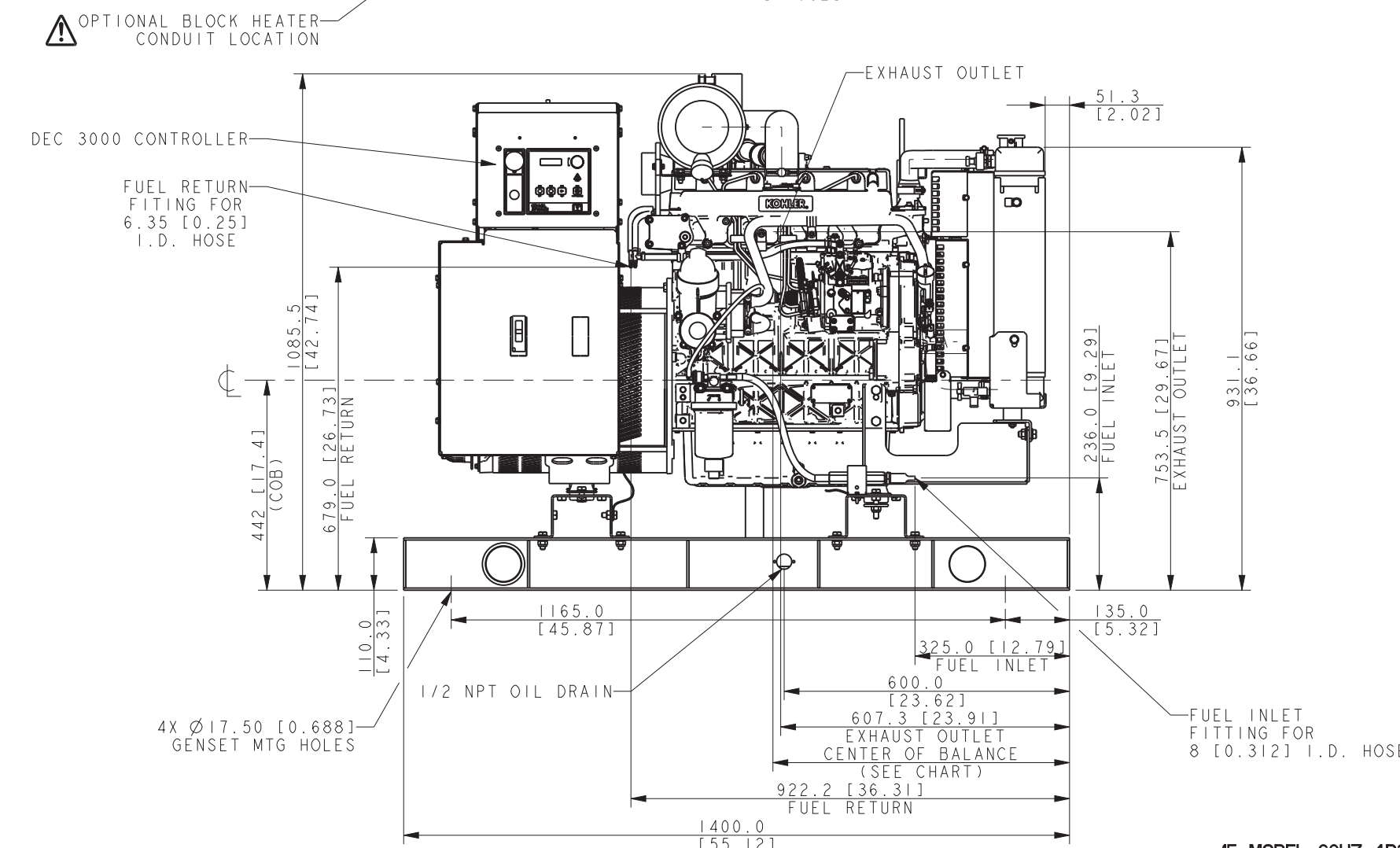
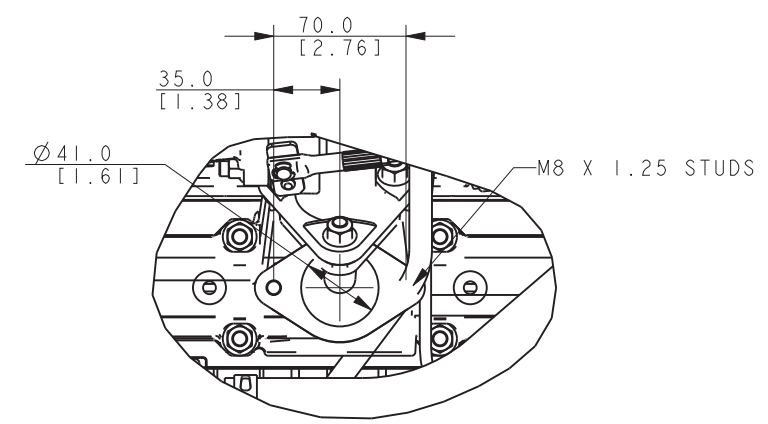


MODEL	COB OPEN	GENSET WEIGHT (WET)
15 4D3.1	665 [26.20]	411 Kg [907 LBS.]
15 4D3.8		422 Kg [930 LBS.]
15 4D5.0	665 [26.20]	445 Kg [981 LBS.]
15 4D5.6		455 Kg [1003 LBS.]
20 4D3.8	735 [29.00]	442 Kg [974 LBS.]
20 4D5.0		458 Kg [1010 LBS.]
20 4D5.6	735 [29.00]	470 Kg [1036 LBS.]
20 4D8.3		520 Kg [1146 LBS.]



INSTALLATION NOTE:
IF A SUBBASE FUEL TANK AND/OR ENCLOSURE IS USED, REFER TO SUBBASE FUEL TANK ADV TO DETERMINE MOUNTING LOCATIONS.



ENCLOSURES AVAILABLE WITH 1935 [76.2 IN] SKID ONLY.

- NOTES:**
- WHEN SUBBASE TANK IS USED, CONDUIT MUST BE LOCATED OUTSIDE OF TANK AREA OR IN STUB-UP AREA FOR SUBBASE TANK. REFER TO SUBBASE ADV.
 - DIMENSIONS IN [] ARE ENGLISH EQUIVALENTS.
 - IF AN ENCLOSURE IS USED, THE FUEL LINE MUST BE STUBBED UP FROM DIRECTLY UNDER THE UNIT OR BROUGHT IN FROM THE END OF THE SKID. REFER TO ENCLOSURE ADV.

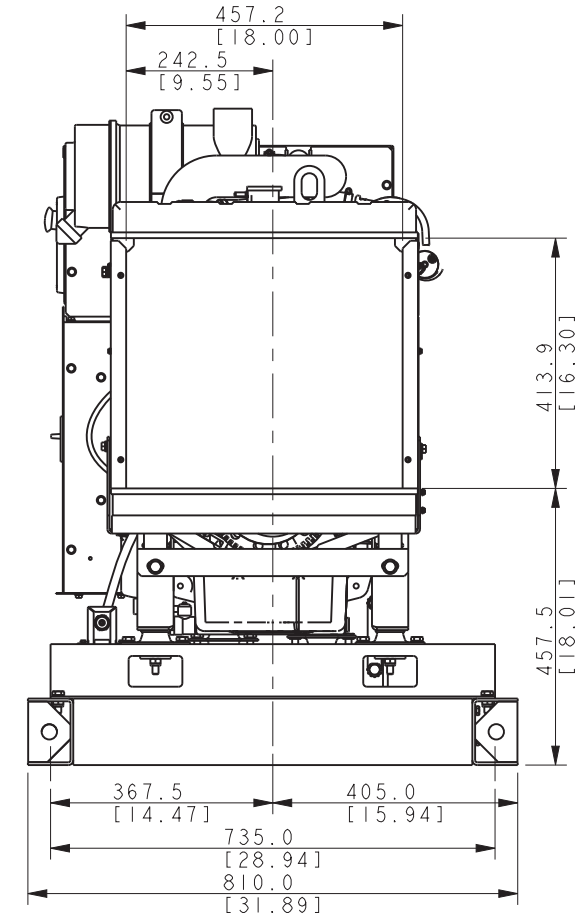
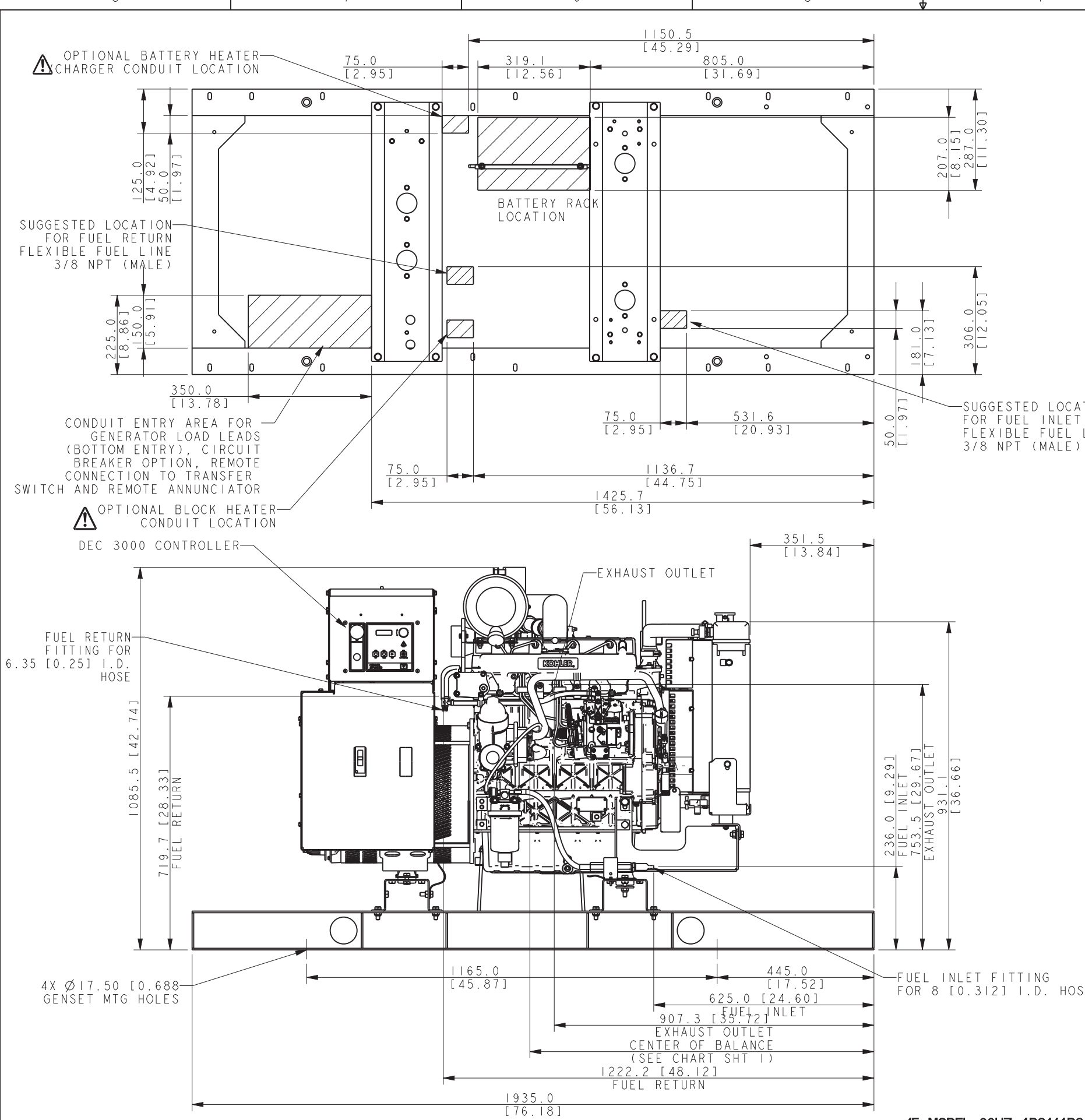
**15 MODEL 60HZ 4D3.1/4D3.8
20 MODEL 60HZ 4D3.8/4D5.0
RECON. & 600V ALTERNATORS
KOHLER DIESEL 2504M**

REV	DATE	ON COMPOSITE DWGS. SEE PART NO. FOR REVISION LEVEL	BY	UNLESS OTHERWISE SPECIFIED - 1) DIMENSIONS ARE IN MILLIMETERS 2) TOLERANCES ARE:
-	8-15-13	NEW DRAWING [CT66455]	CEK	X.XX ± 0.25
A	3-3-14	(B-8) 1085.5 WAS 1024.1, UPDATED VIEW [CT73347]	CEK	X.X ± 1.0
B	06-19-14	(B-8) 6.35 WAS 8, SEE SHEET 2 AND 3 [CT84991]	KNN	ANGLES ± 0° 30' MAX.
C	5-20-15	(A-4) KOHLER DIESEL WAS LOMBARDINI [CT110915]	SAM	
D	7-2-15	(D-2) 15 4D5.0, 15 4D5.6, 20 4D5.6 & 20 4D8.3 ADDED IN TABLE [CT116814]	SVP	THIRD ANGLE PROJECTION
E	7-20-18	(B-8) CRANK CENTRE AXIS & DIM 441 ADDED [CT188707]	ADP	APPROVALS
F	12-18-19	(B-6) VIEW UPDATED [CT200685]	RRT	DATE
			CEK	8-15-13
			BMK	8-15-13

KOHLER CO. METRIC PRO-E
POWER SYSTEMS, KOHLER, WI 53044 U.S.A.
THIS DRAWING IN DESIGN AND DETAIL IS KOHLER CO. PROPERTY AND MUST NOT BE USED EXCEPT IN CONNECTION WITH KOHLER CO. WORK. ALL RIGHTS OF DESIGN OR INVENTION ARE RESERVED.

TITLE
DIMENSION PRINT 20KW KDI

SCALE 0.18 CAD NO. SHEET 1 of 3
DWG NO. **ADV-8622**



NOTES:
 DIMENSIONS IN [] ARE ENGLISH EQUIVALENTS
 SEE SHEET 1 FOR GENSET WEIGHTS
 WHEN SUBBASE TANK IS REQUIRED REMOVE SKID 110 [4.33]. GENSET COSSMEMBERS MOUNT DIRECTLY TO TANK SIDE CHANNELS.

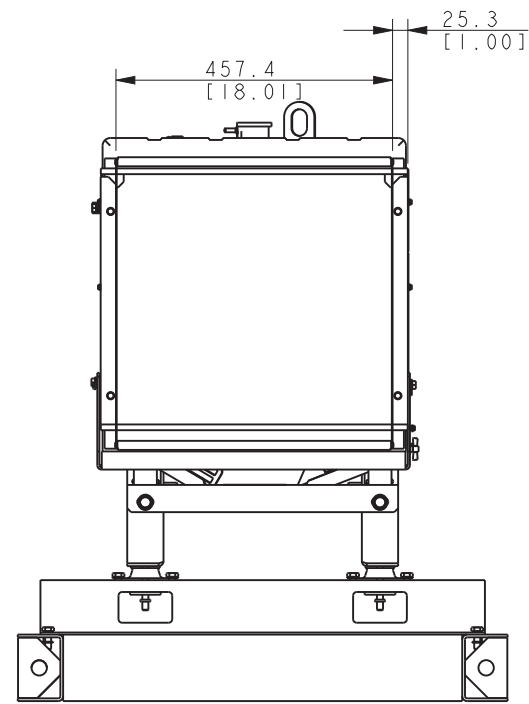
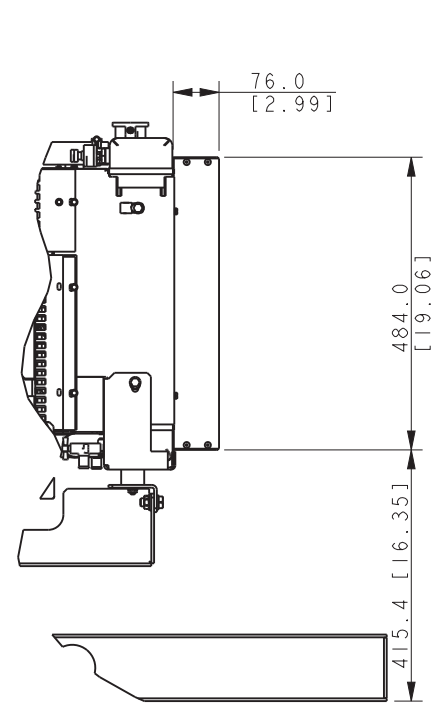
15 MODEL 60HZ 4D31/4D38
 20 MODEL 60HZ 4D38/4D5.0
 RECON. & 600V ALTERNATORS
 KOHLER DIESEL 2504M

REV	DATE	ON COMPOSITE DWGS. SEE PART NO. FOR REVISION LEVEL	BY	UNLESS OTHERWISE SPECIFIED - 1) DIMENSIONS ARE IN MILLIMETERS 2) TOLERANCES ARE:
-	12.02.13	NEW DRAWING [CT66455]	CEK	X.XX ± 0.25
A	3-3-14	(B-8) 1085.5 WAS 1024.1, UPDATED VIEW [CT73347]	CEK	X.X ± 1.0
B	06-19-14	(B-8) 6.35 WAS 8, SEE SHEET 1 AND 3 [CT84991]	KNN	ANGLES ± 0° 30' MAX.
C	5-20-15	(A-4) KOHLER DIESEL WAS LOMBARDINI [CT110915]	SAM	THIRD ANGLE PROJECTION
D	7-2-15	SEE SHEET 1 [CT116814]	SVP	APPROVALS
E	7-20-18	SEE SHEET 1 [CT188707]	ADP	DATE
F	12-18-19	SEE SHEET 1 [CT200685]	RRT	12.02.13
			CHECKED	CEK 12.02.13
			APPROVED	BMK 12.02.13

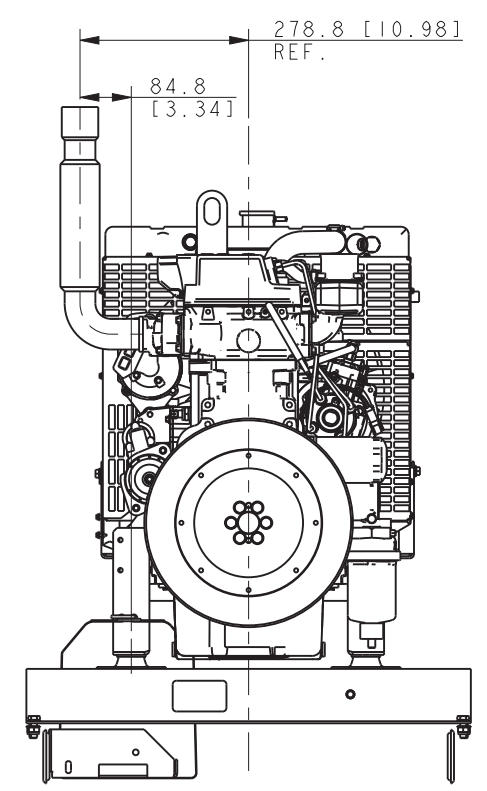
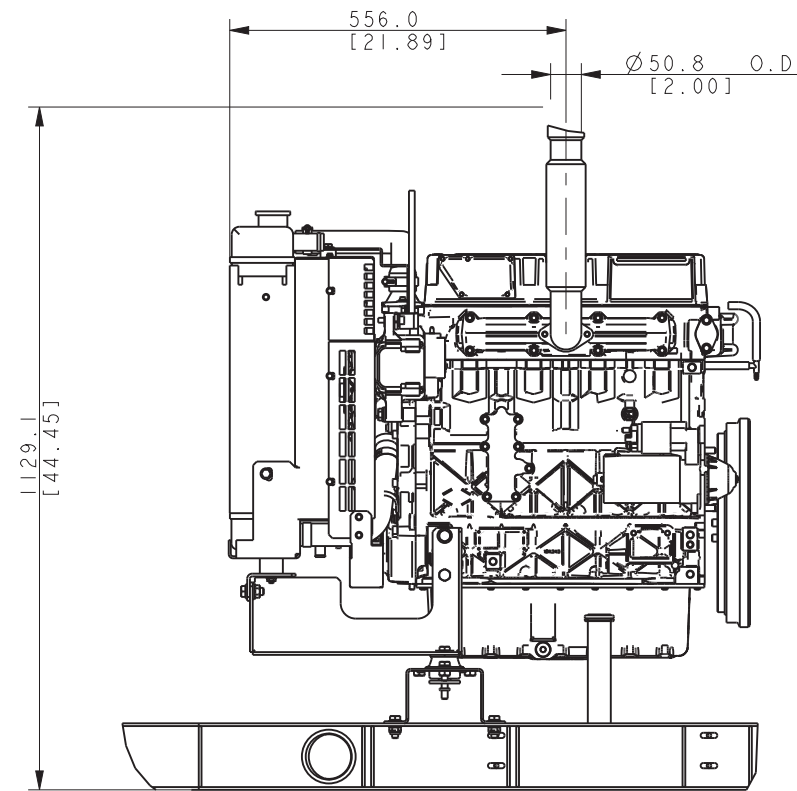
KOHLER CO. METRIC PRO-E
 POWER SYSTEMS, KOHLER, WI 53044 U.S.A.
 THIS DRAWING IN DESIGN AND DETAIL IS KOHLER CO. PROPERTY AND MUST NOT BE USED EXCEPT IN CONNECTION WITH KOHLER CO. WORK. ALL RIGHTS OF DESIGN OR INVENTION ARE RESERVED.

TITLE: **DIMENSION PRINT 20KW KDI**

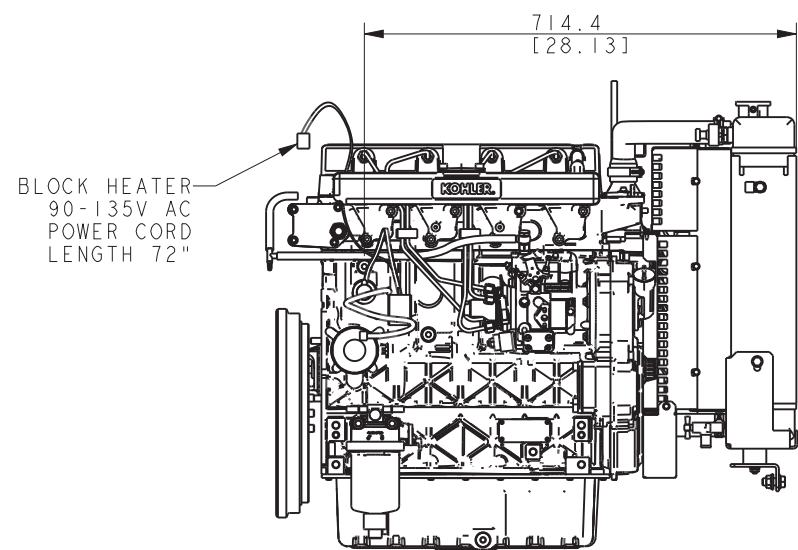
SCALE: 0.16 CAD NO. SHEET 2 of 3
 DWG NO. **ADV-8622**



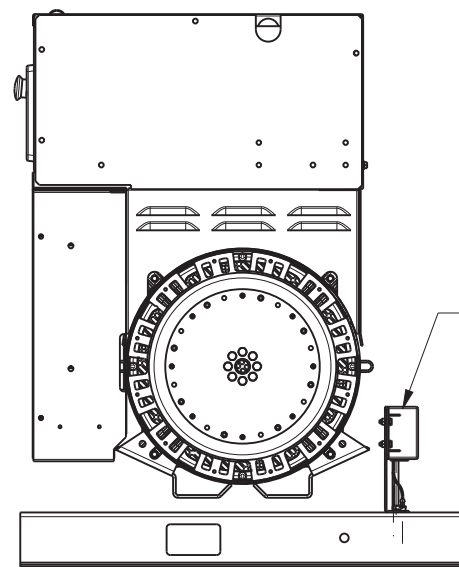
RADIATOR DUCT FLANGE



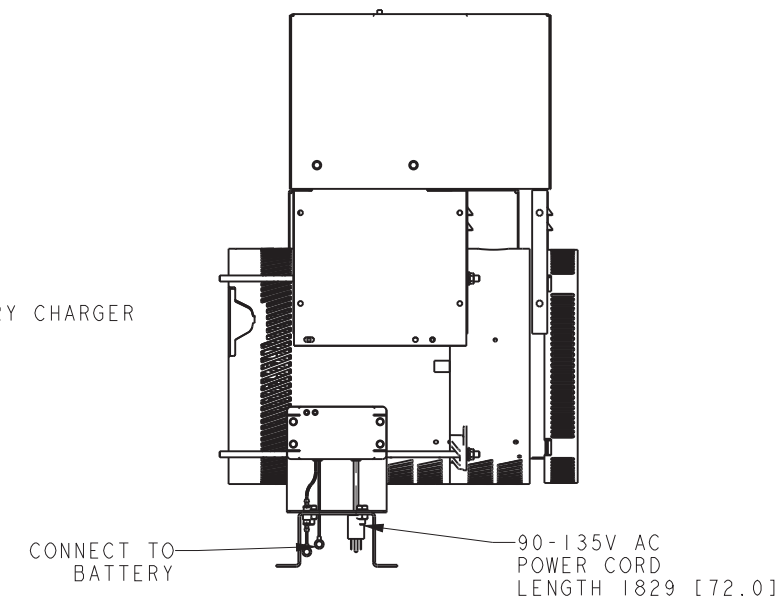
FLEXIBLE EXHAUST



BLOCK HEATER



BATTERY CHARGER



15 MODEL 60HZ 4D3.1/4D3.8
20 MODEL 60HZ 4D3.8/4D5.0
RECON. & 600V ALTERNATORS
KOHLER DIESEL 2504M

REV	DATE	ON COMPOSITE DWGS. SEE PART NO. FOR REVISION LEVEL	BY	UNLESS OTHERWISE SPECIFIED - 1) DIMENSIONS ARE IN MILLIMETERS 2) TOLERANCES ARE:
-	12.02.13	NEW DRAWING [CT66455]	CEK	X.XX ± 0.25
A	3-3-14	SEE SHEETS 1 & 2 [CT73347]	CEK	X.X ± 1.0
B	06-19-14	(A-4) BATTERY CHARGER, (C-3) FLEXIBLE EXHAUST VIEW UPDATE, SEE SHEET 2 AND 3 [CT84991]	KNN	X ± 1.5
C	5-20-15	(A-4) KOHLER DIESEL WAS LOMBARDINI [CT110915]	SAM	ANGLES ± 0° 30' MAX.
D	7-2-15	SEE SHEET 1 [CT116814]	SVP	THIRD ANGLE PROJECTION
E	7-20-18	SEE SHEET 1 [CT188707]	ADP	APPROVALS
F	12-18-19	SEE SHEET 1 [CT200685]	RRT	CHECKED CEK 12.02.13
				APPROVED BMK 12.02.13

KOHLER CO. METRIC PRO-E
POWER SYSTEMS, KOHLER, WI 53044 U.S.A.
THIS DRAWING IN DESIGN AND DETAIL IS KOHLER CO. PROPERTY AND MUST NOT BE USED EXCEPT IN CONNECTION WITH KOHLER CO. WORK. ALL RIGHTS OF DESIGN OR INVENTION ARE RESERVED.

TITLE
DIMENSION PRINT 20KW KDI

SCALE 0.16 CAD NO. SHEET 3 of 3
DWG NO. **ADV-8622**