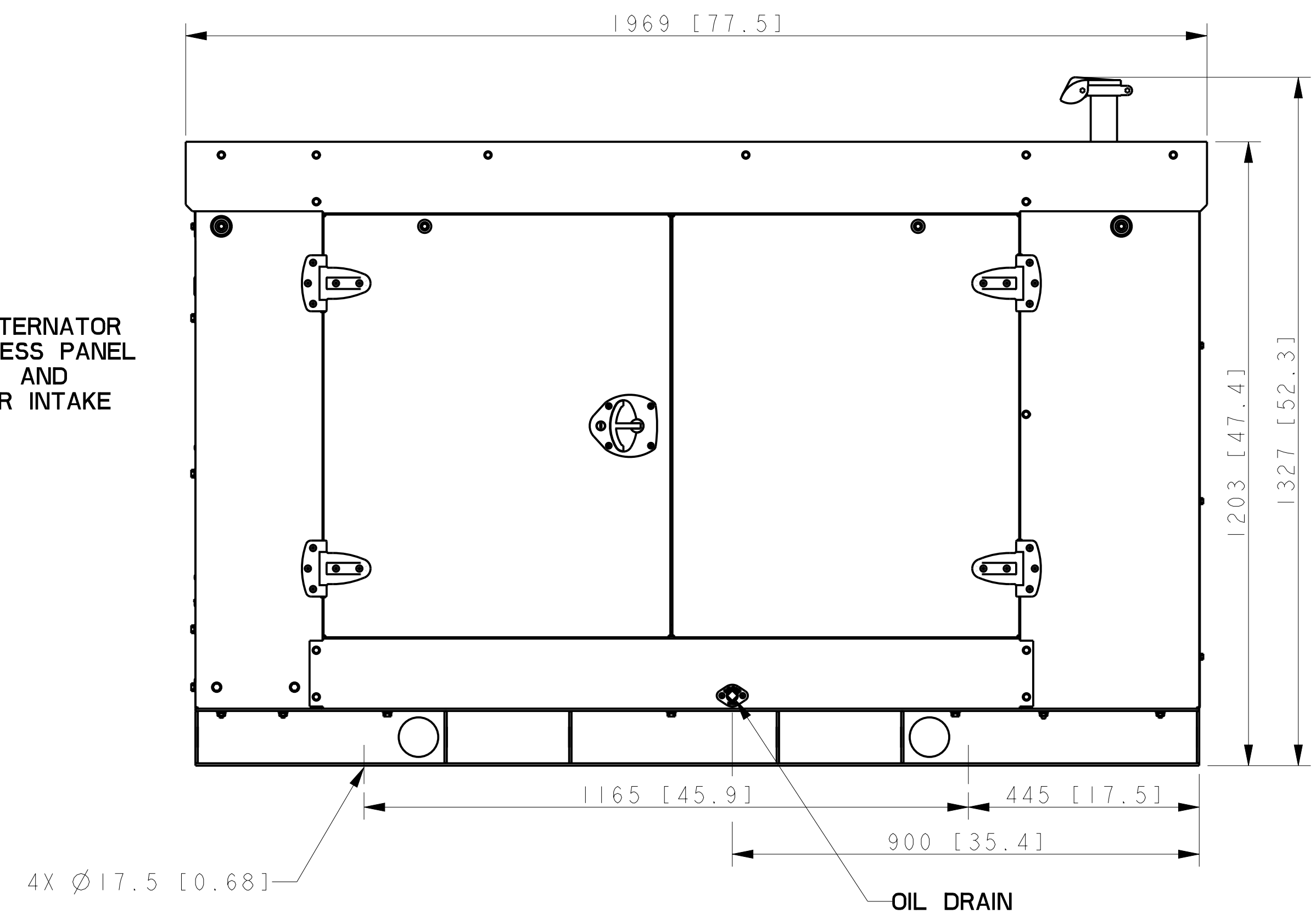
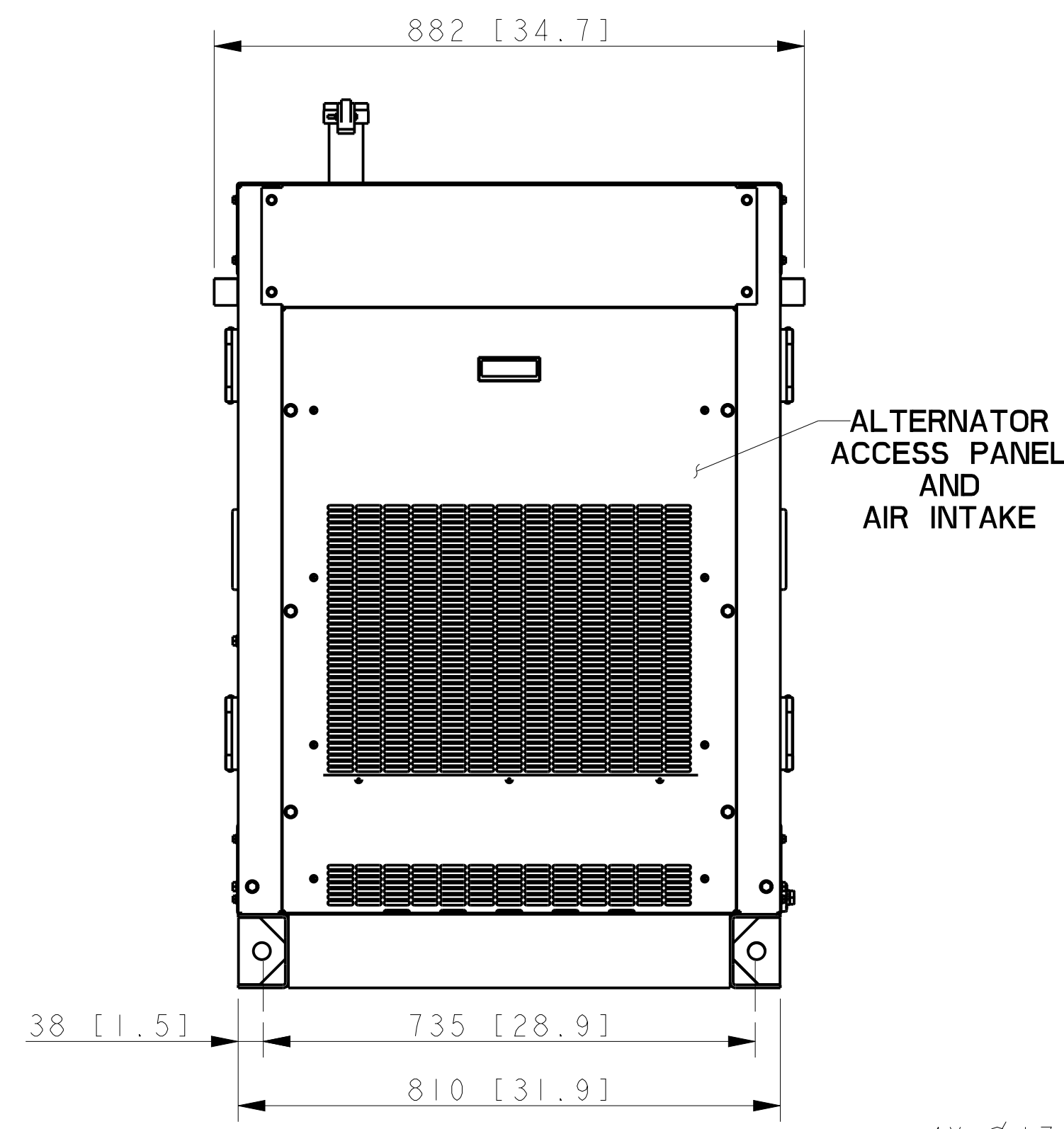
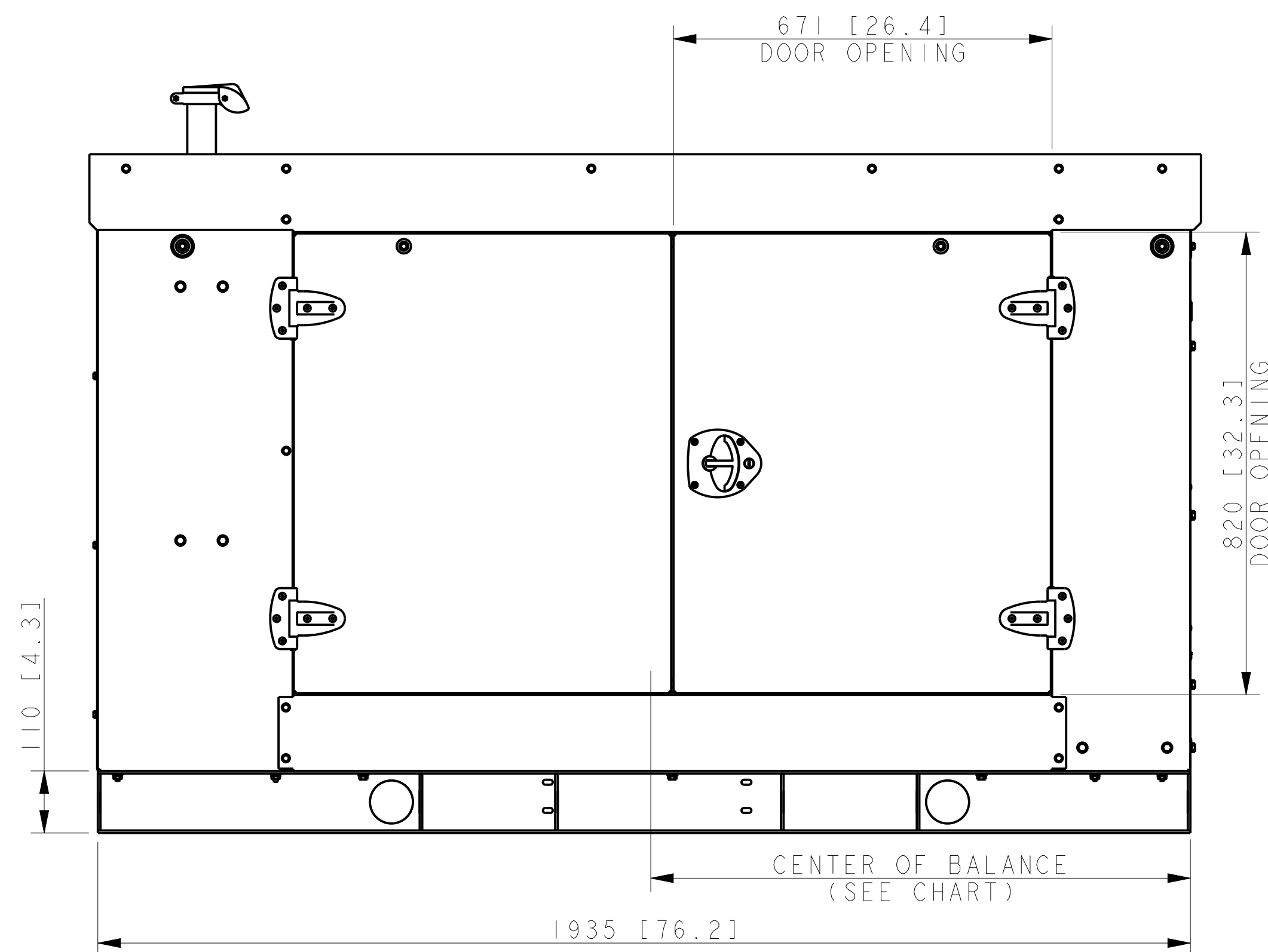
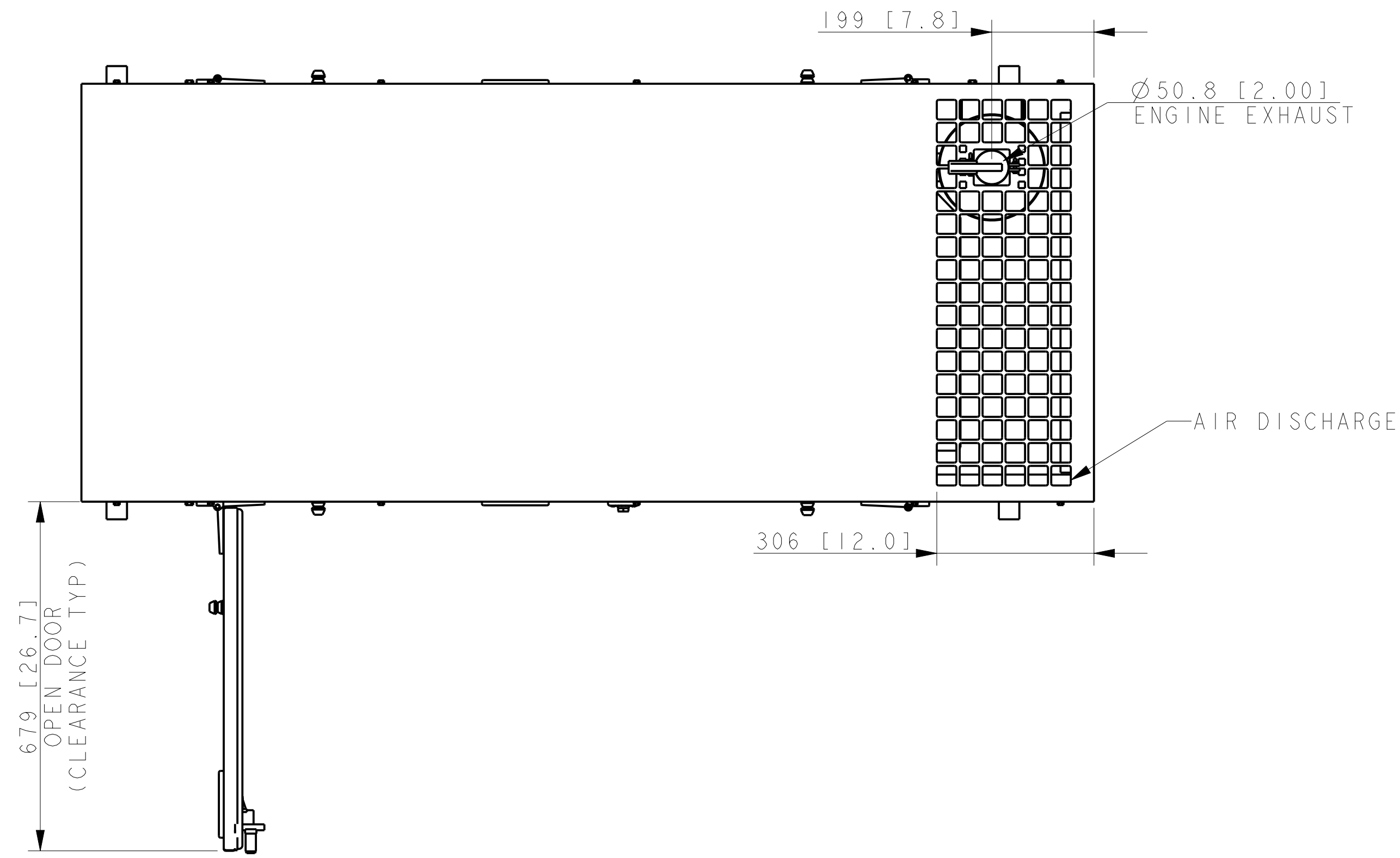


MODEL	ENCLOSURE WEIGHT KG (LBS)	ENCLOSURE CENTER OF BALANCE
STEEL WEATHER, 15KW	163 [360]	984 [36.75]
STEEL WEATHER, 20KW		1054 [41.50]
STEEL SOUND, 15KW	172 [380]	984 [36.75]
STEEL SOUND, 20KW		1054 [41.50]
ALUMINUM SOUND, 15KW	108 [238]	984 [36.75]
ALUMINUM SOUND, 20KW		1054 [41.50]



DIMENSIONS IN [] ARE ENGLISH EQUIVALENTS

NOTE:

- IF TANK IS ORDERED, ENCLOSURE MOUNT DIRECTLY TO TANK.
- TANK MAY EXTEND BEYOND ENCLOSURE (DISCHARGE END ONLY)

15 MODEL 60HZ 4D3.1/4D3.8
20 MODEL 60HZ 4D3.8/4D5.0
RECON. & 600V ALTERNATORS
KOHLER DIESEL KDI 1903M & 2504M

REV	DATE	ON COMPOSITE DWGS. SEE PART NO. FOR REVISION LEVEL	BY	UNLESS OTHERWISE SPECIFIED - 1) DIMENSIONS ARE IN MILLIMETERS 2) TOLERANCES ARE:
-	8-15-13	NEW DRAWING [CT66455]	CEK	X.XX ± 0.25
A	3-5-14	(C-8) 162.7 WAS 127.7, 198.8 WAS 252.5 [CT73347]	CEK	X.X ± 1.0
B	4-17-14	(A-4) UPDATED ENGINE MFG. [CT78254]	CCL	X ± 1.5
C	10-3-17	(D-5) DIM. Ø50.8 [2.00] ADDED [CT177004]	SRM	ANGLES ± 0° 30" MAX.

APPROVALS		DATE	TITLE DIMENSION PRINT 15-20KW KDI ENCL
DRAWN	CEK	8-15-13	
CHECKED	CEK	8-15-13	
APPROVED	BMK	8-15-13	

KOHLER CO. METRIC PRO-E
POWER SYSTEMS, KOHLER, WI 53044 U.S.A.
THIS DRAWING IN DESIGN AND DETAIL IS KOHLER CO. PROPERTY AND MUST NOT BE USED EXCEPT IN CONNECTION WITH KOHLER CO. WORK. ALL RIGHTS OF DESIGN OR INVENTION ARE RESERVED.

SCALE 0.13 CAD NO. SHEET 1 of 1
DWG NO. ADV-8621 D