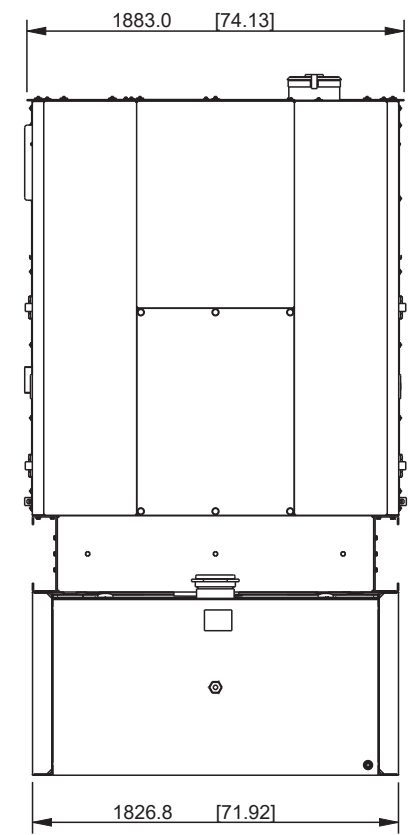
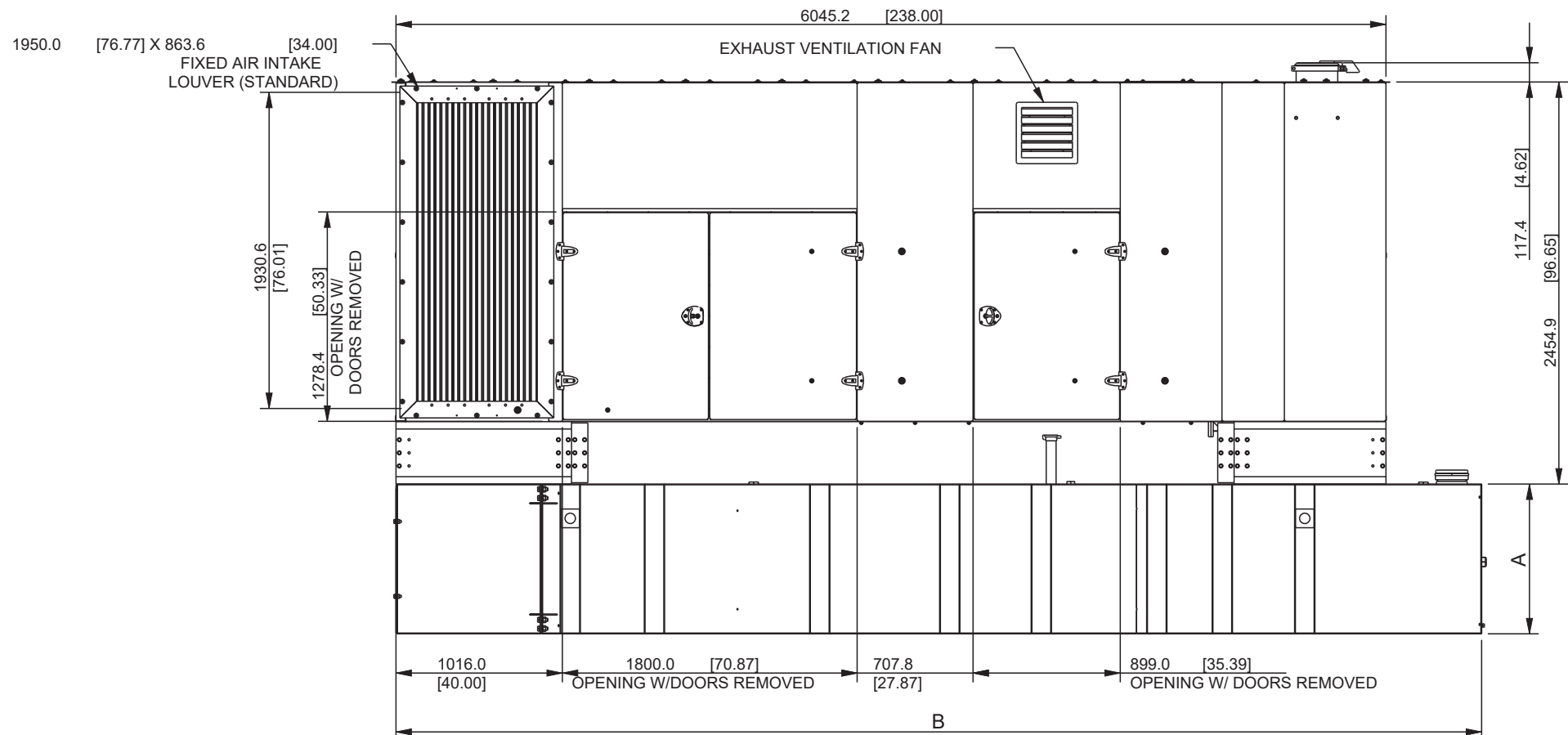


WEATHER ENCLOSURE



TANK INFORMATION				
LITERS [GALLONS] MIN HOURS	GENSETS	DIM A MM [INCH]	DIM B MM [INCH]	TANK WEIGHT KG [LBS] (NO FUEL)
2049 [541] 12 HOURS	500-600KW	406.4 [16.0]	6045.2 [238.0]	1444 [3183]
3910 [1033] 24 HOURS		736.6 [29.0]		1793 [3952]
5730 [1513] 36 HOURS		914.4 [36.0]	6629.4 [261.0]	2201 [4853]
7645 [2019] 48 HOURS			8026.4 [316.0]	2665 [5876]
2039 [538] 12 HOURS STATE		381.0 [15.0]	6858.0 [270.0]	1591 [3508]
3930 [1038] 24 HOURS STATE		660.4 [26.0]		1893 [4173]
5757 [1520] 36 HOURS STATE		914.4 [36.0]	8458.2 [333.0]	2177 [4800]
7658 [2023] 48 HOURS STATE				2680 [5908]

NOTES:  
FOR PROPER ASSEMBLY METHOD OF HARDWARE, USE G-585 AS A GUIDELINE.

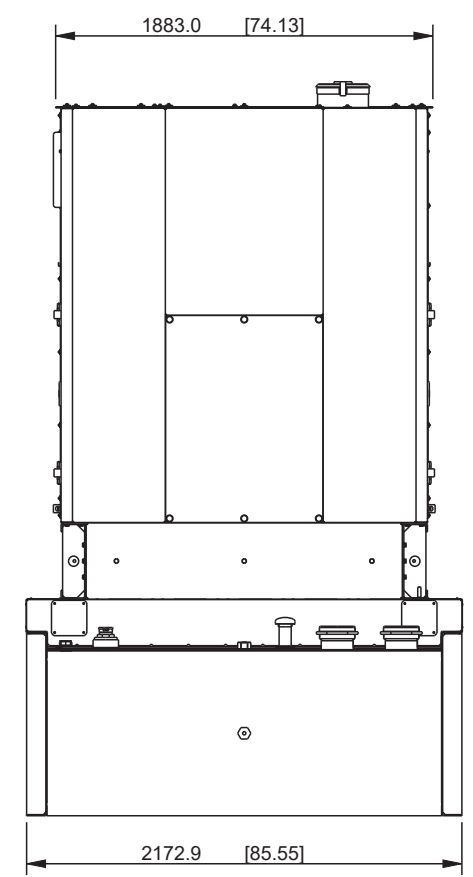
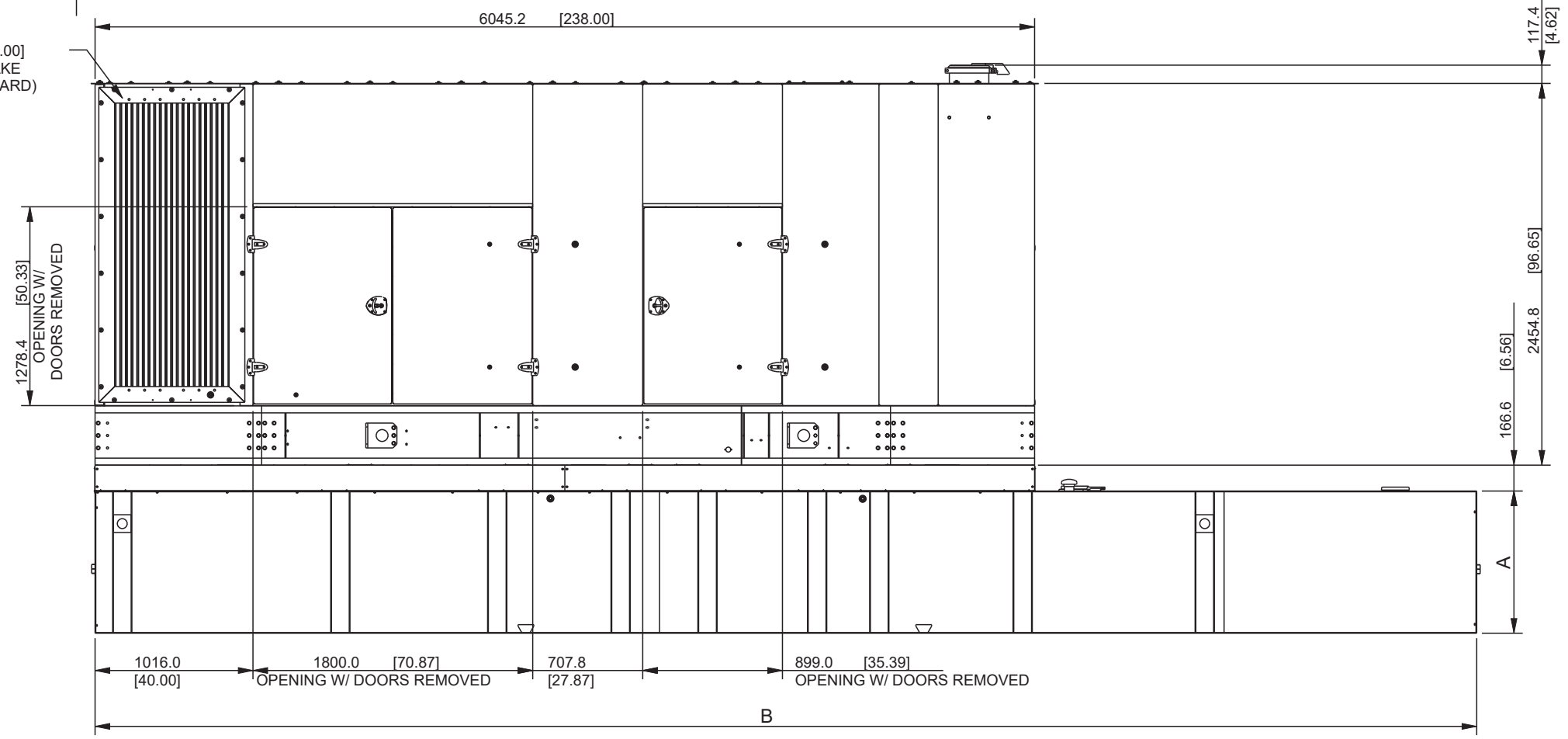
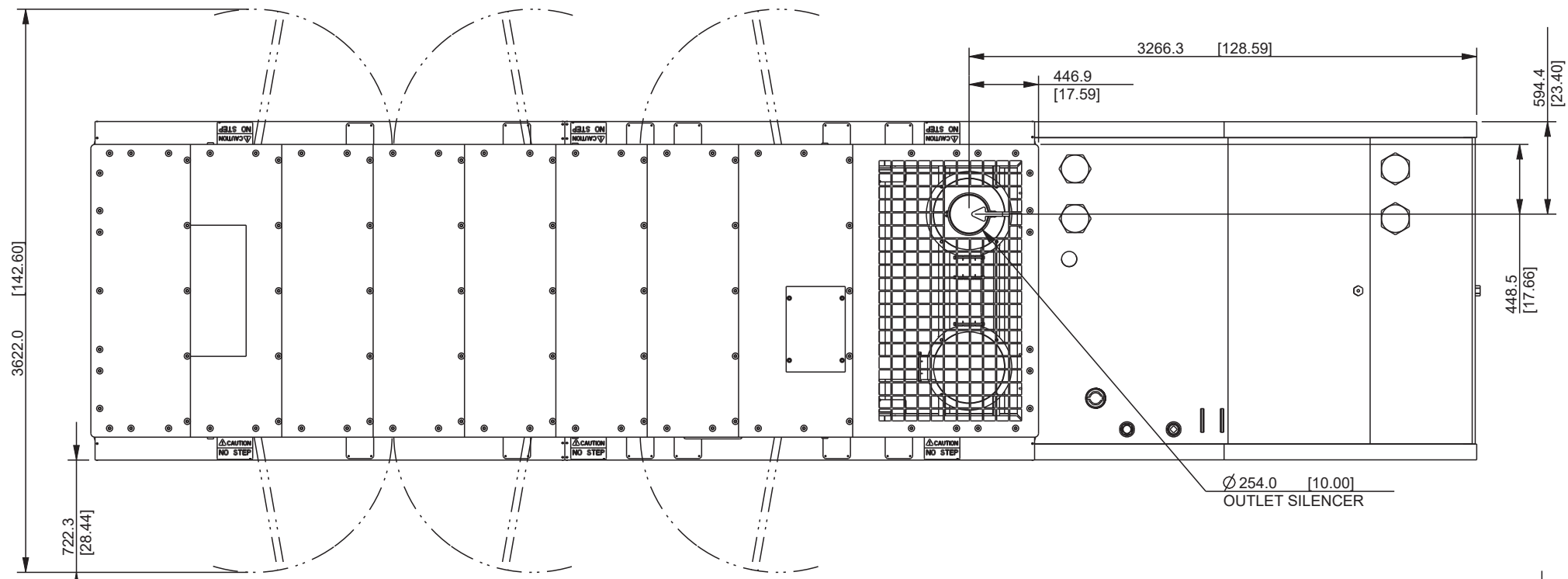
500-600 REOZVB		KG [LBS]
STEEL SOUND L2 ENCLOSURE WEIGHT		1483 [3270]
ALUM SOUND L2 ENCLOSURE WEIGHT		859 [1895]
STEEL WEATHER ENCLOSURE WEIGHT		1326 [2925]
ALUM WEATHER ENCLOSURE WEIGHT		703 [1550]

REV	DATE	ON COMPOSITE DWGS, SEE PART NO. FOR REVISION LEVEL	BY	UNLESS OTHERWISE SPECIFIED - 1) DIMENSIONS ARE IN MILLIMETERS 2) TOLERANCES ARE:
-	6-27-11	NEW DRAWING [91023-12]	RJS	X.XX ±
A	3-19-12	(A-8) SEE SHEETS 5-6 [CT08748]	DJV	X.X ±
B	1-10-13	SHEET 7 ADDED [CT34883]	SDS	°
C	8/10/17	(D-4) ADD DIM Ø 254.0 SEE SHEETS 2,4,5,6 [CT172496]	RMJ	THIRD ANGLE PROJECTION
D	11-25-19	(C-5) SA11185 EXHAUST VENT FAN ADDED [CT199135]	SRB	APPROVALS

APPROVALS	DATE
DRAWN RJS	6-27-11
CHECKED RJS	6-27-11
APPROVED AJD	6-27-11

<b>KOHLER CO.</b>		POWER SYSTEMS, KOHLER, WI 53044 U.S.A.	
THIS DRAWING IN DESIGN AND DETAIL IS KOHLER CO. PROPERTY AND MUST NOT BE USED EXCEPT IN CONNECTION WITH KOHLER CO. WORK. ALL RIGHTS OF DESIGN OR INVENTION ARE RESERVED.			
TITLE		DIMENSION PRINT, 500-600KW ENCLS & TANKS	
SCALE 0.05	CAD NO.	SHEET 1 of 7	
DWG NO. ADV-8417		D	

500-600KW REOZVB/C  
STEEL/ALUM ENCL & TANKS  
SOUND & WEATHER



500-600 REOZVB	KG [LBS]
STEEL SOUND L2 ENCLOSURE WEIGHT	1326 [2923]
ALUM SOUND L2 ENCLOSURE WEIGHT	768 [1694]

REV	DATE	ON COMPOSITE DWGS, SEE PART NO. FOR REVISION LEVEL	BY	UNLESS OTHERWISE SPECIFIED - 1) DIMENSIONS ARE IN MILLIMETERS 2) TOLERANCES ARE:
-	6-27-11	NEW DRAWING [91023-12]	RJS	X.XX ±
A	3-19-12	(A-8) SEE SHEETS 5-6 [CT08748]	DJV	X.X ±
B	1-10-13	SEE SHEET 1 [CT34883]	SDS	X °
C	8-10-17	(C-4) ADD DIM 254.0, SEE SHEETS 1,4,5,6, [CT172496]	RMJ	ANGLES ±
D	11-25-19	SEE SHEET 1 & 3 [CT199135]	SRB	

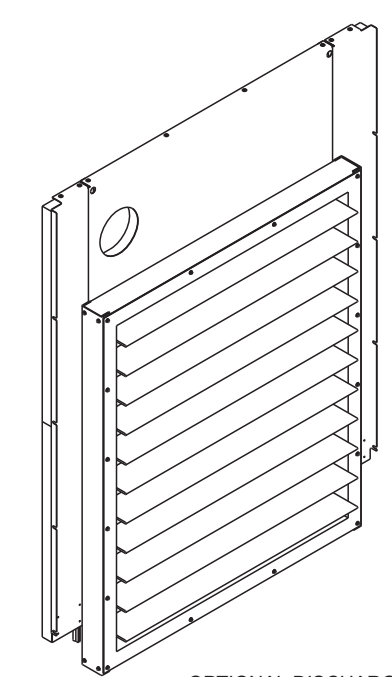
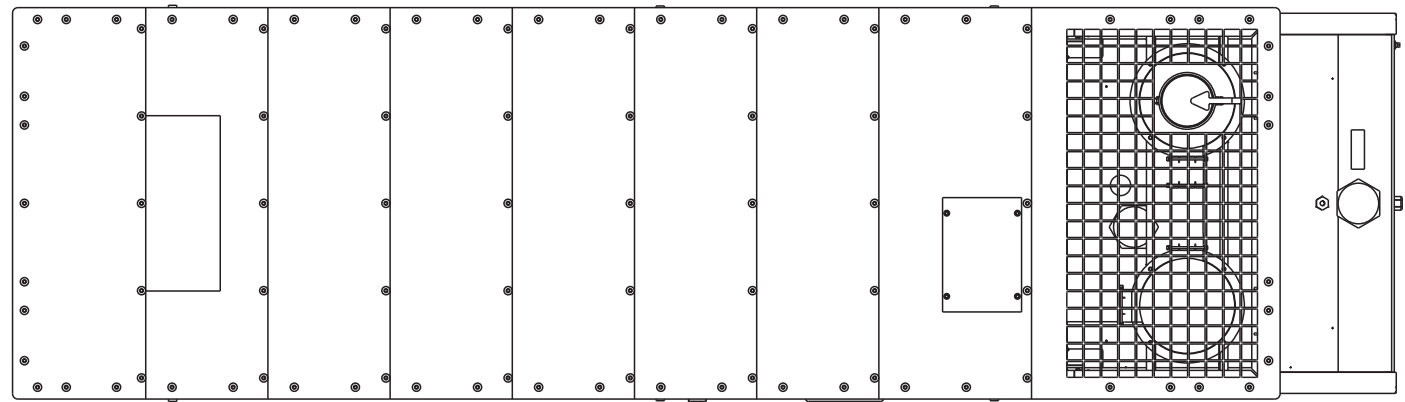
**KOHLER CO.**  
POWER SYSTEMS, KOHLER, WI 53044 U.S.A.  
THIS DRAWING IN DESIGN AND DETAIL IS KOHLER CO. PROPERTY AND MUST NOT BE USED EXCEPT IN CONNECTION WITH KOHLER CO. WORK. ALL RIGHTS OF DESIGN OR INVENTION ARE RESERVED.

TITLE  
**DIMENSION PRINT, 500-600KW ENCLS & TANKS**

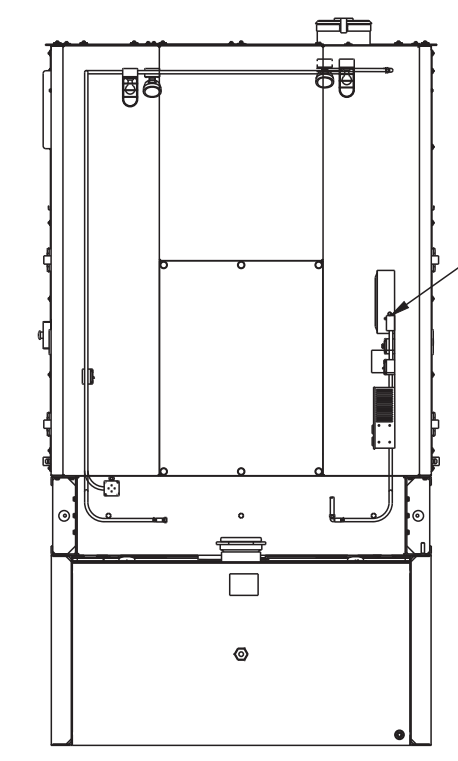
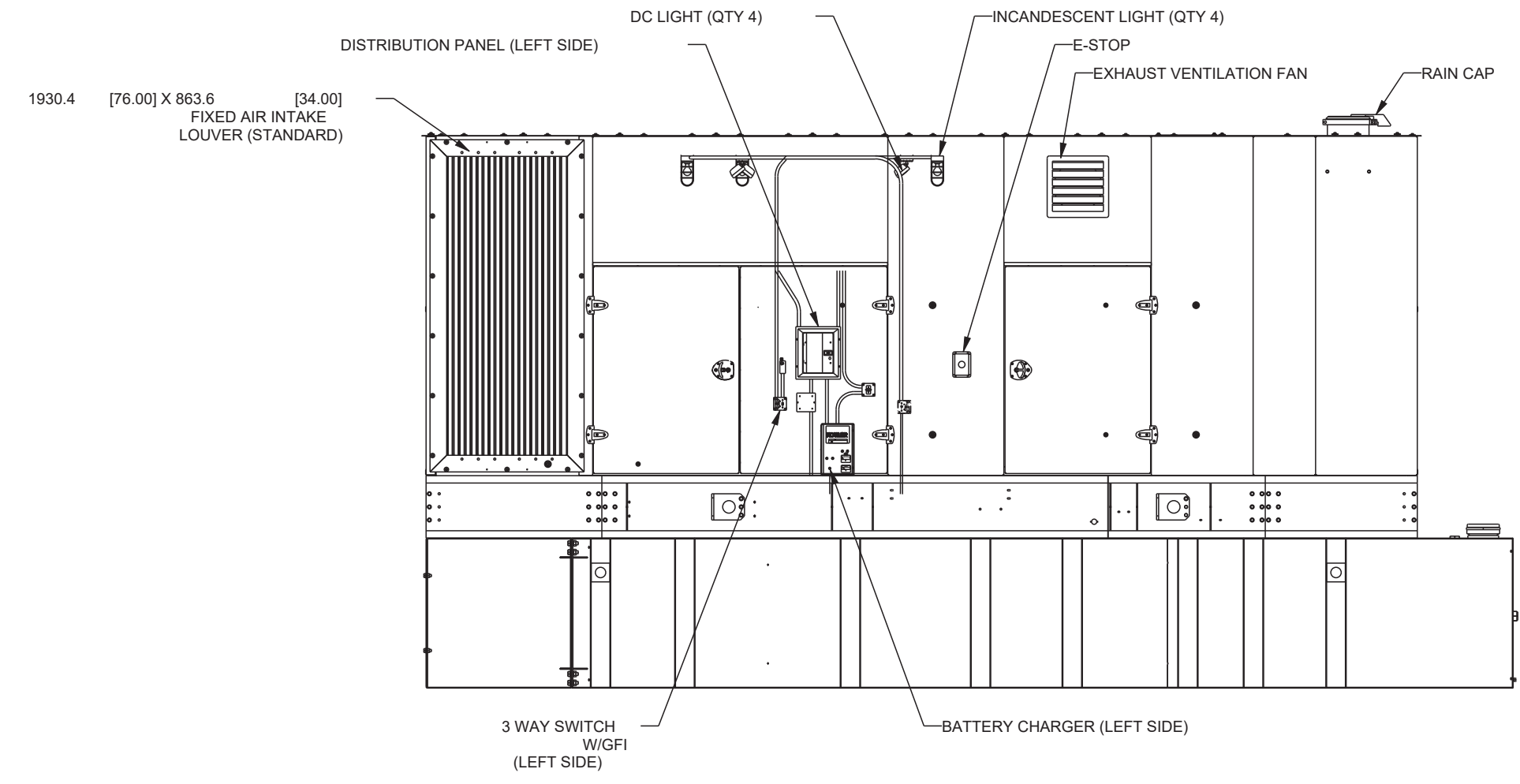
SCALE 0.40 CAD NO. SHEET 2 of 7  
DWG NO. **ADV-8417**

TANK INFORMATION				
LITERS [GALLONS] MIN HOURS	GENSETS	DIM A MM [INCH]	DIM B MM [INCH]	TANK WEIGHT KG [LBS] (NO FUEL)
11554 [3052] 72 HOURS STATE	500-600KW	914.4 [36.0]	8890.0 [350.0]	4205 [9270]

8 7 6 5 4 3 2 1



OPTIONAL DISCHARGE DAMPER  
(MOUNTED INSIDE DISCHARGE PLENUM)



REV	DATE	BY	UNLESS OTHERWISE SPECIFIED - 1) DIMENSIONS ARE IN MILLIMETERS 2) TOLERANCES ARE:	APPROVALS	DATE
-	6-27-11	RJS	X.XX ±		
A	3-19-12	DJV	X.X ±		
B	1-10-13	SDS	X ±		
C	8-10-17	RMJ	ANGLES ±		
D	11-25-19	SRB			

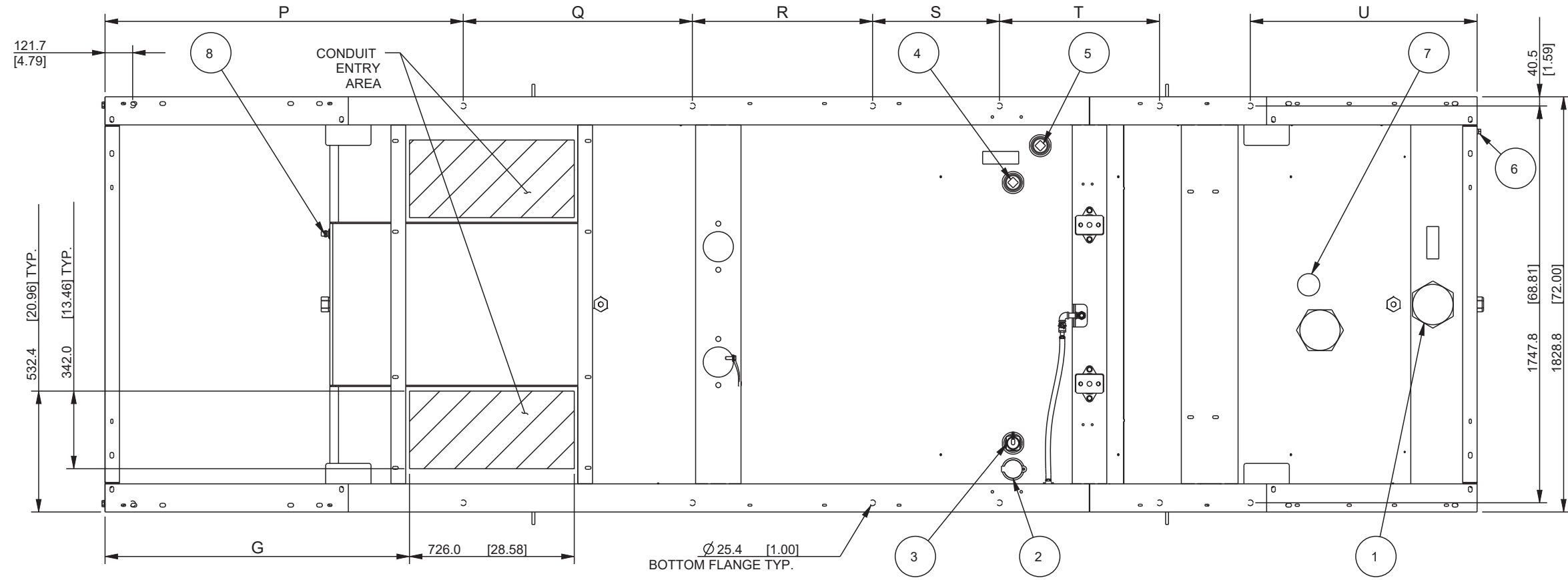
APPROVALS	DATE
DRAWN RJS	6-27-11
CHECKED RJS	6-27-11
APPROVED AJD	6-27-11

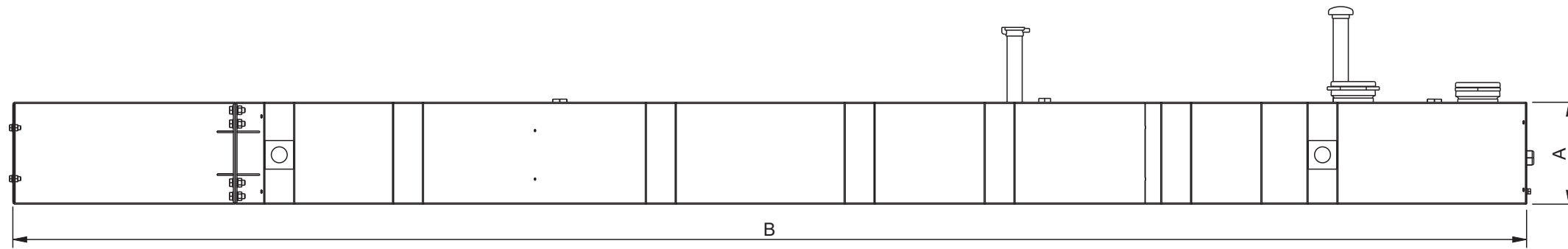
<b>KOHLER CO.</b> METRIC PRO-E	
POWER SYSTEMS, KOHLER, WI 53044 U.S.A.	
THIS DRAWING IN DESIGN AND DETAIL IS KOHLER CO. PROPERTY AND MUST NOT BE USED EXCEPT IN CONNECTION WITH KOHLER CO. WORK. ALL RIGHTS OF DESIGN OR INVENTION ARE RESERVED.	
TITLE DIMENSION PRINT, 500-600KW ENCLS & TANKS	
SCALE 0.40	CAD NO.
DWG NO.	SHEET 3 of 7
ADV-8417	

8 7 6 5 4 3 2 1

# STANDARD TANK



12 HOUR TANK SHOWN



2049 L [541 GAL.] 12 HOUR TANK SHOWN.

LITERS [GALLONS] MIN HOURS	TANK INFORMATION								WEIGHT KG [LBS]	JUNCTION BOX			
	A	B	P	Q	R	S	T	U		G		G	
2049 [541] 12 HOURS	406.4 [16.0]	6045.2 [238.0]	1578.2 [62.1]	1009.5 [39.7]	794.0 [31.3]	559.0 [22.0]	705.2 [27.8]	999.3 [39.3]	1444 [3183]	500-550 KW		600 KW	
3910 [1033] 24 HOURS	736.6 [29.0]									5M4024, 5M4027 5M4028, 5M4030 5M4162, 5M4270 5M4272	5M4032 5M4164	5M4030 5M4272	5M4032 5M4164 5M4276
5730 [1513] 36 HOURS	914.4 [36.0]	6629.4 [261.0]	1578.2 [62.1]	1009.5 [39.7]	794.0 [31.3]	559.0 [22.0]	705.2 [27.8]	1583.5 [62.3]	2201 [4853]	1341.3 [52.8]	1176.2 [46.3]	1174.2 [46.2]	1009.1 [39.7]
7645 [2019] 48 HOURS	8026.4 [316.0]	2980.5 [117.3]						2665 [5876]					

ITEM	DESCRIPTION
8	SWITCH, FUEL IN BASIN
7	VENT, NORMAL
6	DRAIN, (1/2" NPT)
5	RETURN, FUEL
4	SUPPLY, FUEL
3	GAUGE, FUEL LEVEL, W/ SENDER
2	FILL CAP, 2" LOCKABLE W/PIPE RISER
1	CAP, EMERGENCY VENT

12 - 48 HOUR 500-600KW REOZVB/C  
GENSET & STANDARD TANKS WITH  
SOUND OR WEATHER ENCLOSURE

REV	DATE	ON COMPOSITE DWGS, SEE PART NO. FOR REVISION LEVEL	BY	UNLESS OTHERWISE SPECIFIED - 1) DIMENSIONS ARE IN MILLIMETERS 2) TOLERANCES ARE:
-	6-29-11	NEW DRAWING [91023-12]	JB2	X.XX ±
A	3-19-12	(A-8) SEE SHEETS 5-6 [CT08748]	DJV	X.X ±
B	1-10-13	SEE SHEET 1 [CT34883]	SDS	X ±
C	8-10-17	(B-5) ADD NOTE, SEE SHEET 1,2,5,6 [CT172496]	RMJ	ANGLES ±
D	11-25-19	SEE SHEET 1 & 3 [CT199135]	SRB	

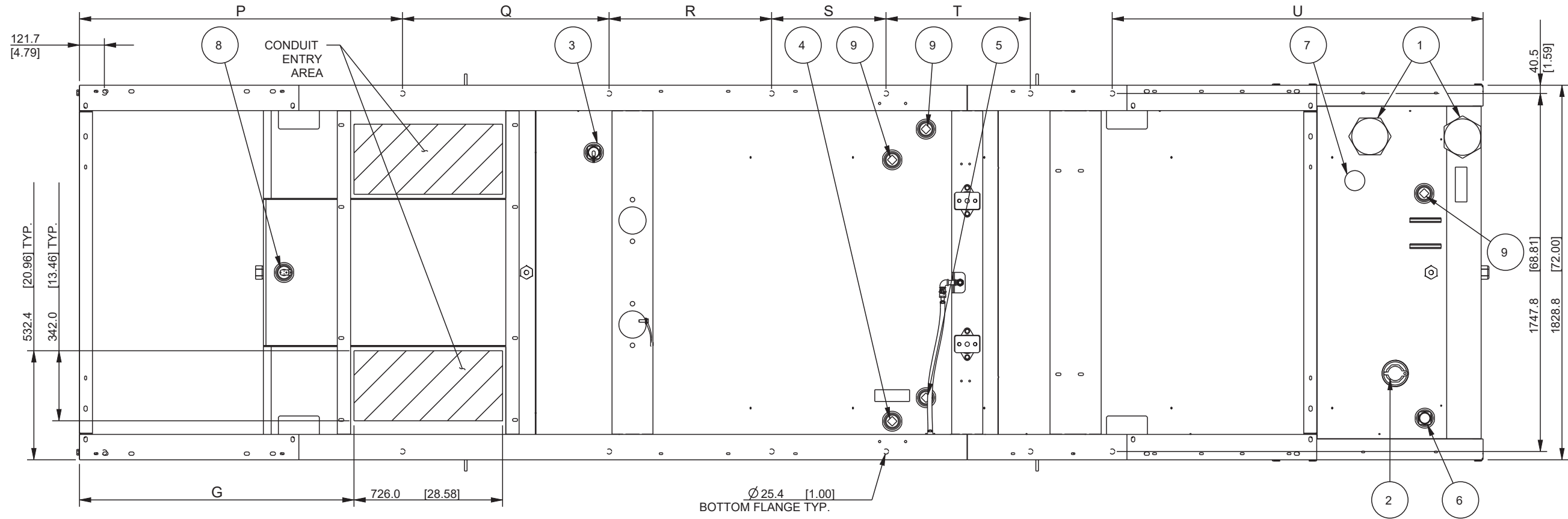
  

APPROVALS	DATE
DRAWN RJS	6-29-11
CHECKED RJS	6-29-11
APPROVED AJD	6-29-11

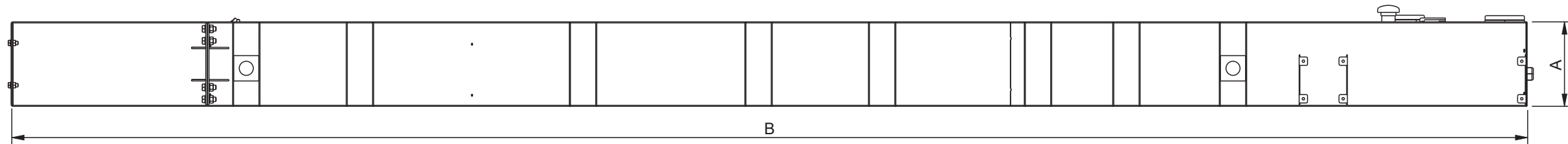
  

<b>KOHLER CO.</b>		METRIC	PRO-E
POWER SYSTEMS, KOHLER, WI 53044 U.S.A.			
THIS DRAWING IN DESIGN AND DETAIL IS KOHLER CO. PROPERTY AND MUST NOT BE USED EXCEPT IN CONNECTION WITH KOHLER CO. WORK. ALL RIGHTS OF DESIGN OR INVENTION ARE RESERVED.			
TITLE DIMENSION PRINT, 500-600KW ENCLS & TANKS			
SCALE 0.40	CAD NO.	SHEET 4 of 7	
DWG NO. ADV-8417			D

# STATE TANK



12 HOUR STATE TANK SHOWN



2039 L [538 GAL.] 12 HOUR TANK SHOWN.

REFER TO SEISMIC ADV FOR IBC/OSHPD SEISMIC MOUNTING LOCATIONS

LITERS [GALLONS] MIN HOURS	TANK INFORMATION									JUNCTION BOX					
	A	B	P	Q	R	S	T	U	WEIGHT KG [LBS]	G		G			
										500-550 KW	600 KW	5M4024, 5M4027 5M4028, 5M4030 5M4162, 5M4270 5M4272	5M4032 5M4164	5M4030 5M4272	5M4032 5M4164 5M4276
2039 [538] 12 HOURS	381.0 [15.0]								1591 [3508]						
3930 [1038] 24 HOURS	660.4 [26.0]	6858.0 [270.0]						1812.1 [71.3]	1893 [4173]						
5757 [1520] 36 HOURS	914.4 [36.0]	8458.2 [333.0]	1578.2 [62.1]	1009.5 [39.7]	794.0 [31.3]	559.0 [22.0]	705.2 [27.8]	3412.3 [134.3]	2177 [4800]	1341.3 [52.8]	1176.2 [46.3]	1174.2 [46.2]	1009.1 [39.7]		
7658 [2023] 48 HOURS									2680 [5908]						

12 - 48 HOUR 500-600KW REOZVB/C  
GENSET & STATE TANKS WITH  
SOUND OR WEATHER ENCLOSURE

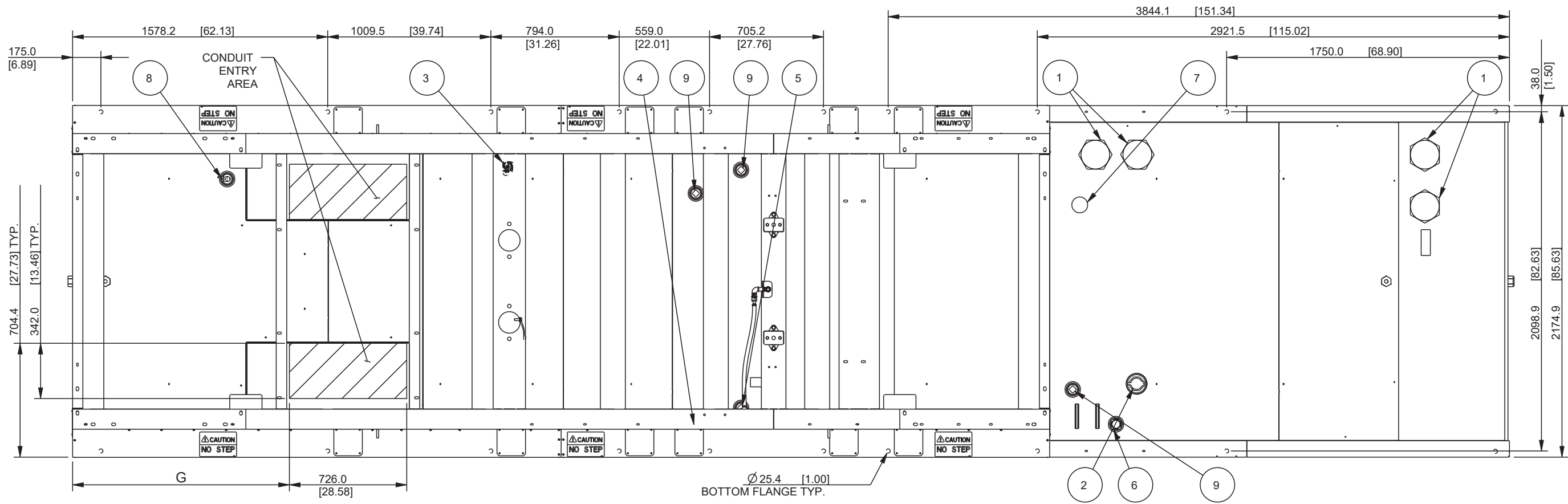
ITEM	DESCRIPTION
9	PLUG, PIPE (2" NPT)
8	SWITCH, FUEL IN BASIN TOP MTD, 2"
7	VENT, NORMAL
6	GAUGE, FUEL LEVEL, DIRECT READ
5	RETURN, FUEL
4	SUPPLY, FUEL
3	GAUGE, FUEL LEVEL, W/ SENDER
2	FILL CAP, 2" LOCKABLE W/PIPE RISER
1	CAP, EMERGENCY VENT

REV	DATE	DESCRIPTION	BY	UNLESS OTHERWISE SPECIFIED - 1) DIMENSIONS ARE IN MILLIMETERS 2) TOLERANCES ARE:
-	6-29-11	NEW DRAWING [91023-12]	JB2	X.XX ±
A	3-19-12	(A-8) SEISMIC NOTE ADDED [CT08748]	DJV	X.X ±
B	1-10-13	SEE SHEET 1 [CT34883]	SDS	X °
C	8-10-17	(B-5) ADD NOTE, SEE SHEET 1,2,4,6 [CT172496]	RMJ	MAX.
D	11-25-19	SEE SHEET 1 & 3 [CT199135]	SRB	THIRD ANGLE PROJECTION

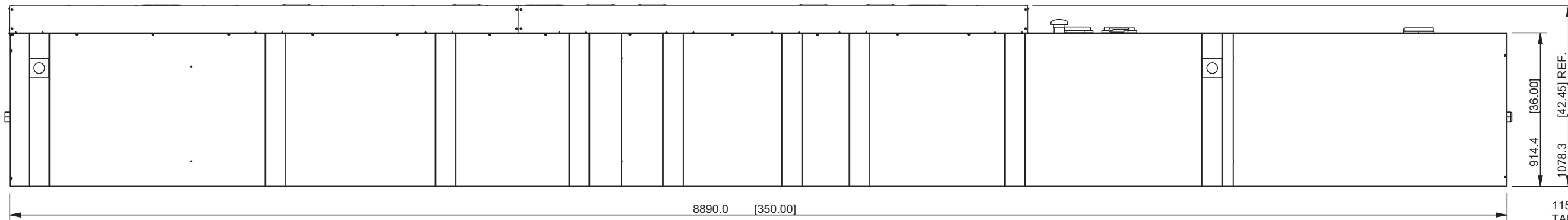
APPROVALS	DATE
DRAWN RJS	6-29-11
CHECKED RJS	6-29-11
APPROVED AJD	6-29-11

<b>KOHLER CO.</b>		METRIC	PRO-E
POWER SYSTEMS, KOHLER, WI 53044 U.S.A.			
THIS DRAWING IN DESIGN AND DETAIL IS KOHLER CO. PROPERTY AND MUST NOT BE USED EXCEPT IN CONNECTION WITH KOHLER CO. WORK. ALL RIGHTS OF DESIGN OR INVENTION ARE RESERVED.			
TITLE DIMENSION PRINT, 500-600KW ENCLS & TANKS			
SCALE 1.00	CAD NO.	SHEET 5 of 7	
DWG NO. ADV-8417			D

STATE TANK



72 HOUR STATE TANK SHOWN



11554 L [3052 GAL.] 72 HOUR TANK SHOWN.  
WEIGHT: 4205 [9270]

REFER TO SEISMIC ADV FOR IBC/OSHPD SEISMIC MOUNTING LOCATIONS

JUNCTION BOX			
G			
500-550 KW		600 KW	
5M4024, 5M4027 5M4028, 5M4030 5M4162, 5M4270 5M4272	5M4032 5M4164	5M4030 5M4272	5M4032 5M4164 5M4276
1341.3 [52.8]	1176.2 [46.3]	1174.2 [46.2]	1009.1 [39.7]

72 HOUR 500-600KW REOZV/C GENSET & STATE TANK WITH SOUND OR WEATHER ENCLOSURE

ITEM	DESCRIPTION
9	PLUG, PIPE (2" NPT)
8	SWITCH, FUEL IN BASIN TOP MTD, 2"
7	VENT, NORMAL
6	GAUGE, FUEL LEVEL, DIRECT READ
5	RETURN, FUEL
4	SUPPLY, FUEL
3	GAUGE, FUEL LEVEL, W/ SENDER
2	FILL CAP, 2" LOCKABLE W/PIPE RISER
1	CAP, EMERGENCY VENT

REV	DATE	DESCRIPTION	BY	UNLESS OTHERWISE SPECIFIED - 1) DIMENSIONS ARE IN MILLIMETERS 2) TOLERANCES ARE:
-	6-29-11	NEW DRAWING [91023-12]	JB2	X.XX ±
A	3-19-12	(A-8) SEISMIC NOTE ADDED [CT08748]	DJV	X.X ±
B	1-10-13	SEE SHEET 1 [CT34883]	SDS	X ±
C	8-10-17	(B-5) ADD NOTE, SEE SHEET 1,2,4,5 [CT172496]	RMJ	ANGLES ±
D	11-25-19	SEE SHEET 1 & 3 [CT199135]	SRB	

APPROVALS	DATE
DRAWN RJS	6-29-11
CHECKED RJS	6-29-11
APPROVED AJD	6-29-11

<b>KOHLER CO.</b>		METRIC	PRO-E
POWER SYSTEMS, KOHLER, WI 53044 U.S.A.			
THIS DRAWING IN DESIGN AND DETAIL IS KOHLER CO. PROPERTY AND MUST NOT BE USED EXCEPT IN CONNECTION WITH KOHLER CO. WORK. ALL RIGHTS OF DESIGN OR INVENTION ARE RESERVED.			
TITLE DIMENSION PRINT, 500-600KW ENCLS & TANKS			
SCALE 0.08	CAD NO.	SHEET 6 of 7	
DWG NO. ADV-8417			D

8 7 6 5 4 3 2 1

D

D

C

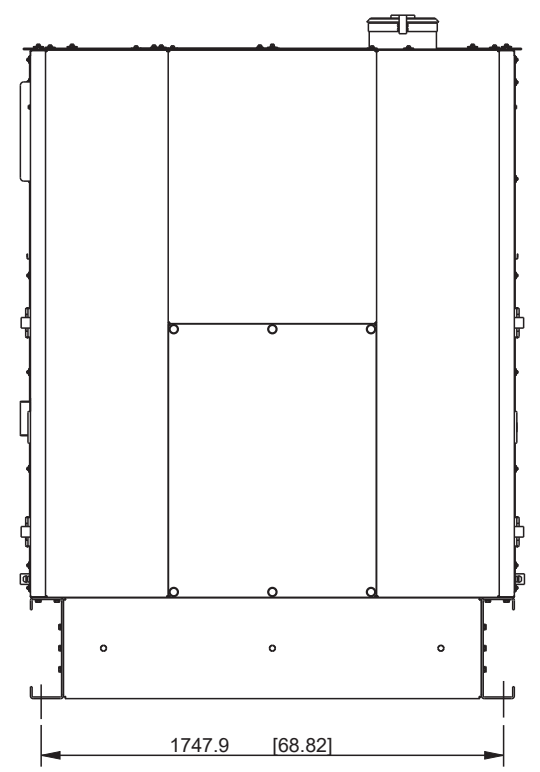
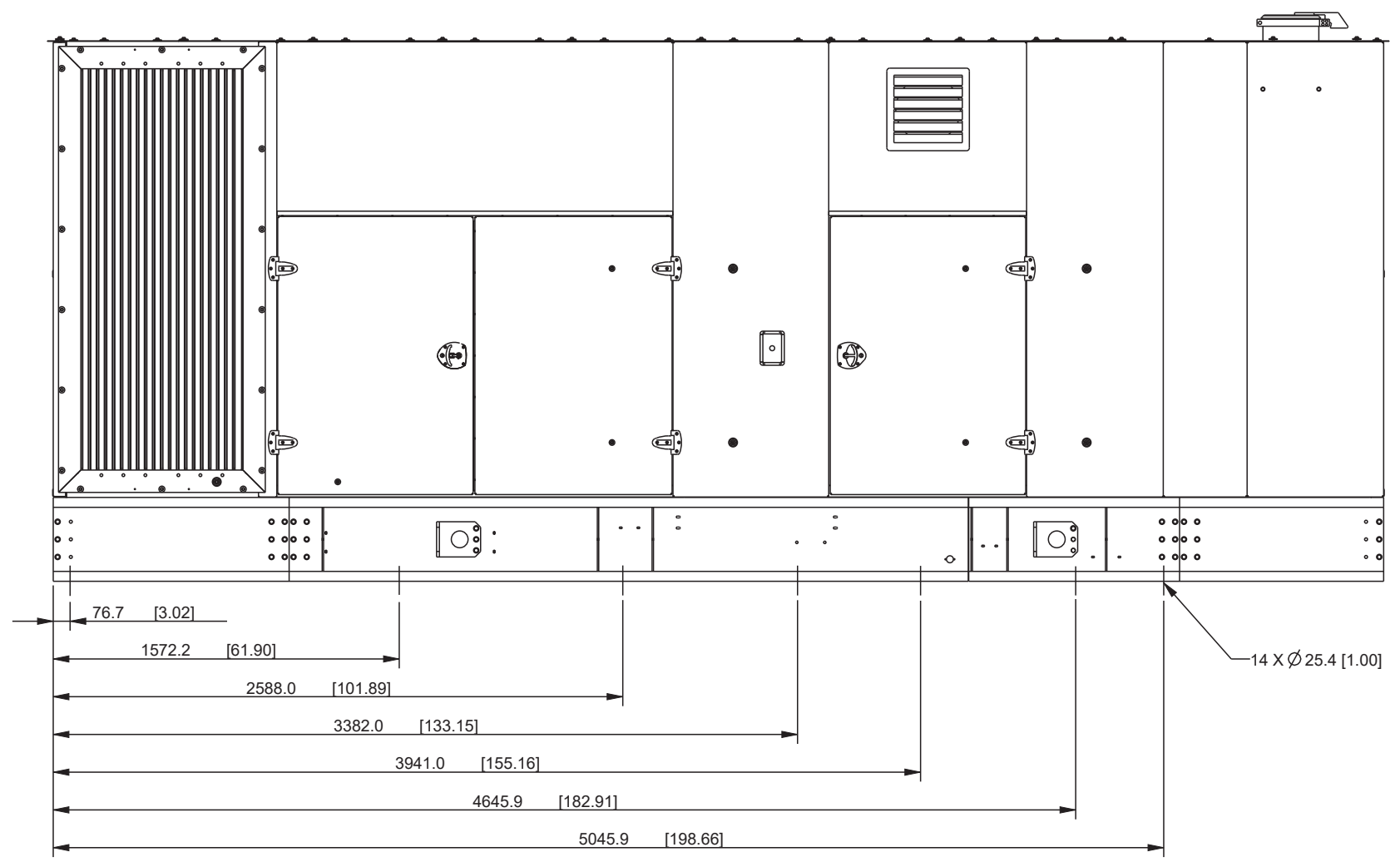
C

B

B

A

A



NOTES:

FOR PROPER ASSEMBLY METHOD OF HARDWARE,  
 USE G-585 AS A GUIDELINE.

500-600KW REOZVB/C  
 STEEL/ALUM ENCL & TANKS  
 SOUND & WEATHER

REV	DATE	ON COMPOSITE DWGS, SEE PART NO. FOR REVISION LEVEL	BY	UNLESS OTHERWISE SPECIFIED - 1) DIMENSIONS ARE IN MILLIMETERS 2) TOLERANCES ARE:	SDS	PRO-E
B	1-10-13	SEE SHEET 1 [CT34883]	SDS	X.XX ± 0.25		
C	8-10-17	SEE SHEETS 1,2,4,5,6 [CT172496]	RMJ	X.X ± 1.0		
D	11-25-19	SEE SHEET 1 & 3 [CT199135]	SRB	X ± 1.5 ANGLES ± 0° 30'		
				THIRD ANGLE PROJECTION		
				APPROVALS	DATE	
				DRAWN	SDS	1-10-13
				CHECKED	RJS	1-10-13
				APPROVED	AJD	1-10-13
				SURFACE FINISH		
				MAX.		
				TITLE		
				DIMENSION PRINT, 500-600KW ENCLS & TANKS		
				SCALE	0.05	CAD NO.
				DWG NO.	ADV-8417	SHEET 7 of 7

8 7 6 5 4 3 2 1