

INSTALLATION NOTE
 IF SUBBASE FUEL TANK AND/OR SOUND HOUSING IS USED, REFER TO SUBBASE FUEL TANK DRAWING TO DETERMINE MOUNTING LOCATIONS

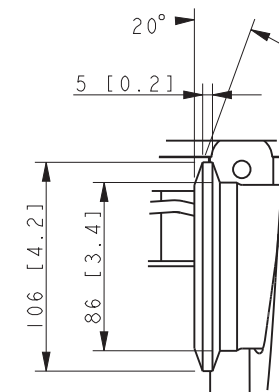
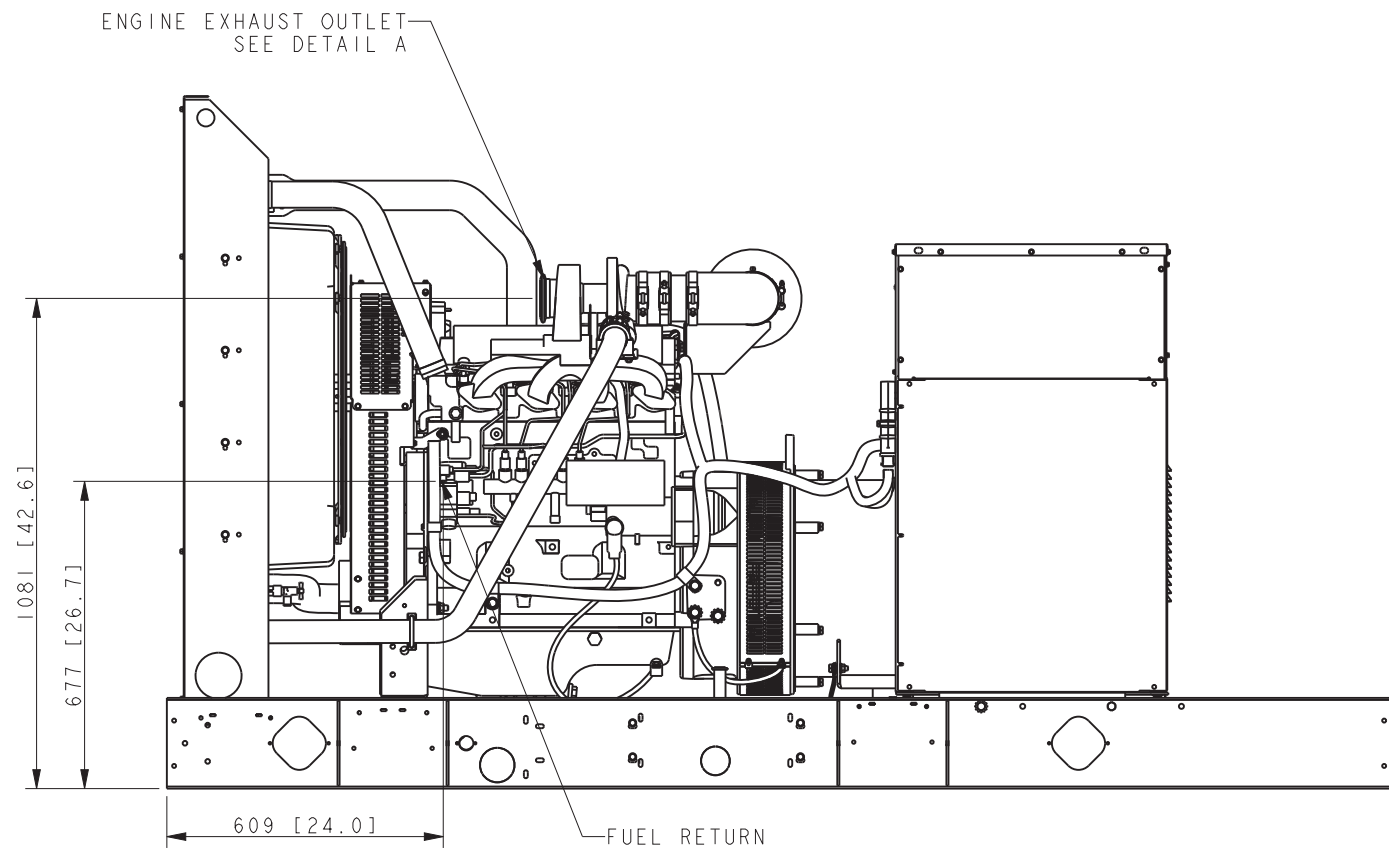
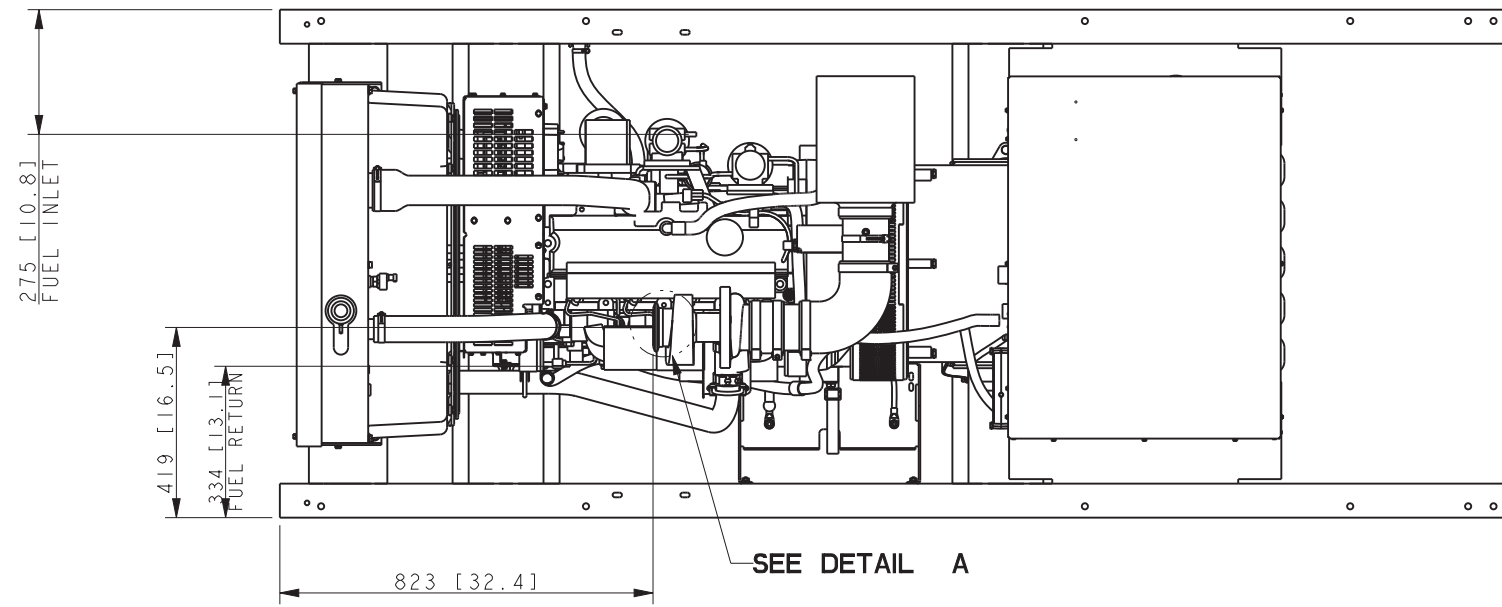
MODEL	GENSET WEIGHT (WET)
125 4R12X	1190 KG [2623 LBS]
125 4R13X, 4T13X	1226 KG [2702 LBS]

NOTES
 DIMENSIONS IN [] ARE ENGLISH EQUIVALENTS.
 IF AN ENCLOSURE IS USED, THE FUEL LINE MUST BE STUBBED UP FROM DIRECTLY UNDER THE UNIT OR BROUGHT IN FROM THE END OF THE SKID. REFER TO ENCLOSURE ADV.
 IF IBC CERTIFICATION IS REQUIRED SEE SEISMIC ADV FOR INSTALLATION INSTRUCTIONS.

- ▲ 4 HOLES FOR STANDARD MOUNTING Ø25.4 [1.00]
- 8 HOLES FOR IBC MOUNTING Ø25.4 [1.00]

125 MODEL, 4R12X, 4R13X, 4T13X RECONNECTABLE IMPROVE MOTOR STARTING (IMS) RECONNECTABLE 600V & 1 PHASE ALTERNATORS 4045HF285 JOHN DEERE, TIER III

REV	DATE	ON COMPOSITE DWGS. SEE PART NO. FOR REVISION LEVEL	BY	UNLESS OTHERWISE SPECIFIED - 1) DIMENSIONS ARE IN MILLIMETERS 2) TOLERANCES ARE:	APPROVALS	DATE	TITLE
-	5-20-11	NEW DRAWING [91379-4]	KMP	X.XX ± 0.25 X.X ± 1.0 X ± 1.5 ANGLES ± 0° 30' MAX.			KOHLER CO. METRIC PRO-E POWER SYSTEMS, KOHLER, WI 53044 U.S.A. THIS DRAWING IN DESIGN AND DETAIL IS KOHLER CO. PROPERTY AND MUST NOT BE USED EXCEPT IN CONNECTION WITH KOHLER CO. WORK. ALL RIGHTS OF DESIGN OR INVENTION ARE RESERVED.
A	10-10-13	(A-5) 460 [18.1], (A-6) 2035 [80.1] & 2340 [92.1] ADDED; (A-8) NOTE FOR STANDARD & IBC MOUNTING ADDED [CT59787]	SVP	THIRD ANGLE PROJECTION			DIMENSION PRINT, 125 MODEL
B	10-13-14	(A-4,B-2) 4T13X ADDED, 4T12X REMOVED [CT95127]	SAM				SCALE 0.12 CAD NO. SHEET 1 of 2
C	4-25-17	(A-8) 8 WAS 10, SQUARE SYMBOL REMOVED [CT173619]	PAS				ADV-8182 D



DETAIL A
SCALE 0.520
EXHAUST OUTLET

REV	DATE	ON COMPOSITE DWGS. SEE PART NO. FOR REVISION LEVEL	BY	UNLESS OTHERWISE SPECIFIED - 1) DIMENSIONS ARE IN MILLIMETERS 2) TOLERANCES ARE:	TITLE
-	5-23-11	NEW DRAWING [91379-4]	KMP	X.XX ± 0.25	KOHLER CO. METRIC PRO-E POWER SYSTEMS, KOHLER, WI 53044 U.S.A. THIS DRAWING IN DESIGN AND DETAIL IS KOHLER CO. PROPERTY AND MUST NOT BE USED EXCEPT IN CONNECTION WITH KOHLER CO. WORK. ALL RIGHTS OF DESIGN OR INVENTION ARE RESERVED.
A	10-10-13	SEE SHEET 1 [CT59787]	SVP	X.X ± 1.0	
B	10-13-14	SEE SHEET 1 [CT95127]	SAM	X ± 1.5	
C	4-25-17	SEE SHEET 1 [CT173619]	PAS	ANGLES ± 0° 30' MAX.	
				THIRD ANGLE PROJECTION	DIMENSION PRINT, 125 MODEL SCALE 0.12 CAD NO. SHEET 2 of 2 DWG NO. ADV-8182
				APPROVALS	
				DATE	
				DRAWN KMP	5-23-11
				CHECKED PLD	5-23-11
				APPROVED GDF	5-23-11