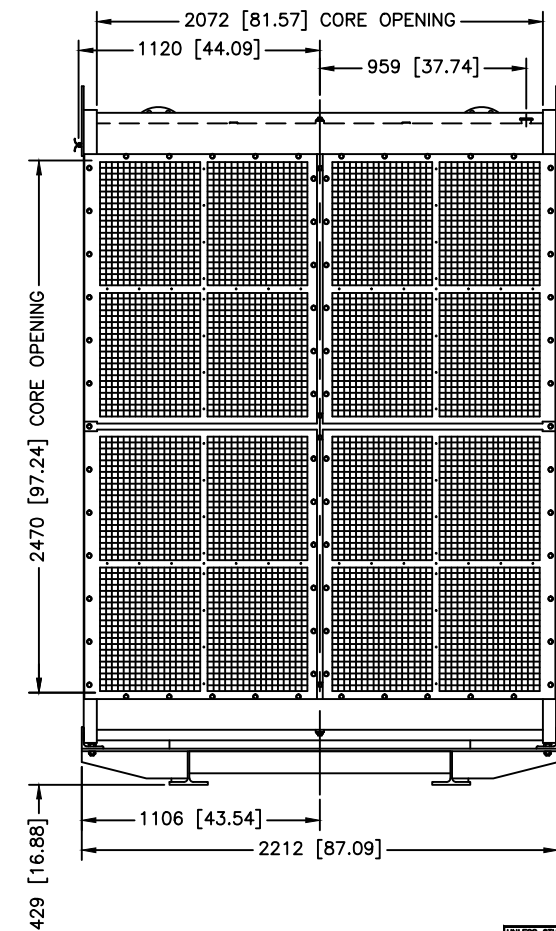


INSTALLATION NOTE
 IF SUBBASE FUEL TANK AND/OR SOUND HOUSING IS USED, REFER TO SUBBASE FUEL TANK ADV TO DETERMINE MOUNTING LOCATIONS.

REV	DATE	REVISION	BY
-	4-28-11	NEW DRAWING [91304-3]	DJV
A	5-19-11	(D-6) TOP CONDUIT ENTRY AREA ADDED [91691]	KJB
B	2-9-12	(C-8) ADD DIMS 1690 [86.5], 845 [33.3] & (A-8) 864 [34.0]	CEK
C	10-6-15	(C-3) REMOVE BUS CONNECTIONS VIEW [CT05336]	SAM
		(A-7,8, 5) MOUNTING HOLES RELOCATED [CT126429]	



NOTE:
 DIMENSIONS IN [] ARE IN ENGLISH EQUIVALENTS.
 MAXIMUM WET WEIGHT OF GENSET LESS ACCESSORIES: 15,880 KG [35,000 LBS].

METRIC CAD FILE

1820 MODEL 60 HZ
 7M4052, 7M4054, 7M4056, 7M4058, 7M4176, 7M4292, 7M4370, 7M4374
 2000 MODEL 60 HZ
 7M4054, 7M4056, 7M4058, 7M4176, 7M4292, 7M4374
 380V, 600V, 4160-3300V ALTERNATORS
 45C COOLING SYSTEM
 MITSUBISHI, TIER I

UNLESS OTHERWISE SPECIFIED -
 1) DIMENSIONS ARE IN MILLIMETERS
 2) TOLERANCES ARE:
 .XX ± SURFACE FINISH
 .XX ± MAX.
 X ± ANOLES ±

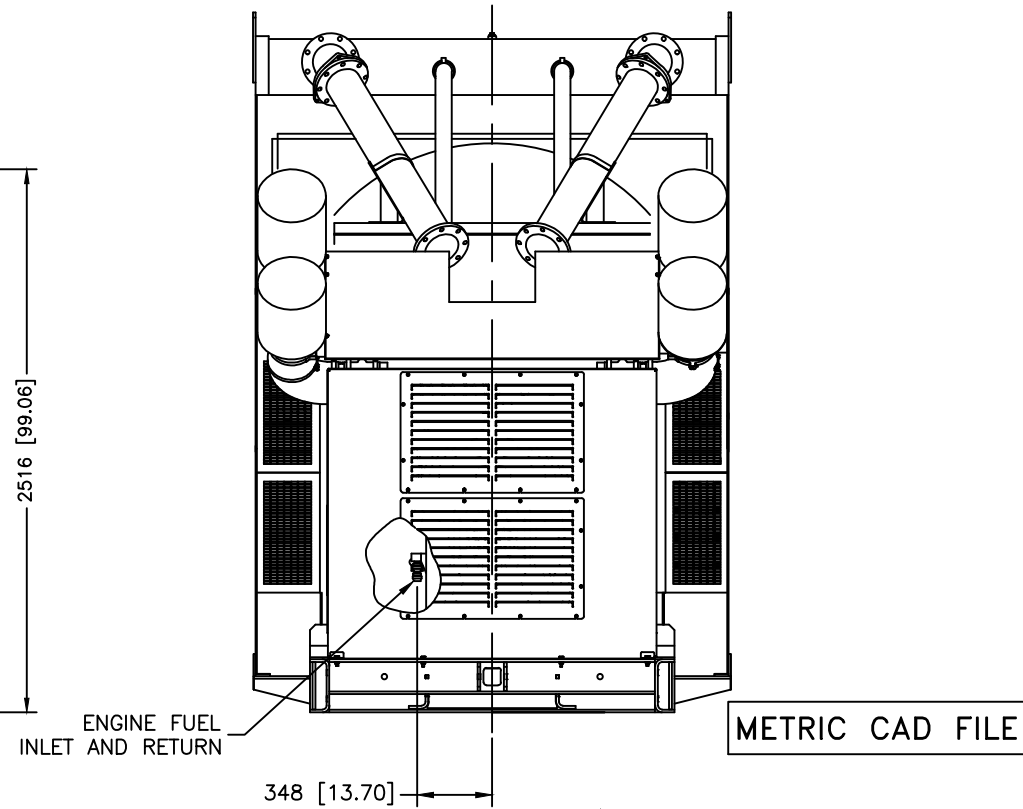
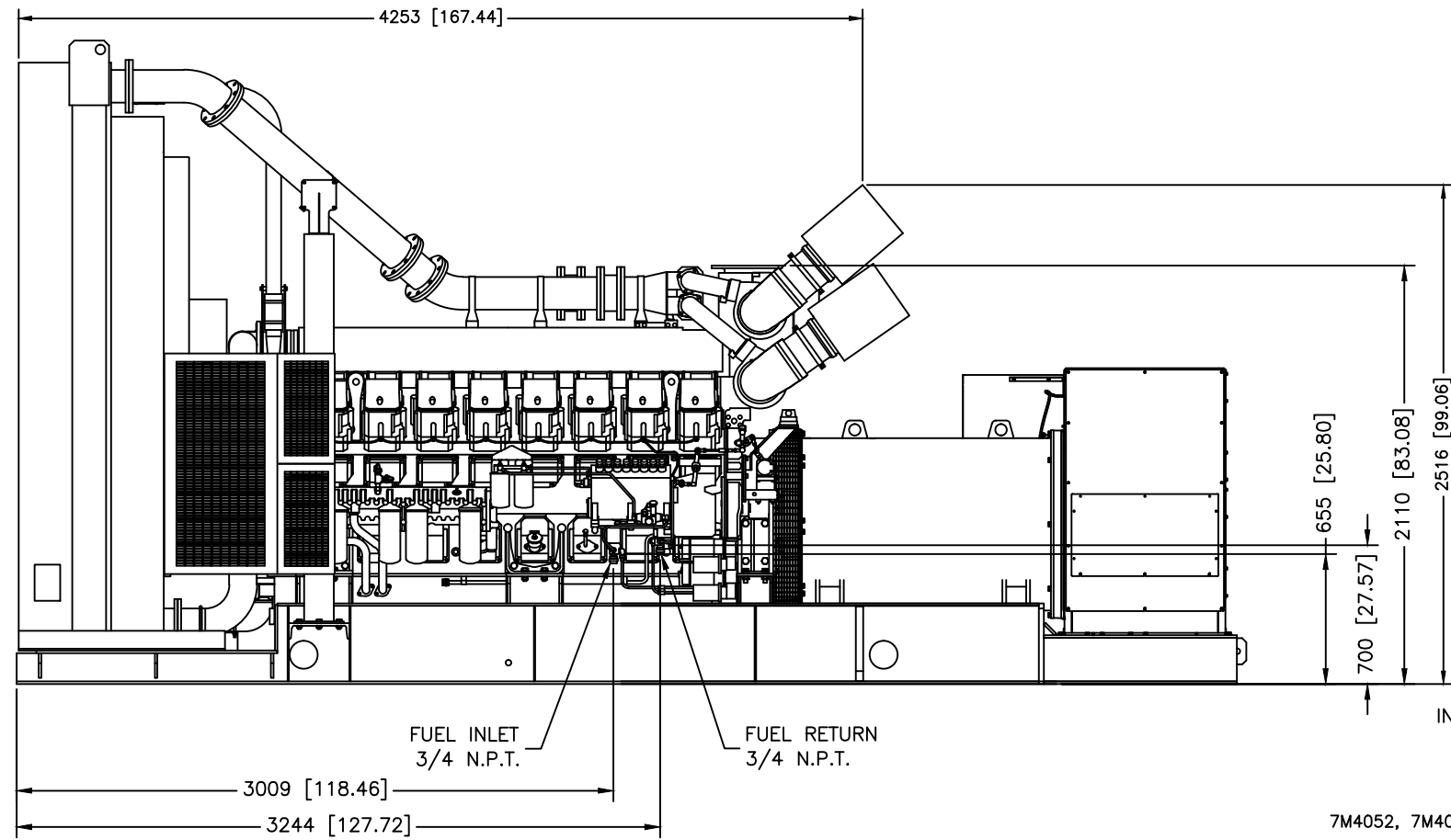
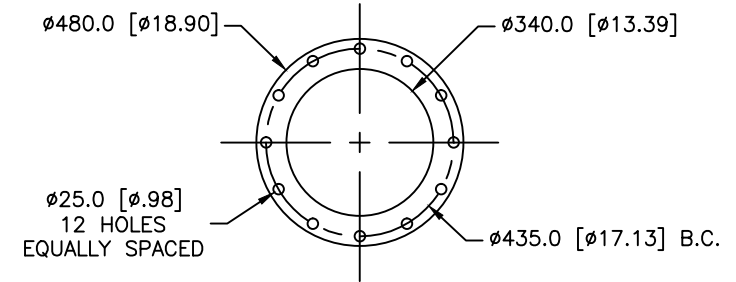
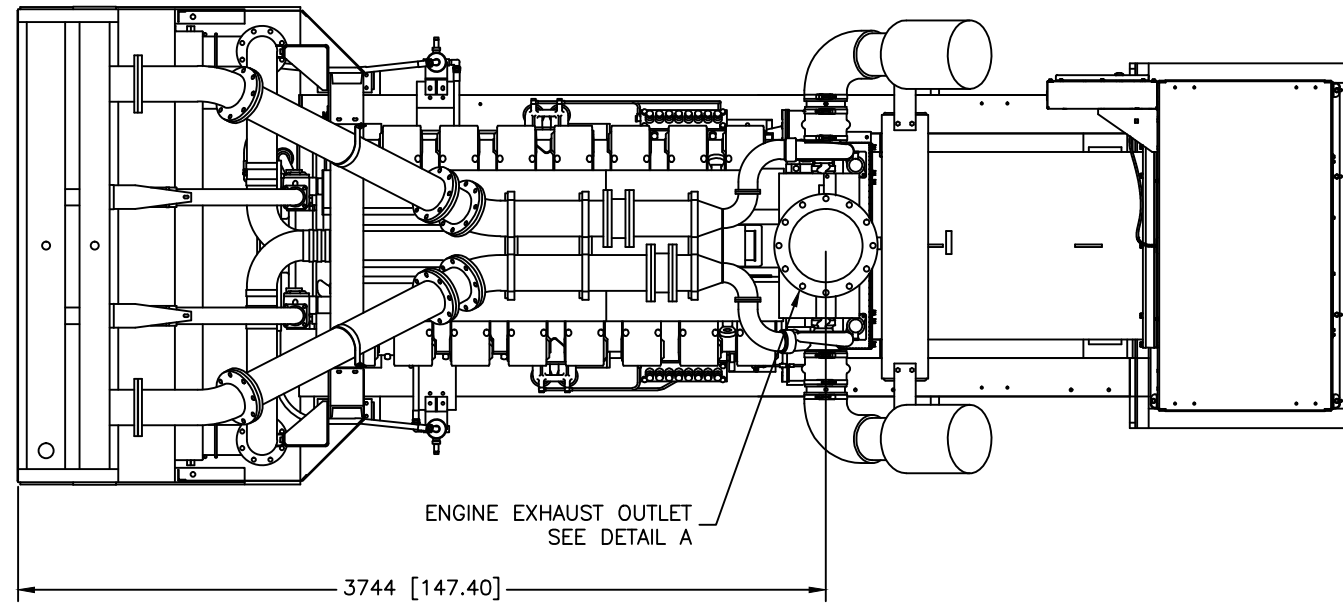
KOHLER CO.
 POWER SYSTEMS, KOHLER, WI 53044 U.S.A.
 THIS DRAWING, IN DESIGN AND DETAIL, IS KOHLER CO. PROPERTY AND MUST NOT BE USED EXCEPT IN CONNECTION WITH KOHLER CO. WORK. ALL RIGHTS OF DESIGN OR INVENTION ARE RESERVED.

TITLE
 DIMENSION PRINT
 1820/2000ROZMC

SCALE .07XP
 SHEET 1-4
 ADV-8179
 D

APPROVALS: DRAWN: DJV, DATE: 4-28-11, CHECKED: DJV, DATE: 4-28-11, APPROVED: WRD, DATE: 4-28-11

REV	DATE	REVISION	BY
-	4-28-11	NEW DRAWING [91304-3]	DJV
A	5-19-11	SEE SHEET 1 [91691]	KJB
B	2-9-12	SEE SHEET 1 [CT05336]	CEK
C	10-6-15	SEE SHEET 1 [CT126429]	SAM



1820 MODEL 60 HZ
7M4052, 7M4054, 7M4056, 7M4058, 7M4176, 7M4292, 7M4370, 7M4374
2000 MODEL 60 HZ
7M4054, 7M4056, 7M4058, 7M4176, 7M4292, 7M4374
380V, 600V, 4160-3300V ALTERNATORS
45C COOLING SYSTEM
MITSUBISHI, TIER 1

NOTE: DIMENSIONS IN [] ARE IN ENGLISH EQUIVALENTS.

UNLESS OTHERWISE SPECIFIED -
 1) DIMENSIONS ARE IN MILLIMETERS
 2) TOLERANCES ARE:
 XX.XX ± SURFACE FINISH
 XX.X ± MAX.
 X ±
 ANGLES ±

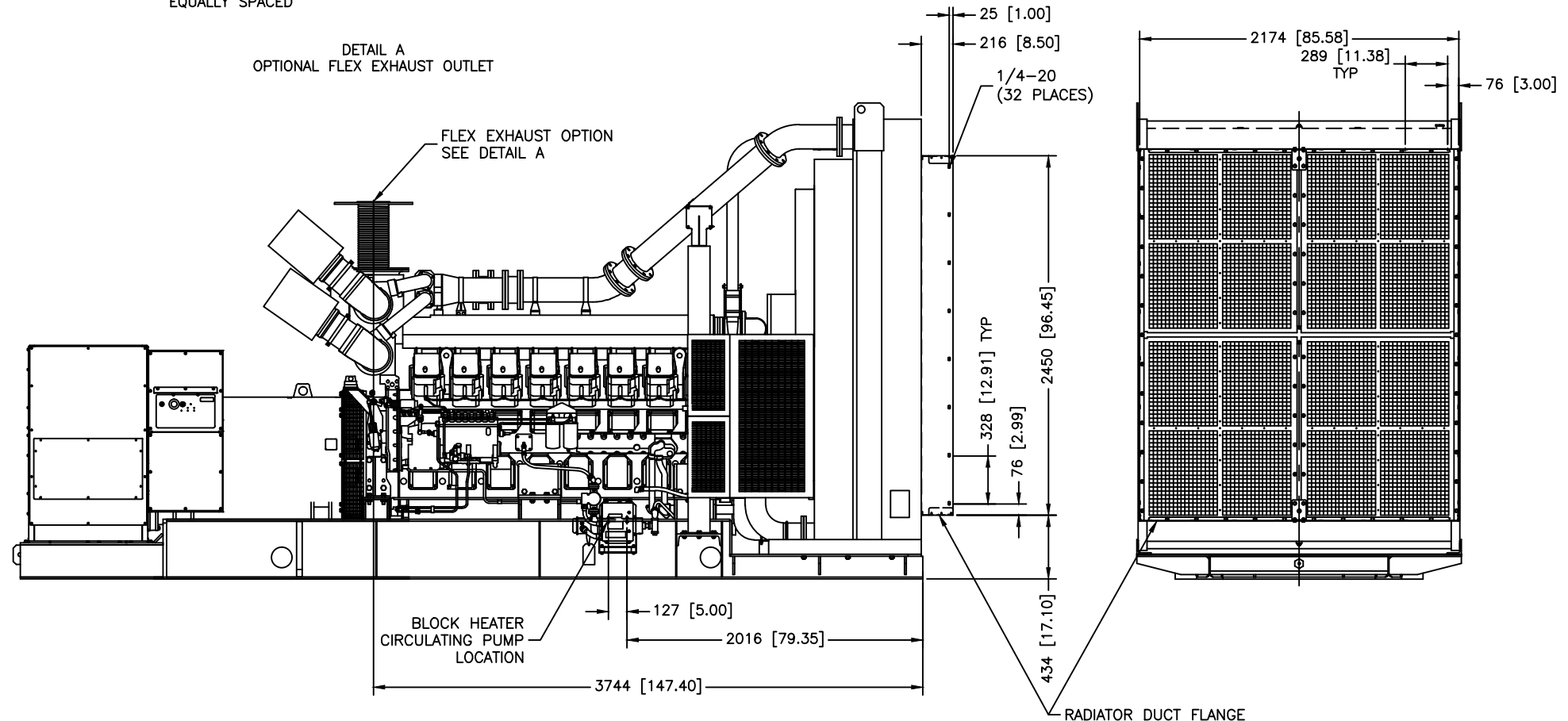
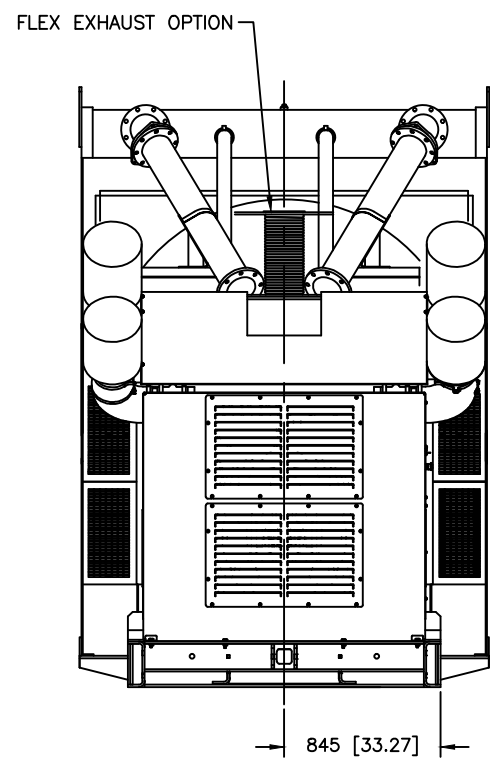
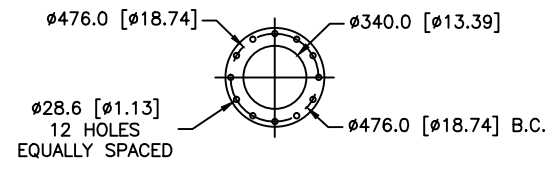
KOHLER CO.
 POWER SYSTEMS, KOHLER, WI 53044 U.S.A.
 THIS DRAWING, IN DESIGN AND DETAIL, IS KOHLER CO. PROPERTY AND
 MUST NOT BE USED EXCEPT IN CONNECTION WITH KOHLER CO. WORK.
 ALL RIGHTS OF DESIGN OR INVENTION ARE RESERVED.

DIMENSION PRINT
 1820/2000ROZMC

APPROVALS	DATE	TITLE
DRAWN DJV	4-28-11	1820/2000ROZMC
CHECKED DJV	4-28-11	
APPROVED WRD	4-28-11	

SCALE .07X PLOT NO. SHEET 2-4
 ADV-8179 D
 PLOTTED DATE

REV	DATE	REVISION	BY
-	4-28-11	NEW DRAWING [91304-3]	DJV
A	5-19-11	SEE SHEET 1 [91691]	KJB
B	2-9-12	SEE SHEET 1 [CT05336]	CEK
C	10-6-15	SEE SHEET 1 [CT126429]	SAM



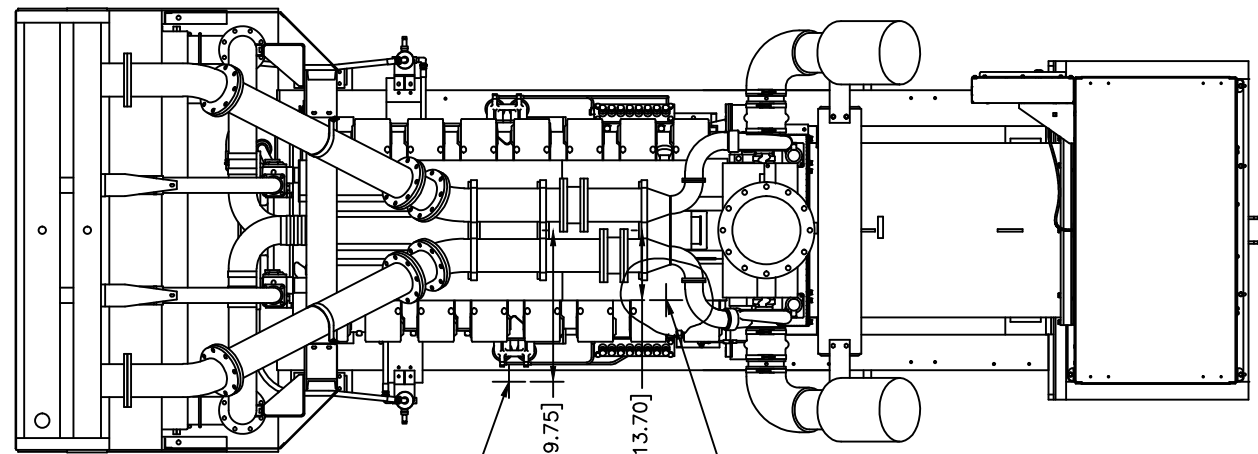
METRIC CAD FILE

NOTE: DIMENSIONS IN [] ARE IN ENGLISH EQUIVALENTS.

1820 MODEL 60 HZ
 7M4052, 7M4054, 7M4056, 7M4058, 7M4176, 7M4292, 7M4370, 7M4374
 2000 MODEL 60 HZ
 7M4054, 7M4056, 7M4058, 7M4176, 7M4292, 7M4374
 380V, 600V, 4160-3300V ALTERNATORS
 45C COOLING SYSTEM
 MITSUBISHI, TIER 1

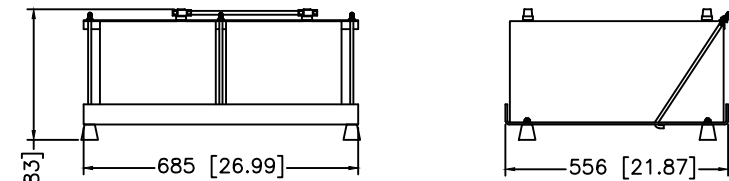
UNLESS OTHERWISE SPECIFIED -		SURFACE FINISH	
1) DIMENSIONS ARE IN MILLIMETERS		✓ MAX.	
2) TOLERANCES ARE			
XXX ±			
XX ±			
X ±			
ANGLES ±			
HARD ANGLE PRECEDENCE			
APPROVALS	DATE	TITLE	SCALE
DRAWN DJV	4-28-11	DIMENSION PRINT	SCALE .JOBXP
CHECKED DJV	4-28-11	1820/2000ROZMC	SHEET 3-4
APPROVED WRD	4-28-11	ADV-8179	D

REV	DATE	REVISION	BY
-	4-28-11	NEW DRAWING [91304-3]	DJV
A	5-19-11	SEE SHEET 1 [91691]	KJB
B	2-9-12	SEE SHEET 1 [CT05336]	CEK
C	10-6-15	SEE SHEET 1 [CT126429]	SAM

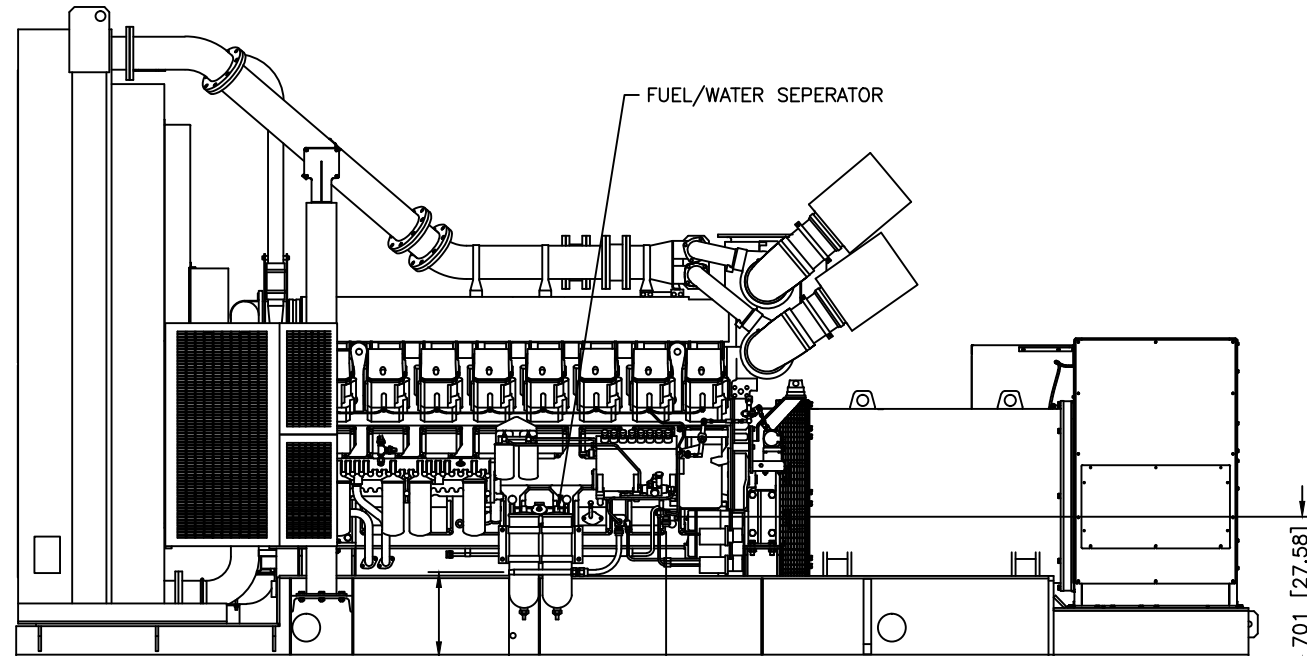


3/4 IN NPT FUEL INLET CONNECTION
756 [29.75]
348 [13.70]
FUEL RETURN

OPTIONAL FUEL INLET AND RETURN LOCATIONS

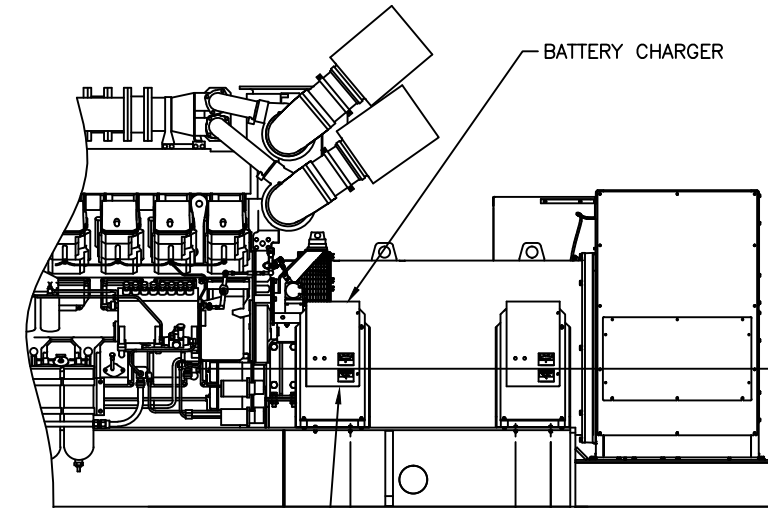


326 [12.83]
685 [26.99]
556 [21.87]
BATTERY AND BATTERY RACK (2-REQ'D)
SCALE: 2X



FUEL/WATER SEPERATOR
701 [27.58]
425 [16.71]
2460 [96.85] FUEL/WATER SEPARATOR INLET
3244 [127.72] FUEL RETURN

FUEL AND WATER SEPARATOR



1/2" CONDUIT CONNECTION TYP
175 [6.9] TYP
700 [27.57]
2095 [82.5] 7M4052, 7M4370, 2138 [84.2] 7M4054, 7M4056, 7M4058, 7M4176, 7M4292, 7M4374
1095 [43.1] 7M4052, 7M4370, 1140 [44.8] 7M4054, 7M4056, 7M4058, 7M4176, 7M4292, 7M4374

METRIC CAD FILE

7M4052, 7M4054, 7M4056, 7M4058, 7M4176, 7M4292, 7M4370, 7M4374
1820 MODEL 60 HZ
2000 MODEL 60 HZ
380V, 600V, 4160-3300V ALTERNATORS
45C COOLING SYSTEM
MITSUBISHI, TIER 1

NOTE: DIMENSIONS IN [] ARE IN ENGLISH EQUIVALENTS.

UNLESS OTHERWISE SPECIFIED -		SURFACE FINISH	
1) DIMENSIONS ARE IN MILLIMETERS		✓ MAX.	
2) TOLERANCES ARE		X.XX ±	
X.X ±		X ±	
ANGLES ±			
3) HOLE DIMENSIONS		H7/g6	
APPROVALS		DATE	
DRAWN	DJV	4-28-11	
CHECKED	DJV	4-28-11	
APPROVED	WRD	4-28-11	
TITLE		DRAWING NO.	
DIMENSION PRINT		SHEET 4-4	
1820/2000ROZMC		ADV-8179	
PLOTTED DATE			