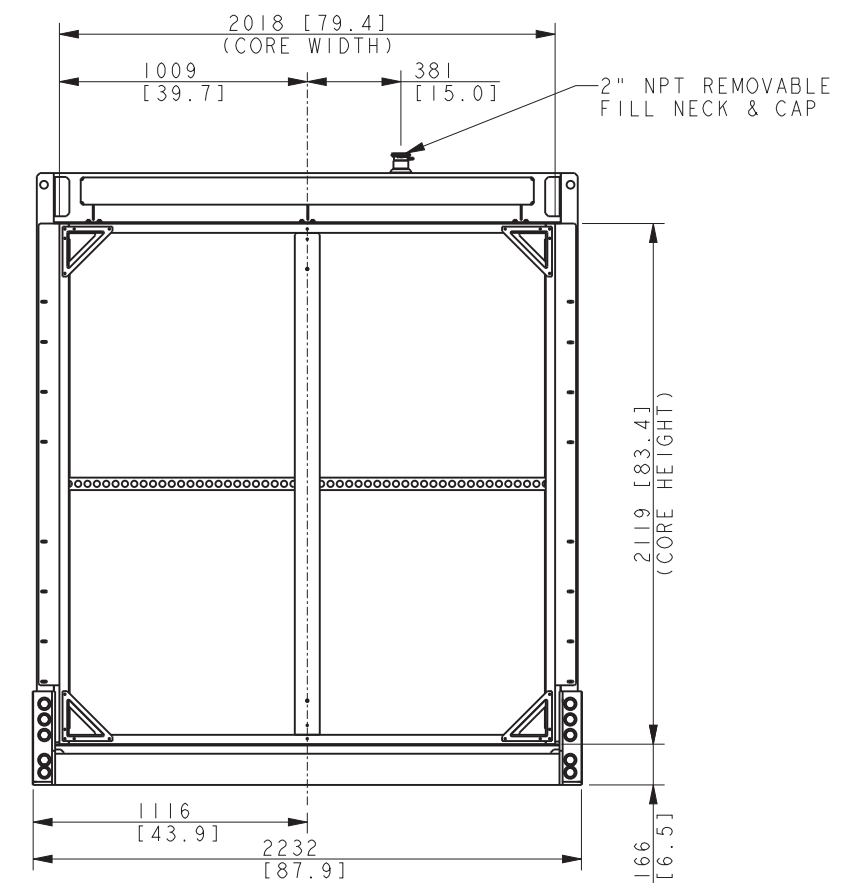
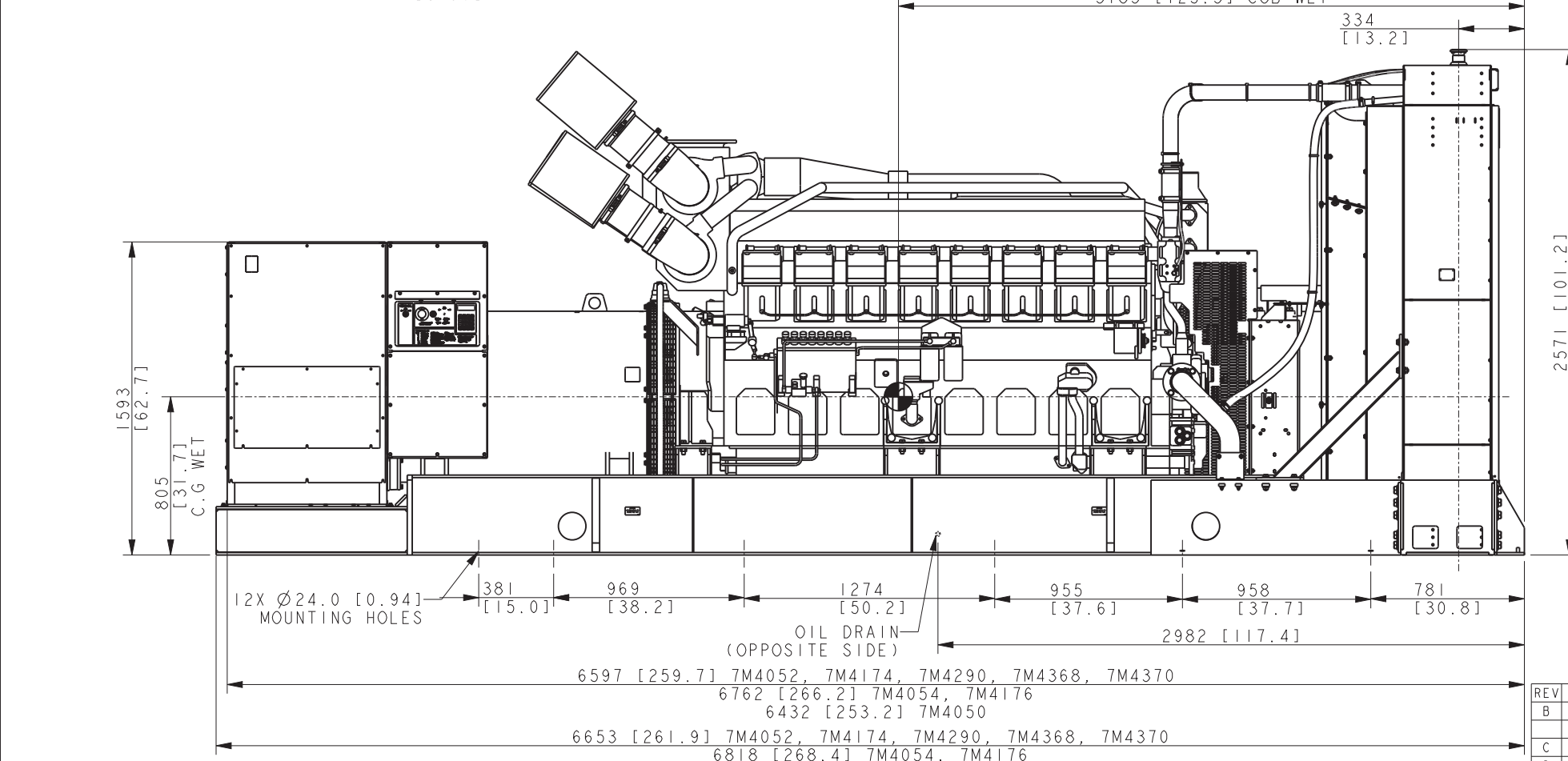


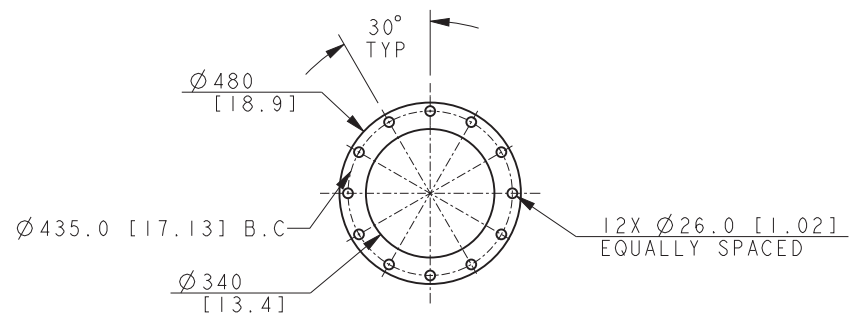
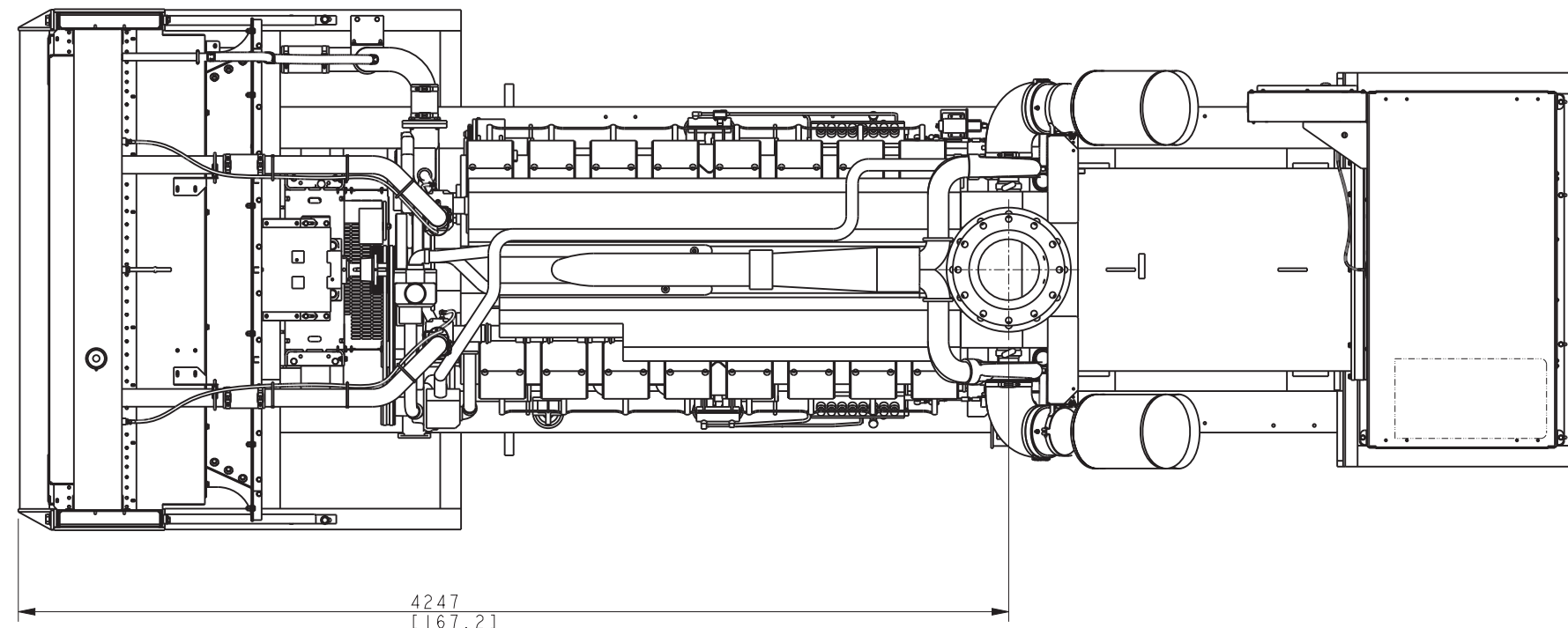
**INSTALLATION NOTE**  
 IF SUBBASE FUEL TANK AND/OR SOUND HOUSING IS USED, REFER TO SUBBASE FUEL TANK ADV TO DETERMINE MOUNTING LOCATIONS.



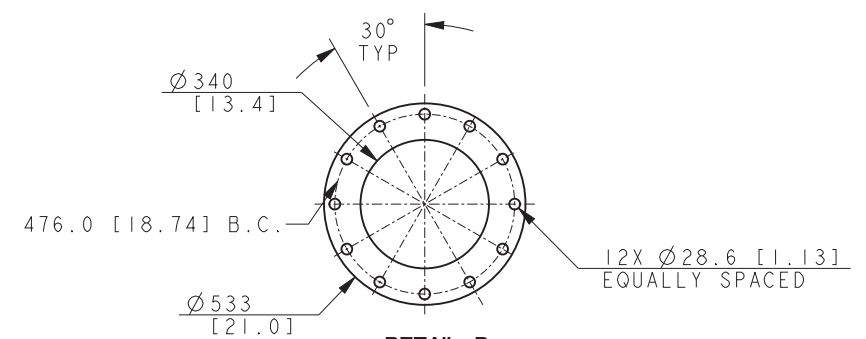
NOTE:  
 DIMENSIONS IN [ ] ARE INCH EQUIVALENTS  
 MAXIMUM WET WEIGHT OF GENSET LESS ACCESSORIES: 14334KG [31600 LBS]  
 IF IBC CERTIFICATION IS REQUIRED, SEE SEISMIC ADV FOR INSTALLATION INSTRUCTIONS.

**1600 MODEL 60 HZ**  
**7M4050, 7M4052, 7M4054, 7M4174,**  
**7M4176, 7M4290, 7M4368, 7M4370**  
**380V, 600V ALTERNATORS**  
**40C & 50C COOLING SYSTEM**  
**MITSUBISHI TIER I**

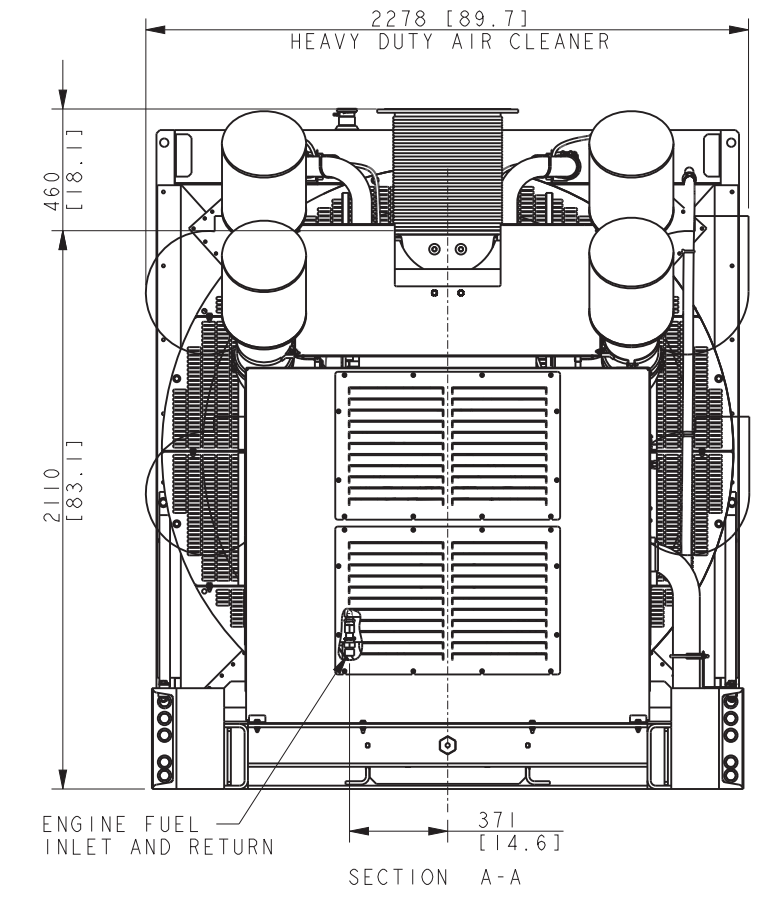
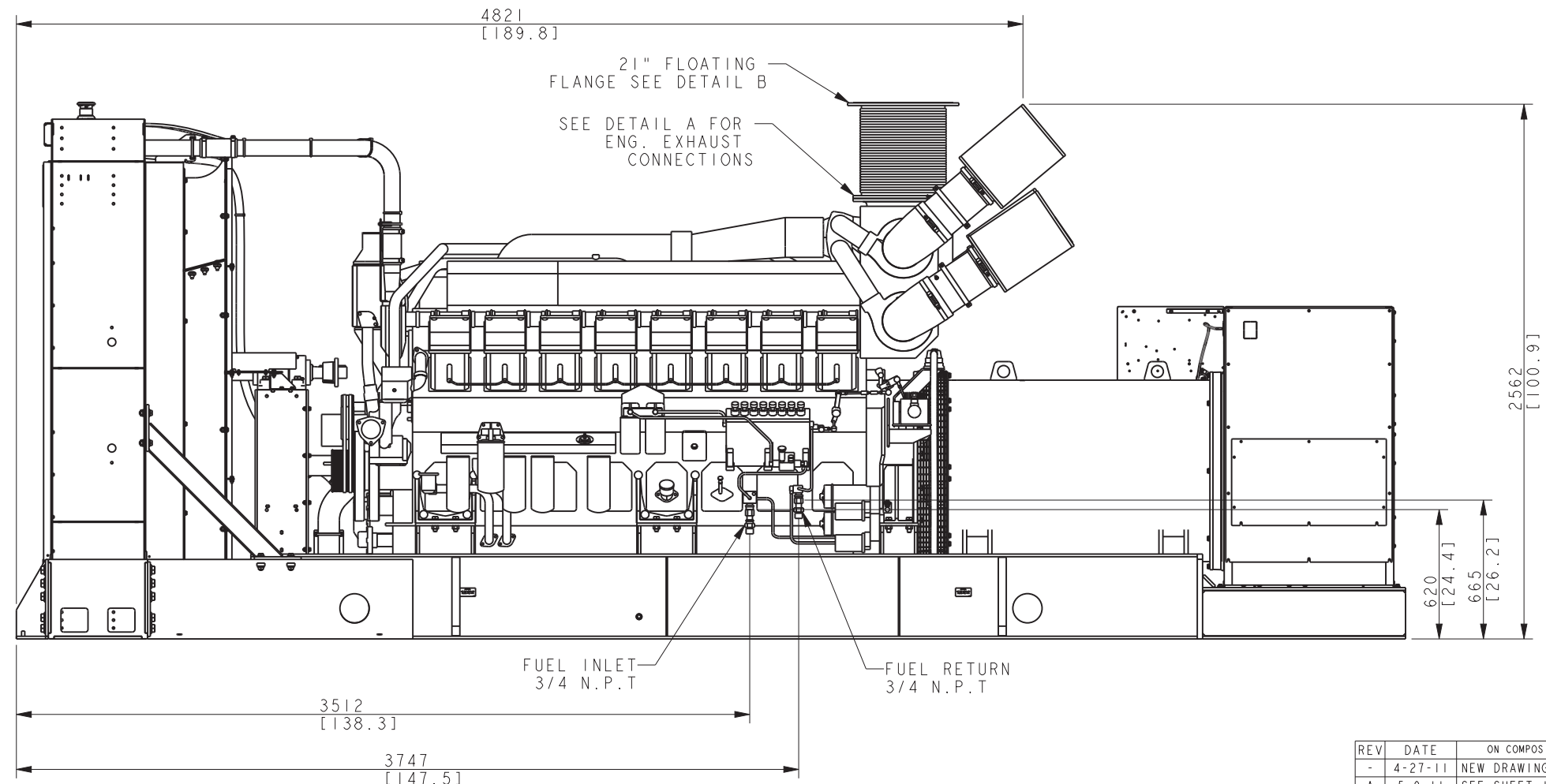
REV	DATE	ON COMPOSITE DWGS, SEE PART NO. FOR REVISION LEVEL	BY	DO NOT SCALE. REFERENCE THE MODEL FOR ALL UNSPECIFIED DIMENSIONS
B	2-9-12	(C-8) ADD DIMS 1690 [66.5] & 845 [33.3]; (C-2) REMOVE BUS CONNECTIONS VIEW [CT05336]	CEK	UNLESS OTHERWISE SPECIFIED: ALL DIMENSIONS IN MILLIMETERS GENERAL TOLERANCES: N/A <b>KOHLER</b> KOHLER, WISCONSIN 53044 THIS DRAWING IN DESIGN AND DETAIL IS KOHLER CO. PROPERTY AND MUST NOT BE USED EXCEPT IN CONNECTION WITH KOHLER CO. WORK. ALL RIGHTS OF DESIGN OR INVENTION ARE RESERVED. TITLE <b>DIMENSION PRINT, 1600ROZMC</b> SCALE 0.07 CAD NO. SHEET 1 of 5 <b>ADV-8177</b>
C	3-19-14	(A-5) 7M4290 WAS 7M7290 [CT75339]	SSH	
D	12-25-18	CREO FORMAT WAS AUTOCAD; (A-7,-6) 6653 [261.9] WAS [255.4] WAS 6536 [257.3]; (B-4) 2571 [101.2] WAS 2566 [101.0], 334 [13.2] WAS 340 [13.4]; SEE SHEET 2, 3, 4 & 5 [CT192693]	PAR	
APPROVALS DRAWN DJV 4-27-11 CHECKED DJV 4-27-11 APPROVED WRD 4-27-11				



**DETAIL A**  
ENGINE EXHAUST FLANGE  
SCALE 0.10



**DETAIL B**  
OPTIONAL FLEX EXHAUST FLANGE  
SCALE 0.10

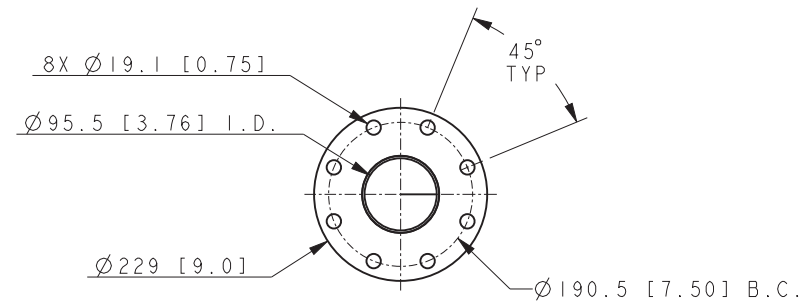


**SECTION A-A**

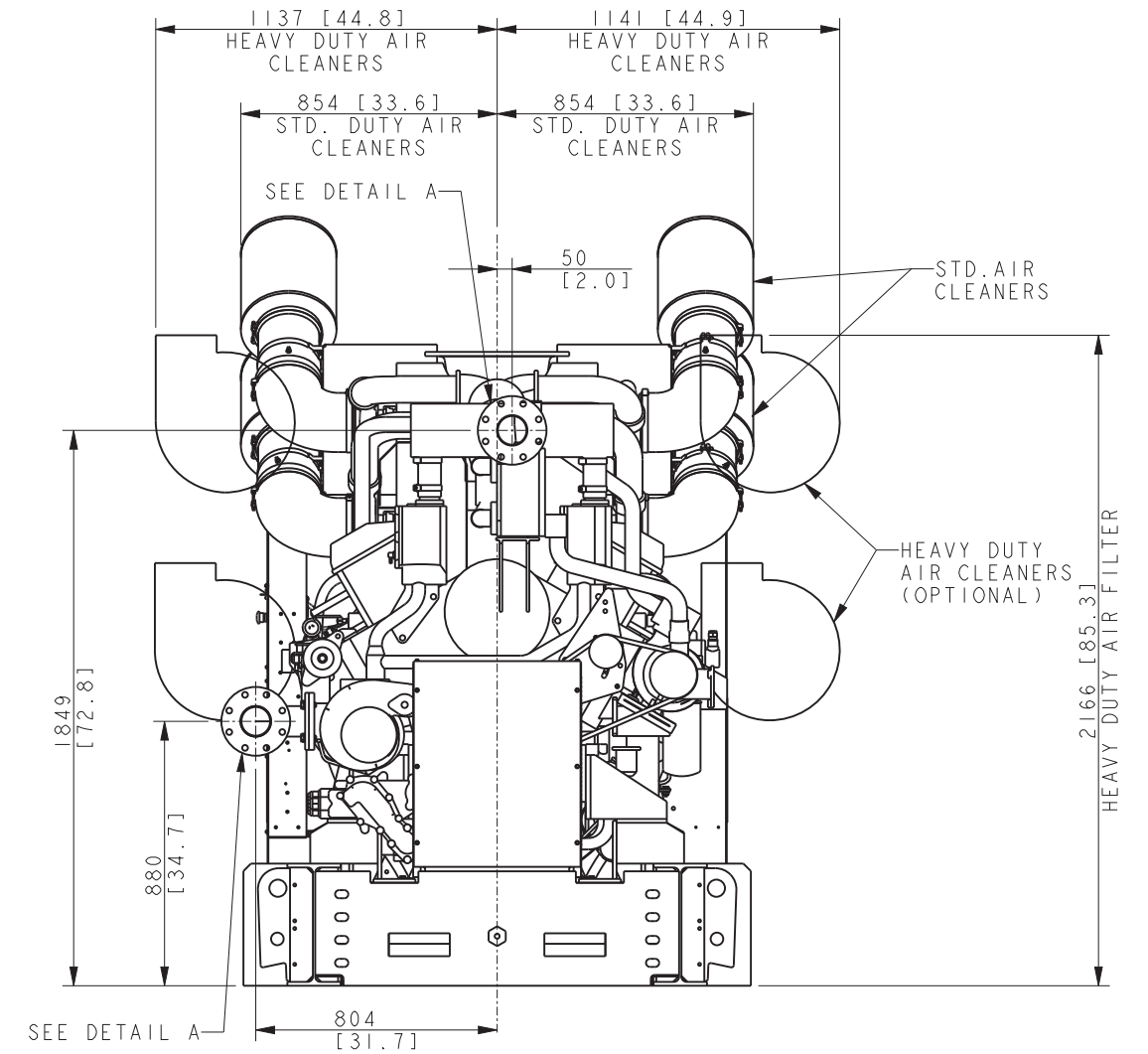
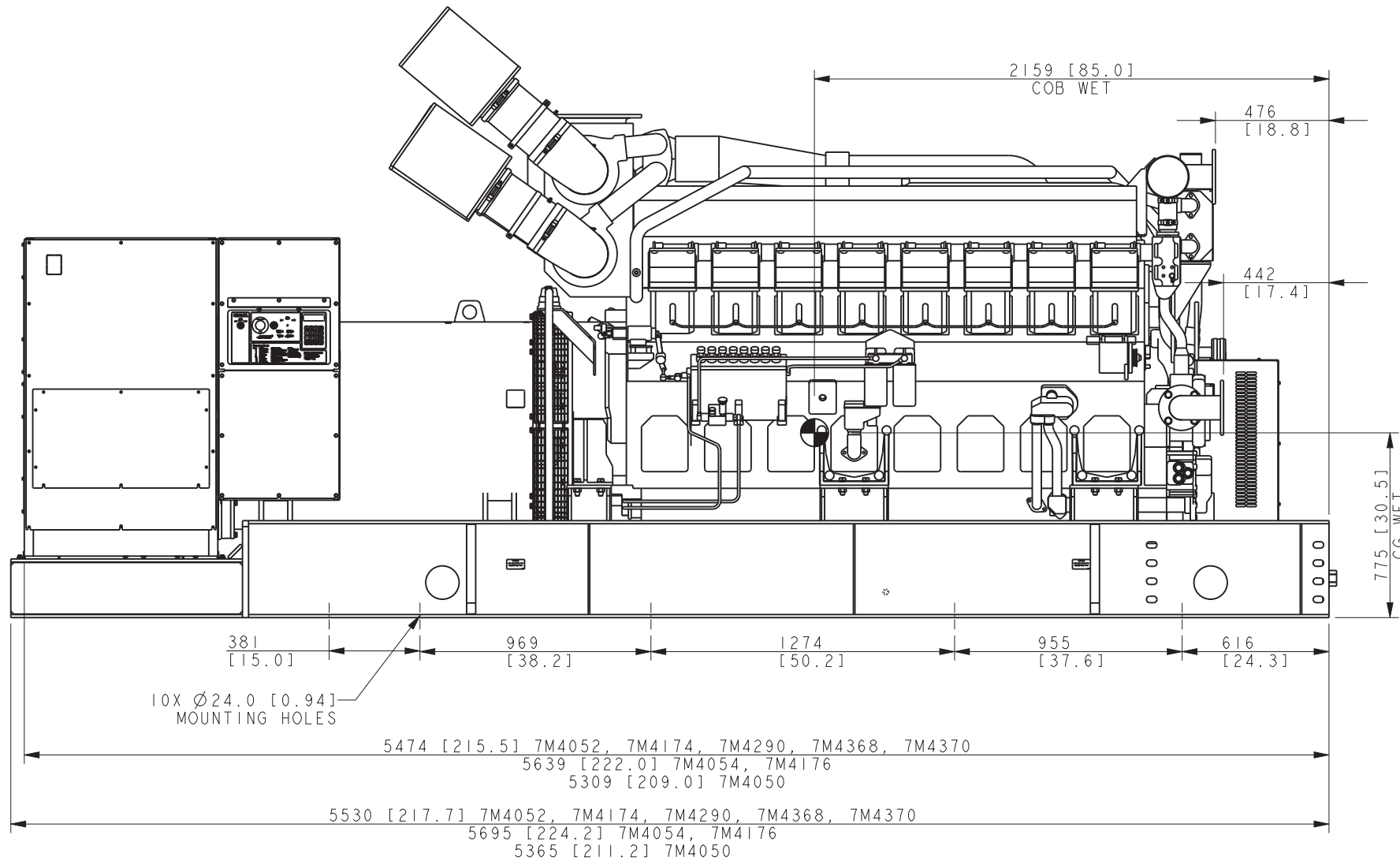
NOTE:  
DIMENSIONS IN [ ] ARE INCH EQUIVALENTS  
IF IBC CERTIFICATION IS REQUIRED, SEE SEISMIC ADV FOR INSTALLATION INSTRUCTIONS.

**1600 MODEL 60 HZ**  
**7M4050, 7M4052, 7M4054, 7M4174,**  
**7M4176, 7M4290, 7M4368, 7M4370**  
**380V, 600V ALTERNATORS**  
**40C & 50C COOLING SYSTEM**  
**mitsubishi TIER I**

REV	DATE	ON COMPOSITE DWGS, SEE PART NO. FOR REVISION LEVEL	BY	DO NOT SCALE, REFERENCE THE MODEL FOR ALL UNSPECIFIED DIMENSIONS												
-	4-27-11	NEW DRAWING [91304-3]	DJV	UNLESS OTHERWISE SPECIFIED: ALL DIMENSIONS IN MILLIMETERS GENERAL TOLERANCES: N/A												
A	5-9-11	SEE SHEET 1 [91691]	KJB													
B	2-9-12	SEE SHEET 1 & 3 [CT05336]	CEK													
C	3-9-14	SEE SHEET 1 [CT75339]	SSH													
D	12-25-18	(C-6) 4821 [189.8] WAS 4763 [187.5]; (B-3) 2562 [100.9] WAS 2524 [99.4]; (A-2) 371 [14.6] WAS 348 [13.7]; (C-2) 2278 [89.7] WAS 2311 [91.0]; HEAVY DUTY AIR CLEANERS ASSEMBLY & VIEW UPDATED; SEE SHEET 1, 3, 4 & 5 [CT192693]	PAR													
				<table border="1"> <tr> <th colspan="2">THIRD ANGLE PROJECTION</th> </tr> <tr> <td></td> <td></td> </tr> <tr> <th>APPROVALS</th> <th>DATE</th> </tr> <tr> <td>DRAWN DJV</td> <td>4-27-11</td> </tr> <tr> <td>CHECKED DJV</td> <td>4-27-11</td> </tr> <tr> <td>APPROVED WRD</td> <td>4-27-11</td> </tr> </table>	THIRD ANGLE PROJECTION				APPROVALS	DATE	DRAWN DJV	4-27-11	CHECKED DJV	4-27-11	APPROVED WRD	4-27-11
THIRD ANGLE PROJECTION																
APPROVALS	DATE															
DRAWN DJV	4-27-11															
CHECKED DJV	4-27-11															
APPROVED WRD	4-27-11															
				<p><b>KOHLER</b> KOHLER, WISCONSIN 53044 THIS DRAWING IN DESIGN AND DETAIL IS KOHLER CO. PROPERTY AND MUST NOT BE USED EXCEPT IN CONNECTION WITH KOHLER CO. WORK. ALL RIGHTS OF DESIGN OR INVENTION ARE RESERVED.</p> <p>TITLE <b>DIMENSION PRINT, 1600ROZMC</b></p> <p>SCALE 0.07 CAD NO. SHEET 2 of 5 DWG NO. <b>ADV-8177</b></p>												



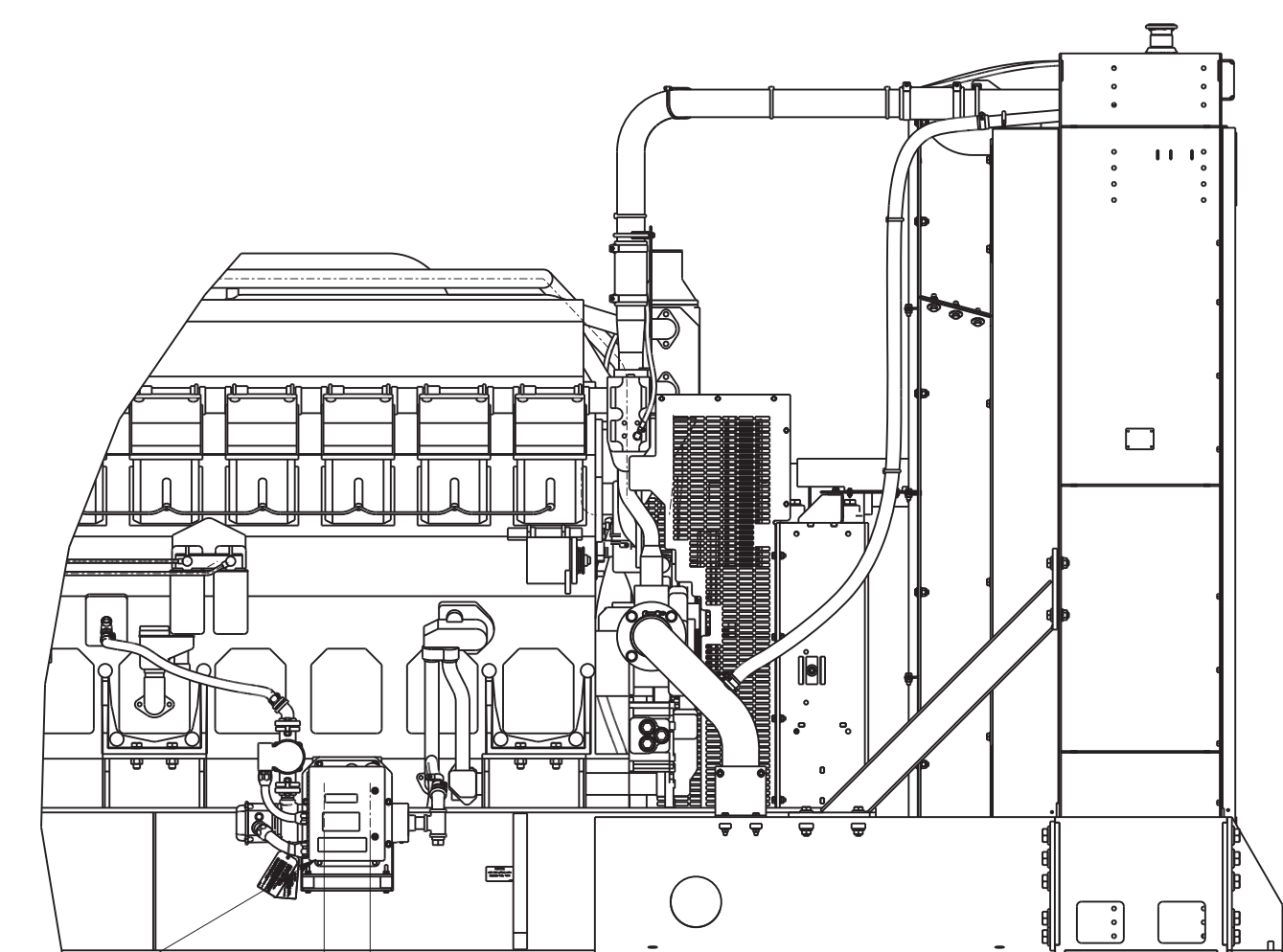
**DETAIL A**  
SCALE 0.20



NOTE:  
FOR PLAN VIEW SEE SHEET 1  
DIMENSIONS IN [ ] ARE INCH EQUIVALENTS  
REMOTE RADIATOR MAXIMUM WET WEIGHT OF GENSET LESS: 12746KG [28100 LBS]  
IF IBC CERTIFICATION IS REQUIRED, SEE SEISMIC ADV FOR INSTALLATION INSTRUCTIONS.

**1600 MODEL 60 HZ**  
**7M4050, 7M4052, 7M4054, 7M4174,**  
**7M4176, 7M4290, 7M4368, 7M4370**  
**380V, 600V ALTERNATORS**  
**REMOTE RADIATOR**  
**mitsubishi TIER I**

REV	DATE	ON COMPOSITE DWGS, SEE PART NO. FOR REVISION LEVEL	BY	DO NOT SCALE. REFERENCE THE MODEL FOR ALL UNSPECIFIED DIMENSIONS
B	2-9-12	(C-5) ADD DIMS 2159 [85.0] COB & 775 [30.5] CG; (A-6) GENSET WEIGHT 12746 [28100] WAS 11204 [24700] [CT05336]	CEK	UNLESS OTHERWISE SPECIFIED: ALL DIMENSIONS IN MILLIMETERS GENERAL TOLERANCES: N/A
C	3-19-14	SEE SHEET 1 [CT75339]	SSH	<b>KOHLER</b> KOHLER, WISCONSIN 53044 THIS DRAWING IN DESIGN AND DETAIL IS KOHLER CO. PROPERTY AND MUST NOT BE USED EXCEPT IN CONNECTION WITH KOHLER CO. WORK. ALL RIGHTS OF DESIGN OR INVENTION ARE RESERVED. TITLE <b>DIMENSION PRINT, 1600ROZMC</b> SCALE 0.08 CAD NO. SHEET 3 of 5 DWG NO. <b>ADV-8177</b>
D	12-25-18	(A-7,-6) 5530 [217.7] WAS 5578 [219.6], 5695 [224.2] WAS 5743 [226.1], 5365 [211.2] WAS 5413 [213.1]; (D-3,-2) 1137 [44.8] WAS 1152 [45.4], 1141 [44.9] WAS 1158 [45.6], 854 [33.6] WAS 1088 [42.8]; (B-1) 2166 [85.3] WAS 2314 [91.6]; SEE SHEET 1, 2, 4 & 5 [CT192693]	PAR	
				APPROVALS      DATE DRAWN      DJV      4-27-11 CHECKED      DJV      4-27-11 APPROVED      WRD      4-27-11

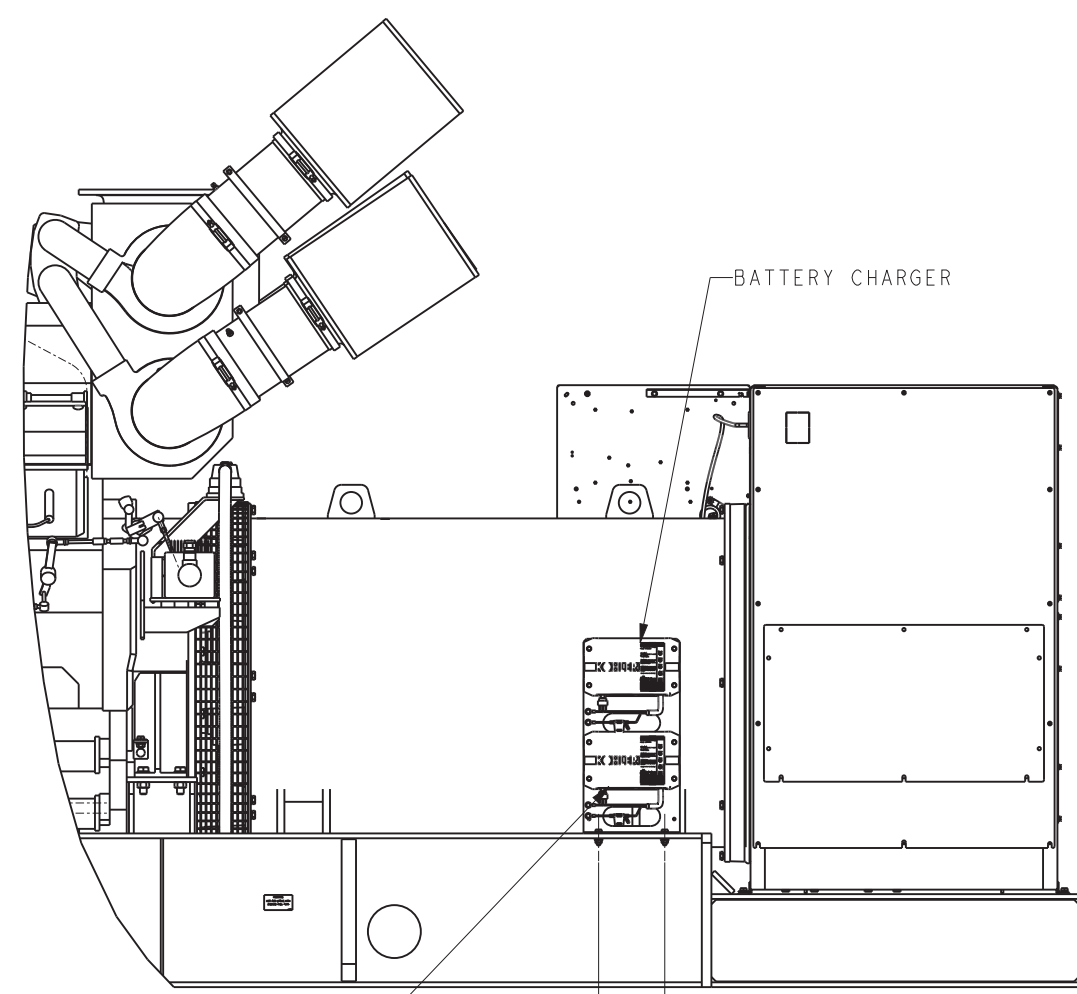


BLOCK HEATER  
CIRCULATING PUMP  
LOCATION

127  
[5.0]

2519 [99.2]

**BLOCK HEATER**



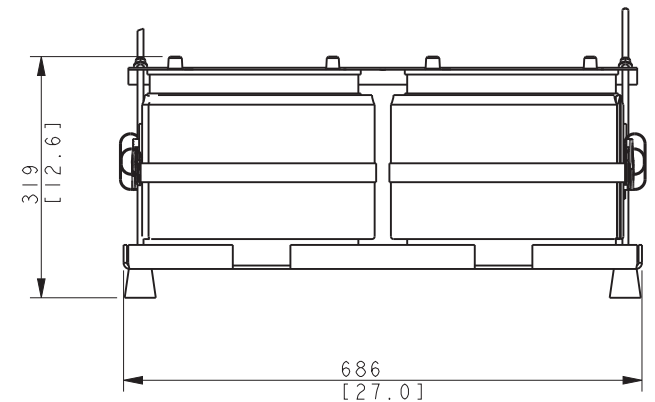
BATTERY CHARGER

1/2" CONDUIT  
CONNECTION

175  
[6.9]

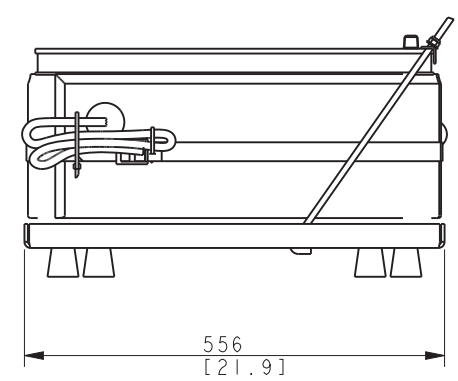
1095 [43.1] 7M4052, 7M4174,  
7M4290, 7M4368, 7M4370  
1212 [47.7] 7M4054, 7M4176  
1090 [42.9] 7M4050

**BATTERY CHARGER**



319  
[12.6]

686  
[27.0]



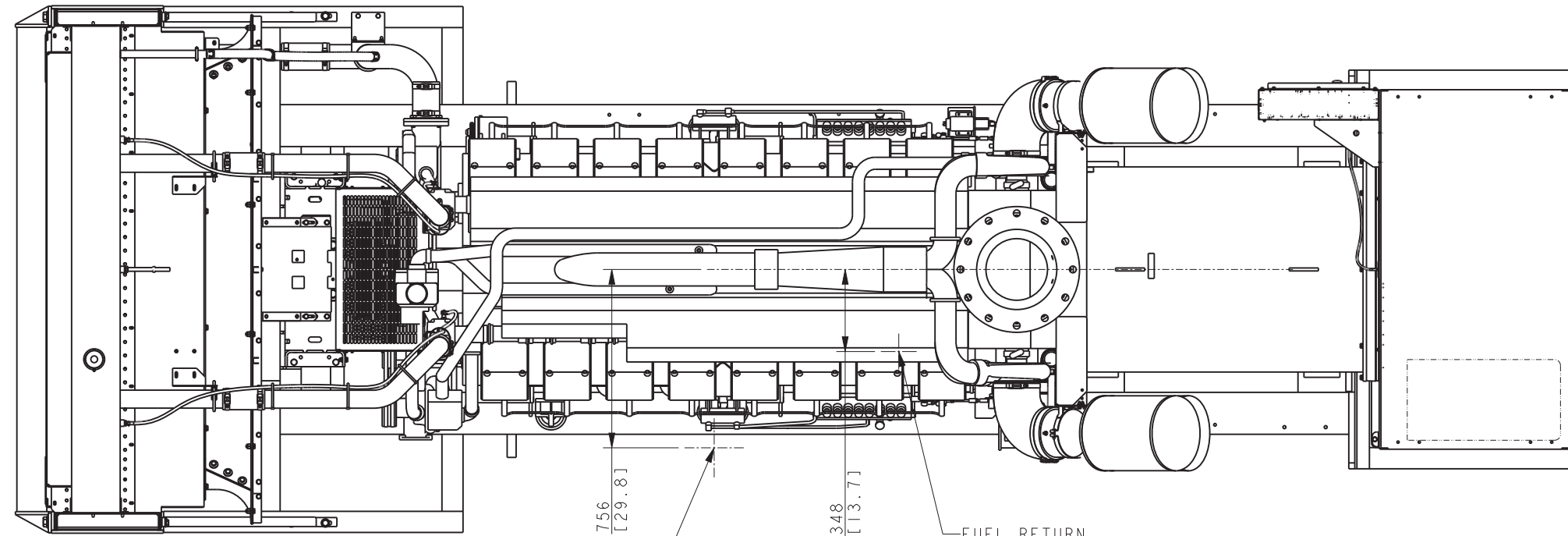
556  
[21.9]

**BATTERY AND BATTERY RACK (2 REQ'D)**  
SCALE 0.20

NOTE:  
DIMENSIONS IN [ ] ARE INCH EQUIVALENTS  
IF IBC CERTIFICATION IS REQUIRED, SEE SEISMIC ADV FOR INSTALLATION INSTRUCTIONS.

1600 MODEL 60 HZ  
7M4050, 7M4052, 7M4054, 7M4174,  
7M4176, 7M4290, 7M4368, 7M4370  
380V, 600V ALTERNATORS  
40C & 50C COOLING SYSTEM  
MITSUBISHI TIER I

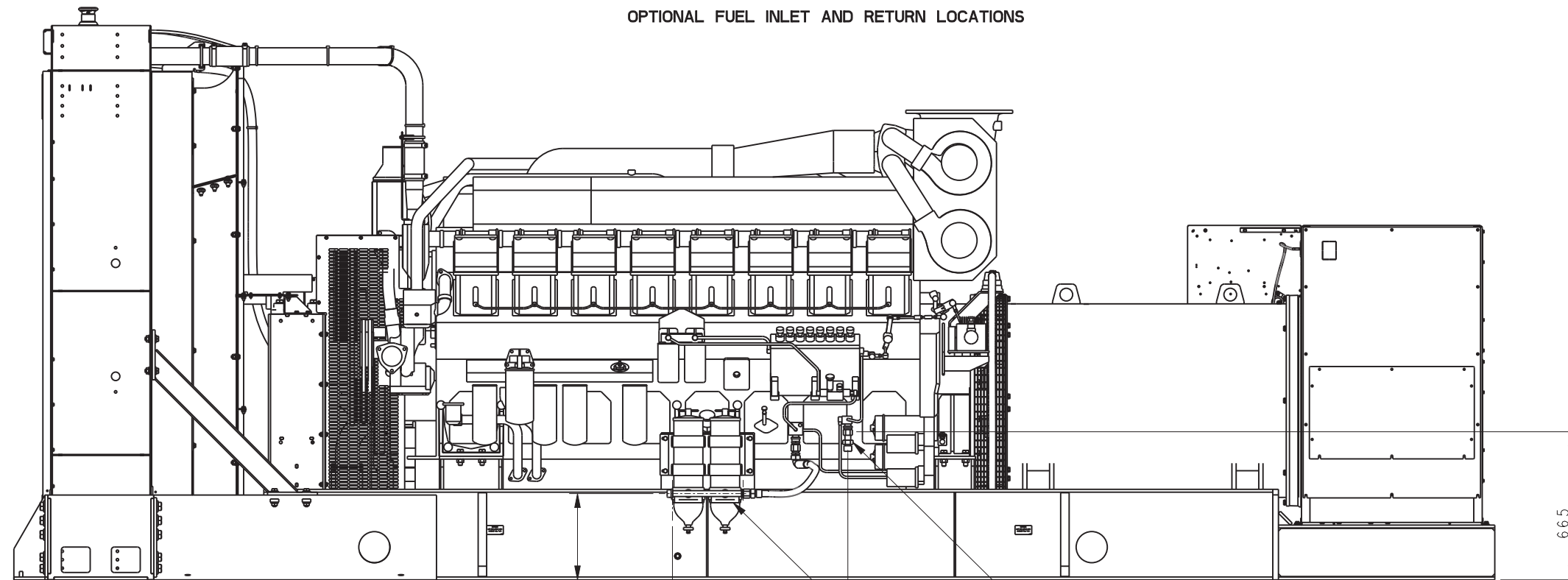
REV	DATE	ON COMPOSITE DWGS. SEE PART NO. FOR REVISION LEVEL	BY	DO NOT SCALE. REFERENCE THE MODEL FOR ALL UNSPECIFIED DIMENSIONS	
-	4-27-11	NEW DRAWING [91304-3]	DJV	UNLESS OTHERWISE SPECIFIED: ALL DIMENSIONS IN MILLIMETERS GENERAL TOLERANCES: N/A	
A	5-19-11	SEE SHEET 1 [91691]	KJB		
B	2-9-12	SEE SHEET 1 & 3 [CT05336]	CEK		
C	3-19-14	SEE SHEET 1 [CT75339]	SSH		
D	12-25-18	(A-8) 319 [12.6] WAS 652 [25.7]; (A-7) 686 [27.0] WAS 1371 [54.0]; (A-5) 556 [21.9] WAS 1111 [43.7]; (C-3) BATTERY CHARGER VIEW UPDATED; SEE SHEET 1, 2, 3 & 5 [CT192693]	PAR	THIRD ANGLE PROJECTION	
				APPROVALS	DATE
				DRAWN	DJV 4-27-11
				CHECKED	DJV 4-27-11
				APPROVED	WRD 4-27-11
				<b>KOHLER</b> KOHLER, WISCONSIN 53044 THIS DRAWING IN DESIGN AND DETAIL IS KOHLER CO. PROPERTY AND MUST NOT BE USED EXCEPT IN CONNECTION WITH KOHLER CO. WORK. ALL RIGHTS OF DESIGN OR INVENTION ARE RESERVED. TITLE <b>DIMENSION PRINT, 1600ROZMC</b> SCALE 0.10 CAD NO. SHEET 4 of 5 DWG NO. <b>ADV-8177</b>	



3/4" N.P.T. FUEL  
INLET CONNECTION

FUEL RETURN

OPTIONAL FUEL INLET AND RETURN LOCATIONS



FUEL/WATER  
SEPARATOR

FUEL RETURN  
3/4 N.P.T

FUEL AND WATER SEPARATOR

1600 MODEL 60 HZ  
7M4050, 7M4052, 7M4054, 7M4174,  
7M4176, 7M4290, 7M4368, 7M4370  
380V, 600V ALTERNATORS  
40C & 50C COOLING SYSTEM  
MITSUBISHI TIER I

NOTE:  
DIMENSIONS IN [ ] ARE INCH EQUIVALENTS  
IF IBC CERTIFICATION IS REQUIRED, SEE SEISMIC ADV FOR INSTALLATION INSTRUCTIONS.

REV	DATE	ON COMPOSITE DWGS. SEE PART NO. FOR REVISION LEVEL	BY	DO NOT SCALE. REFERENCE THE MODEL FOR ALL UNSPECIFIED DIMENSIONS								
-	4-27-11	NEW DRAWING [91304-3]	DJV	<small>UNLESS OTHERWISE SPECIFIED: ALL DIMENSIONS IN MILLIMETERS GENERAL TOLERANCES: N/A</small> <b>KOHLER.</b> <small>KOHLER, WISCONSIN 53044</small> THIS DRAWING IN DESIGN AND DETAIL IS KOHLER CO. PROPERTY AND MUST NOT BE USED EXCEPT IN CONNECTION WITH KOHLER CO. WORK. ALL RIGHTS OF DESIGN OR INVENTION ARE RESERVED.								
A	5-9-11	SEE SHEET 1 [91691]	KJB									
B	2-9-12	SEE SHEET 1 & 3 [CT05336]	CEK									
C	3-9-14	SEE SHEET 1 [CT75339]	SSH									
D	12-25-18	(A-7) 2959 [116.5] WAS 2964 [116.7], 388 [15.3] WAS 425 [16.7]; SEE SHEET 1, 2, 3 & 4 [CT192693]	PAR									
				<small>THIRD ANGLE PROJECTION</small> 								
			<table border="1"> <thead> <tr> <th>APPROVALS</th> <th>DATE</th> </tr> </thead> <tbody> <tr> <td>DRWN DJV</td> <td>4-27-11</td> </tr> <tr> <td>CHEK DJV</td> <td>4-27-11</td> </tr> <tr> <td>APPR WRD</td> <td>4-27-11</td> </tr> </tbody> </table>	APPROVALS	DATE	DRWN DJV	4-27-11	CHEK DJV	4-27-11	APPR WRD	4-27-11	TITLE <b>DIMENSION PRINT, 1600ROZMC</b>
APPROVALS	DATE											
DRWN DJV	4-27-11											
CHEK DJV	4-27-11											
APPR WRD	4-27-11											
			<table border="1"> <thead> <tr> <th>SCALE</th> <th>CAD NO.</th> <th>SHEET</th> <th>OF</th> </tr> </thead> <tbody> <tr> <td>0.08</td> <td></td> <td>5</td> <td>5</td> </tr> </tbody> </table>	SCALE	CAD NO.	SHEET	OF	0.08		5	5	DWG NO. <b>ADV-8177</b>
SCALE	CAD NO.	SHEET	OF									
0.08		5	5									