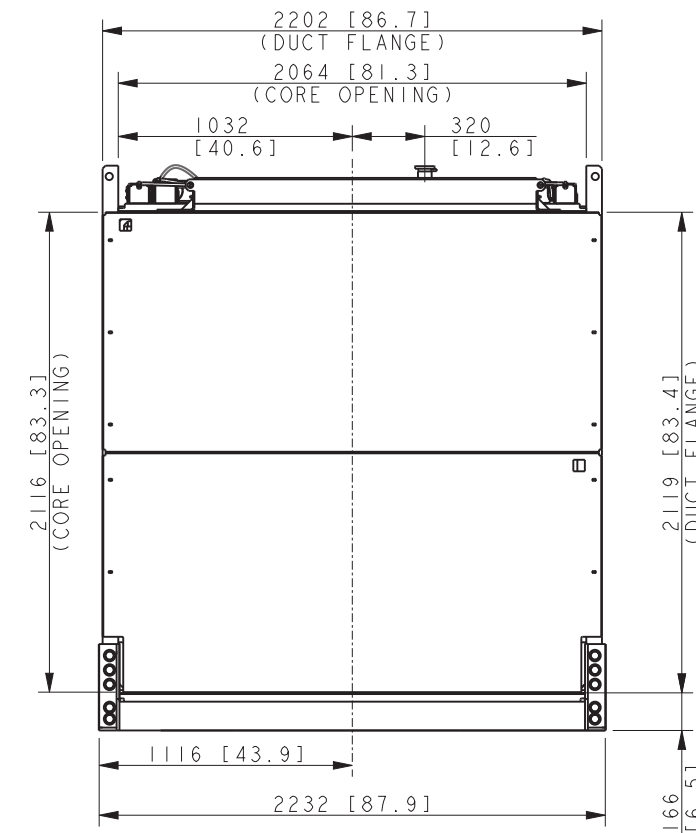


ALTERNATOR				
DIM	4048, 4050, 4172, 4366	4052, 4174, 4288, 4368	4046	
A	5951 [234.3]	6116 [240.8]	5951 [234.3]	
B	5905 [232.5]	6070 [239.0]	5905 [232.5]	
C	1054 [41.5]	1180 [46.5]	1054 [41.5]	
D	1040 [40.9]	1270 [50.0]	1040 [40.9]	
E	1040 [40.9]	838 [33.0]	1040 [40.9]	
F	1620 [63.8]	1968 [77.5]	1620 [63.8]	
G	958 [37.7]	958 [37.7]	918 [36.1]	
H	1592 [62.7]	1592 [62.7]	1552 [61.1]	

INSTALLATION NOTE
IF SUBBASE FUEL TANK AND/OR SOUND HOUSING IS USED, REFER TO SUBBASE FUEL TANK ADV TO DETERMINE MOUNTING LOCATIONS.



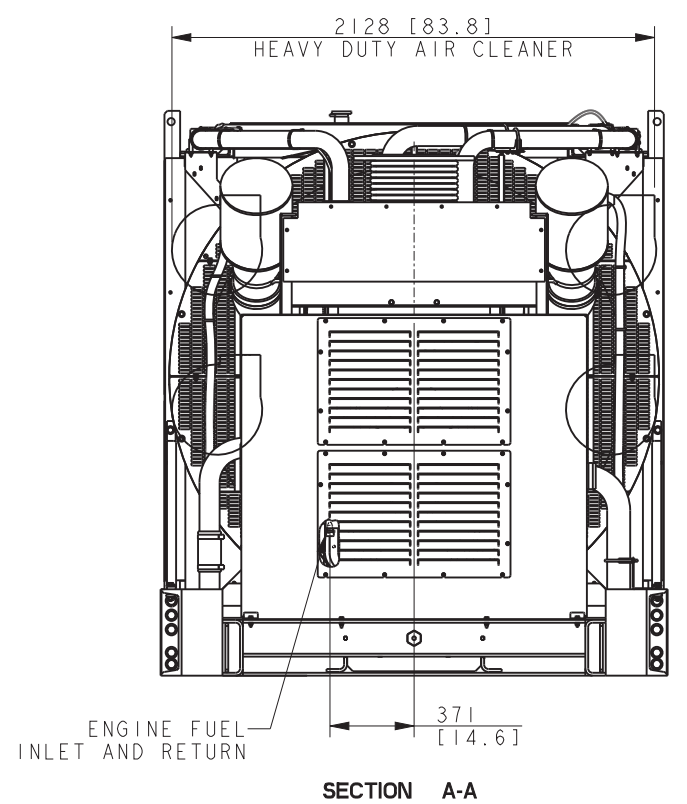
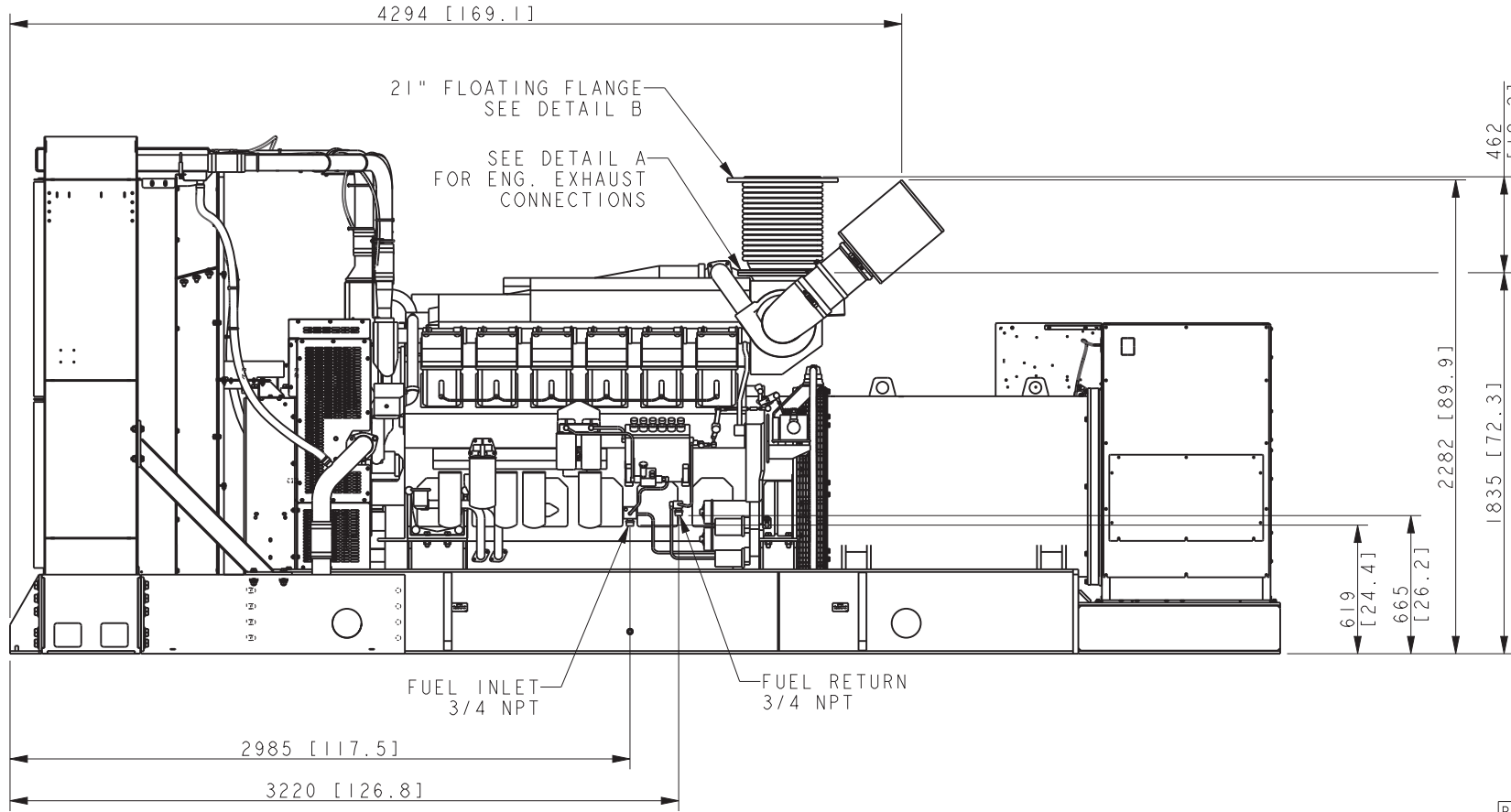
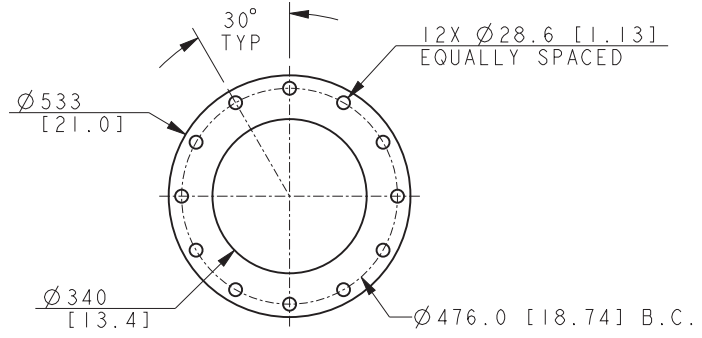
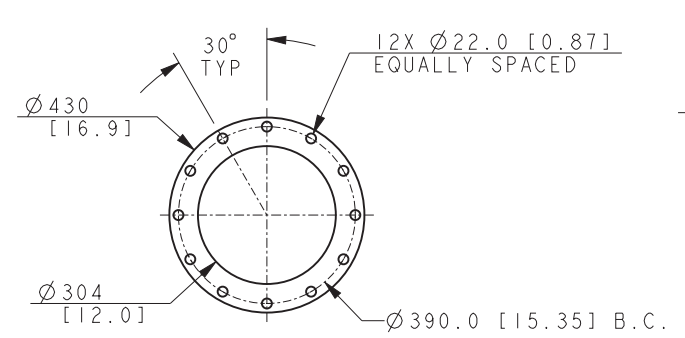
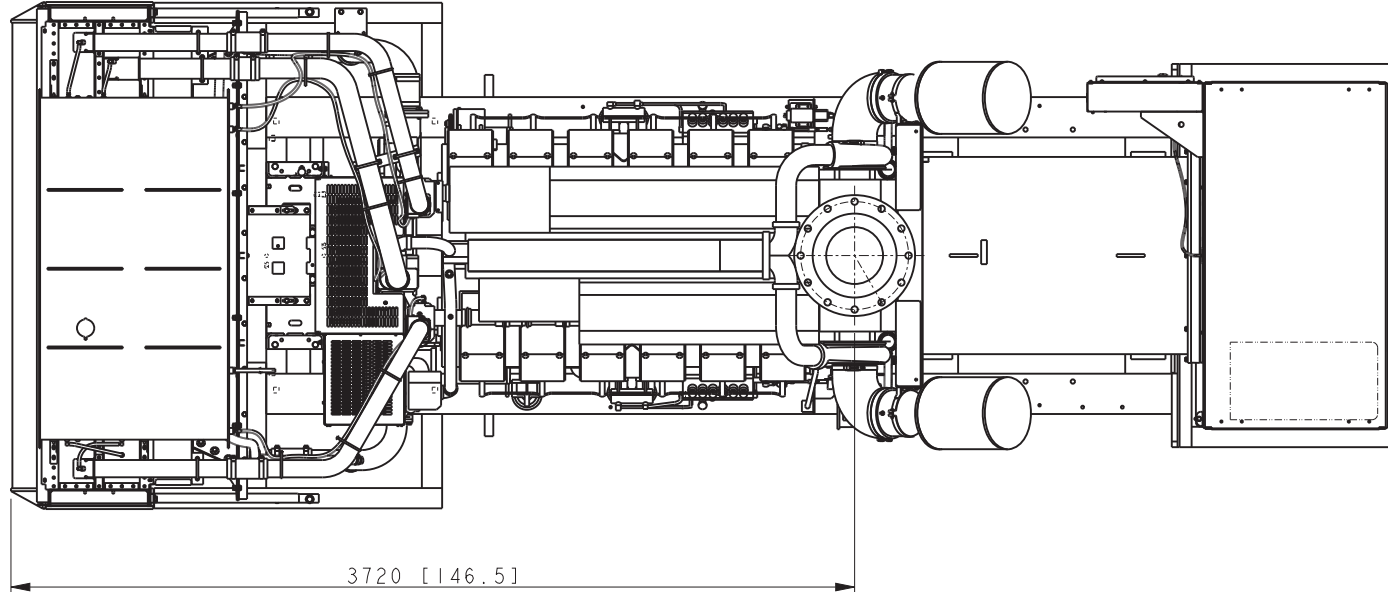
NOTE:
DIMENSIONS IN [] ARE INCH EQUIVALENTS.

MAXIMUM WET WEIGHT OF GENSET LESS ACCESSORIES: 12020 KG [26500 LBS]

IF IBC CERTIFICATION IS REQUIRED, SEE SEISMIC ADV FOR INSTALLATION INSTRUCTIONS.

1250 MODEL 60 HZ
7M4046, 7M4048, 7M4050, 7M4052, 7M4172,
7M4174, 7M4288, 7M4366, 7M4368
RECONNECTABLE
380V, 600V, 4160V ALTERNATORS
40C & 50C COOLING SYSTEM
MITSUBISHI, TIER II

REV	DATE	ON COMPOSITE DWGS, SEE PART NO. FOR REVISION LEVEL	BY	DO NOT SCALE. REFERENCE THE MODEL FOR ALL UNSPECIFIED DIMENSIONS
B	2-9-12	(C-7) ADD DIMS 1690 [66.5] & 845 [33.3]; (C-2) REMOVE BUS LOCATIONS VIEW [CT05336]	CEK	UNLESS OTHERWISE SPECIFIED: ALL DIMENSIONS IN MILLIMETERS GENERAL TOLERANCES: N/A KOHLER KOHLER, WISCONSIN 53044 THIS DRAWING IN DESIGN AND DETAIL IS KOHLER CO. PROPERTY AND MUST NOT BE USED EXCEPT IN CONNECTION WITH KOHLER CO. WORK. ALL RIGHTS OF DESIGN OR INVENTION ARE RESERVED. TITLE DIMENSION PRINT, 1250RE0ZMD SCALE 0.06 CAD NO. SHEET 1 of 5 DWG NO. ADV-8176
C	10-18-16	SEE SHEET 2 [CT159394]	RVM	
D	6-8-17	SEE SHEET 2 & 3 [CT174847]	SSD	
E	8-6-18	SEE SHEET 2, 3 & 5 [CT186468]	YPW	
F	4-19-19	CREO FORMAT WAS AUTOCAD; (A-5) 2985 [117.5] WAS 2982 [117.4]; (A-4) 784 [30.9] WAS 781 [30.8]; (B-4) 329 [13.0] WAS 331 [13.0]; 2116 [83.3] WAS 2113 [83.2]; (D-1) DIM A & B VALUES UPDATED; SEE SHEET 2, 3, 4, 5 [CT193215]	PAR	



NOTE:
DIMENSIONS IN [] ARE INCH EQUIVALENTS
IF IBC CERTIFICATION IS REQUIRED, SEE SEISMIC ADV FOR INSTALLATION INSTRUCTIONS.

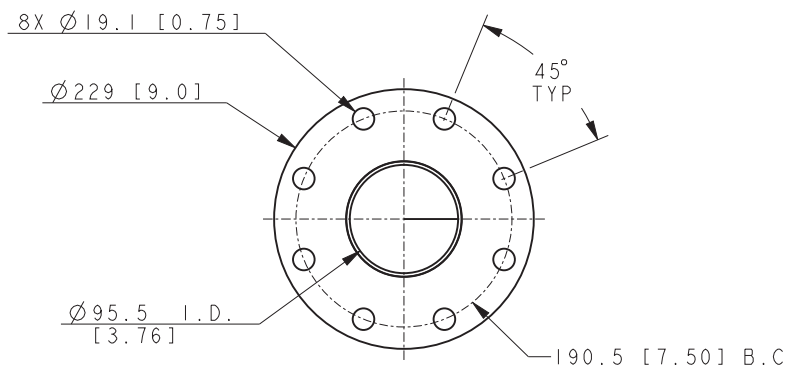
1250 MODEL 60 HZ
7M4046, 7M4048, 7M4050, 7M4052, 7M4172,
7M4174, 7M4288, 7M4366, 7M4368
RECONNECTABLE
380V, 600V, 4160V ALTERNATORS
40C & 50C COOLING SYSTEM
MITSUBISHI, TIER II

REV	DATE	ON COMPOSITE DWGS, SEE PART NO. FOR REVISION LEVEL	BY	DO NOT SCALE. REFERENCE THE MODEL FOR ALL UNSPECIFIED DIMENSIONS	
E	8-6-18	VIEWS UPDATED; SEE SHEET 3 & 5 [CT186468]	YPW	UNLESS OTHERWISE SPECIFIED: ALL DIMENSIONS IN MILLIMETERS GENERAL TOLERANCES: N/A	
F	4-19-19	[B-4] 2282 [89.9] WAS 2218 [87.3]; [C-7] 3720 [146.5] WAS 3717 [146.3], 4294 [169.1] WAS 4256 [167.6]; [A-7] 2985 [117.5] WAS 2982 [117.4], 3220 [126.8] WAS 3217 [126.7]; [A-2] 371 [14.6] WAS 348 [13.7]; [C-2] 2128 [83.8] WAS 2195 [86.4]; [B-2] HEAVY DUTY CLEANERS ORIENTATION CHANGED & VIEW UPDATED; SEE SHEET 1, 3, 4, 5 [CT193215]	PAR	THIS DRAWING IN DESIGN AND DETAIL IS KOHLER CO. PROPERTY AND MUST NOT BE USED EXCEPT IN CONNECTION WITH KOHLER CO. WORK. ALL RIGHTS OF DESIGN OR INVENTION ARE RESERVED.	
			THIRD ANGLE PROJECTION		
			APPROVALS		DATE
			DRAWN	DJV	4-26-11
			CHECKED	DJV	4-26-11
			APPROVED	WRD	4-26-11
			TITLE		SHEET 2 of 5
			DIMENSION PRINT, 1250REOZMD		SCALE 0.06 CAD NO. DWG NO.
			ADV-8176		D

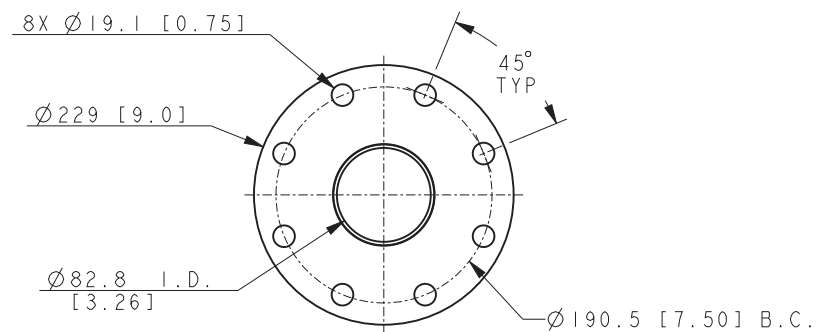
ALTERNATOR

DIM	4048, 4050, 4172, 4366	4052, 4174, 4288, 4368	4046
A	4825 [190.0]	4990 [196.5]	4825 [190.0]
B	4778 [188.1]	5126 [201.8]	4793 [188.7]
C	1054 [41.5]	1180 [46.5]	1054 [41.5]
D	1040 [40.9]	1270 [50.0]	1040 [40.9]
E	1040 [40.9]	838 [33.0]	1040 [40.9]

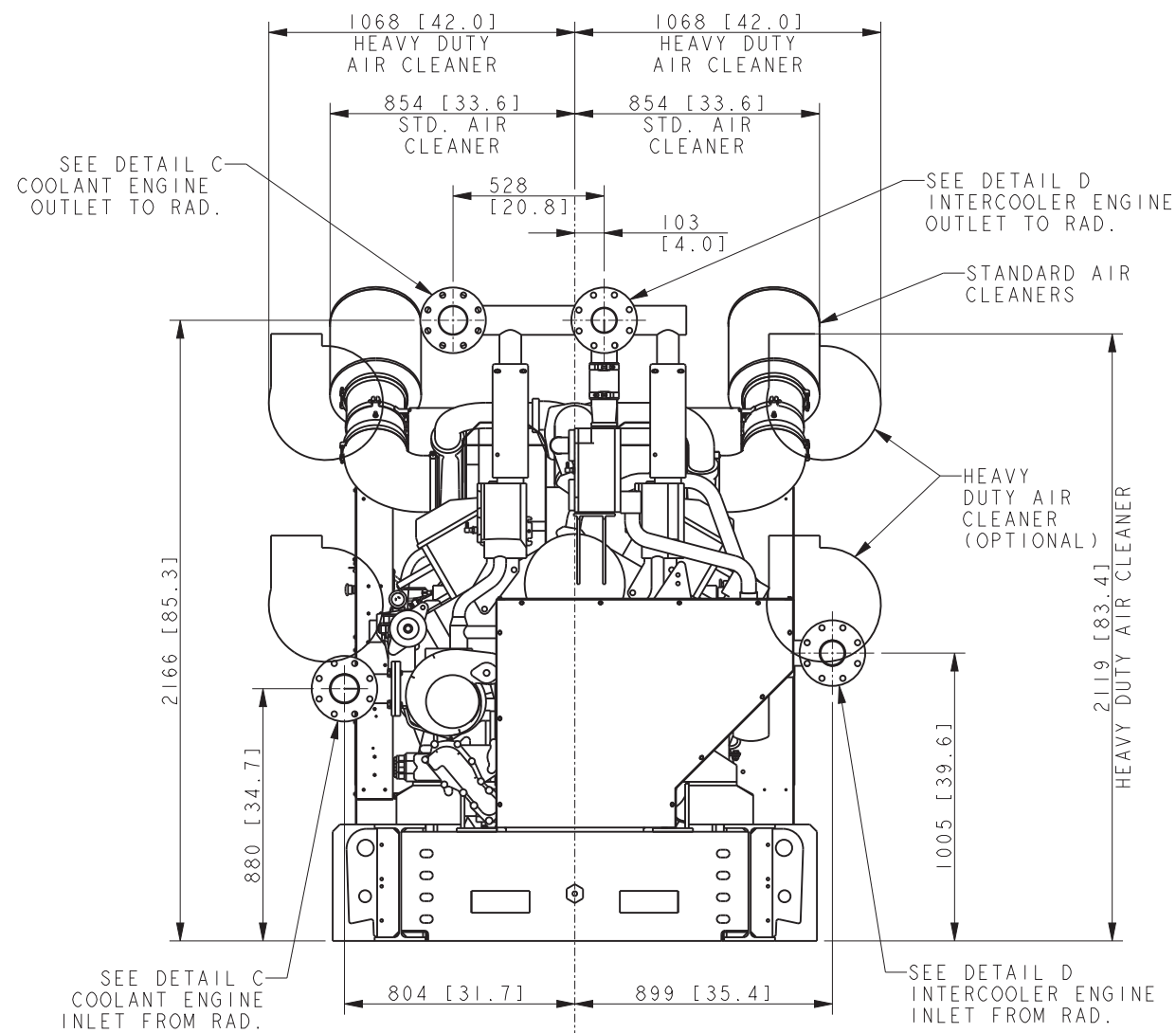
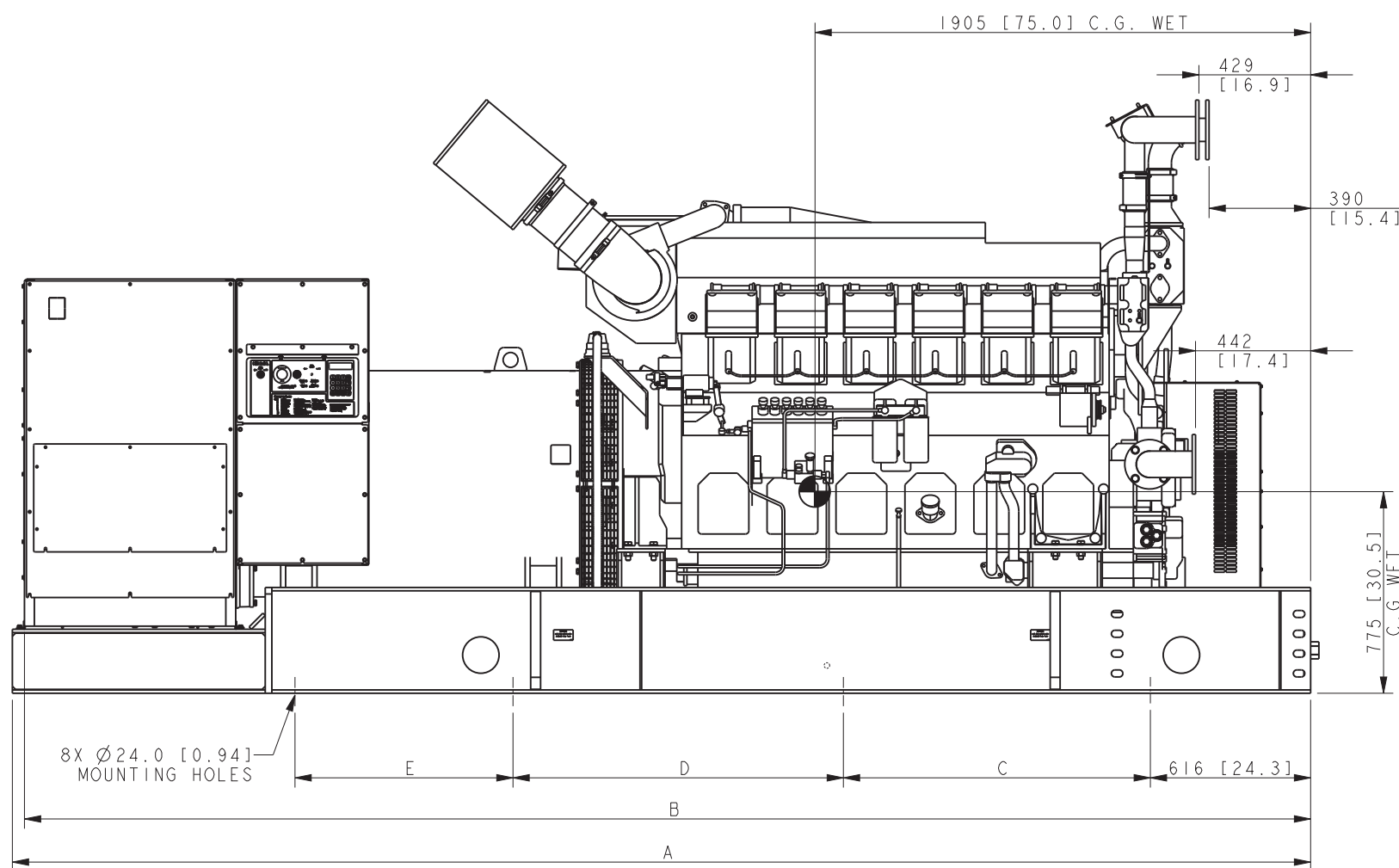
NOTE:
FOR PLAN VIEW SEE SHEET 1.



DETAIL C
SCALE 0.30



DETAIL D
SCALE 0.30

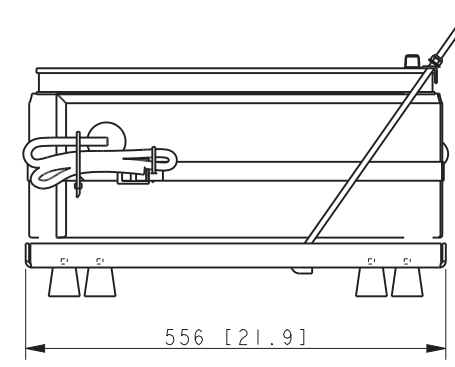
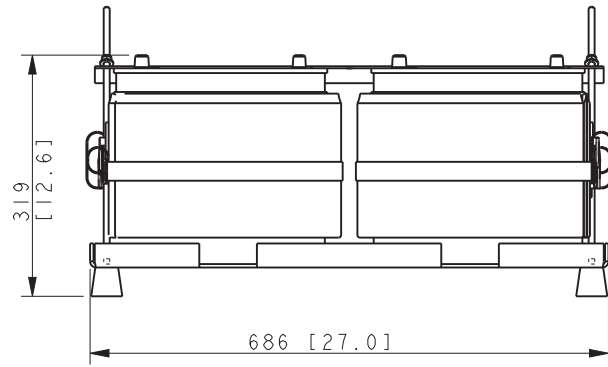


NOTE:
DIMENSIONS IN [] ARE INCH EQUIVALENTS
GENSET WEIGHT REMOTE RADIATOR MAX. (WET): 10705 KG [23600 LBS]
IF IBC CERTIFICATION IS REQUIRED, SEE SEISMIC ADV FOR INSTALLATION INSTRUCTIONS.

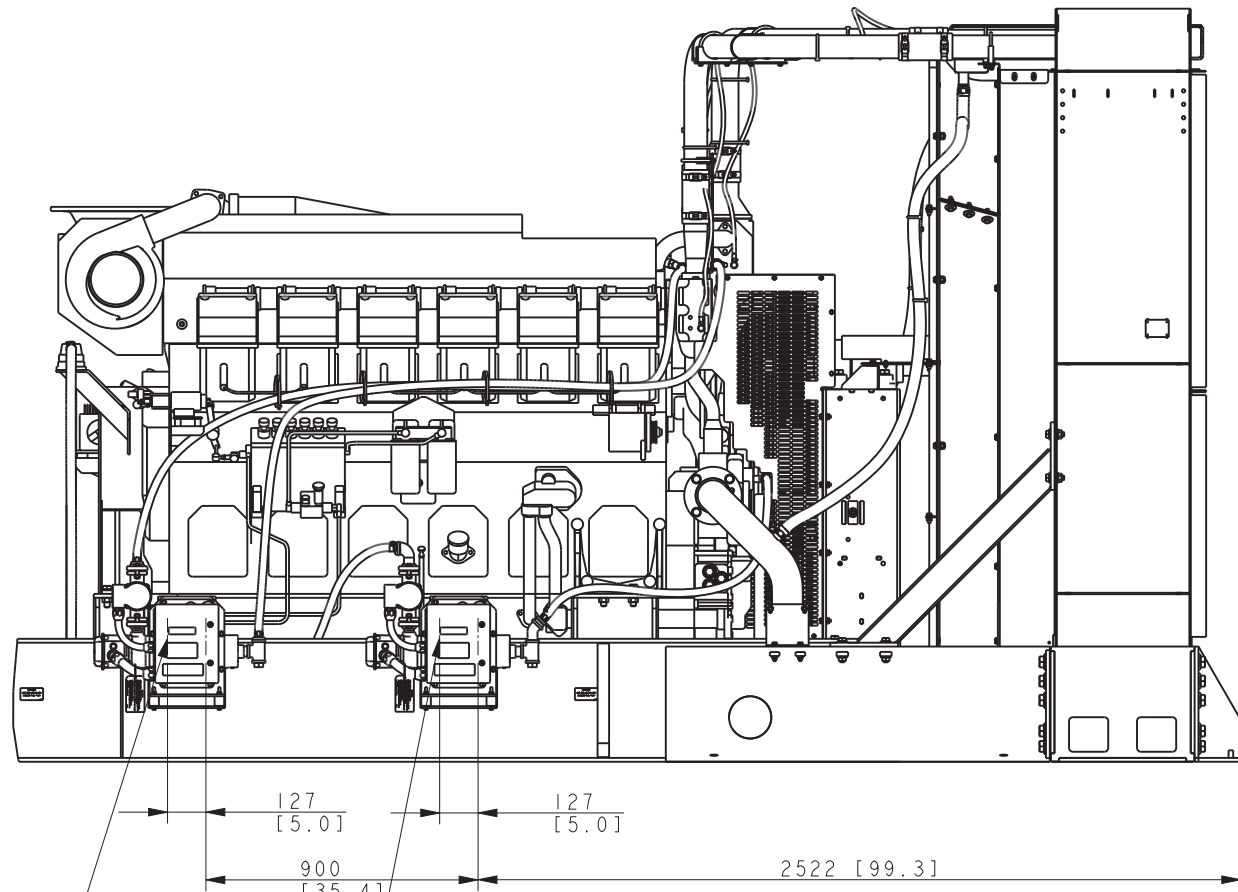
1250 MODEL 60 HZ
7M4046, 7M4048, 7M4050, 7M4052, 7M4172,
7M4174, 7M4288, 7M4366, 7M4368
RECONNECTABLE
380V, 600V, 4160V ALTERNATORS
REMOTE RADIATOR
mitsubishi, TIER II

REV	DATE	ON COMPOSITE DWGS, SEE PART NO. FOR REVISION LEVEL	BY	DO NOT SCALE, REFERENCE THE MODEL FOR ALL UNSPECIFIED DIMENSIONS
E	8-6-18	VIEWS UPDATED; (D-2) 854.1 WAS 1048; SEE SHEET 2 & 5 [CT186468]	YPW	UNLESS OTHERWISE SPECIFIED: ALL DIMENSIONS IN MILLIMETERS GENERAL TOLERANCES: N/A
F	4-19-19	(D-8) DIM A VALUES UPDATED; (C-3, -2) 1068 [42.0] WAS 1087 [42.8] AND 1158 [45.6]; (B-1) 2119 [83.4] WAS 2116 [83.3]; (C-4) 390 [15.4] DIM ADDED; SEE SHEET 1, 2, 4, 5 [CT193215]	PAR	KOHLER KOHLER, WISCONSIN 53044 THIS DRAWING IN DESIGN AND DETAIL IS KOHLER CO. PROPERTY AND MUST NOT BE USED EXCEPT IN CONNECTION WITH KOHLER CO. WORK. ALL RIGHTS OF DESIGN OR INVENTION ARE RESERVED.
				TITLE DIMENSION PRINT, 1250RE0ZMD
				SCALE 0.08 CAD NO. SHEET 3 of 5
				ADV-8176

ALTERNATORS			
DIM	4048, 4050, 4172, 4366	4052, 4174, 4288, 4368	4046
A	1050 [41.3]	1215 [47.8]	1050 [41.3]



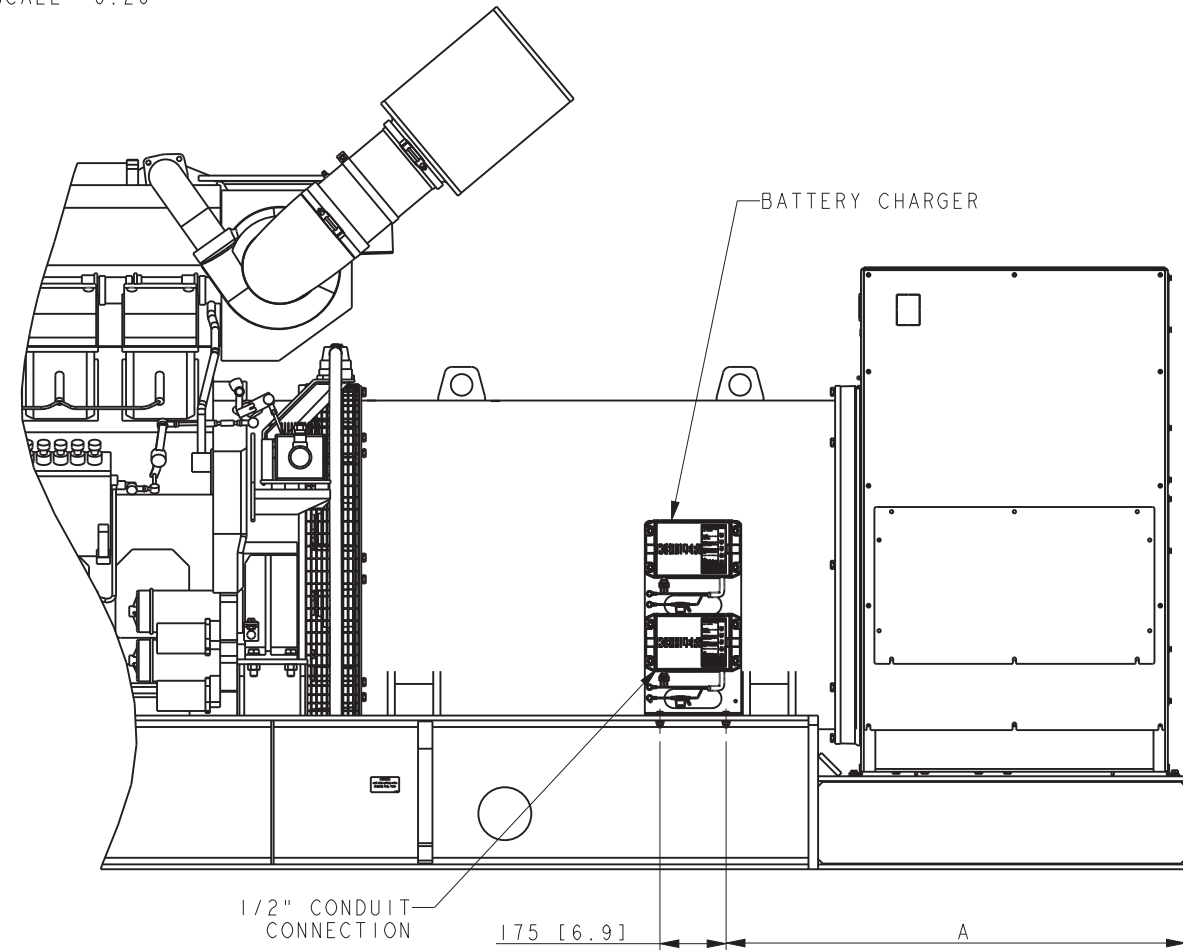
BATTERY AND BATTERY RACK (2-REQ'D)
SCALE 0.20



SCCC BLOCK HEATER
CIRCULATING PUMP
LOCATION

JW BLOCK HEATER
CIRCULATING PUMP
LOCATION

BLOCK HEATER



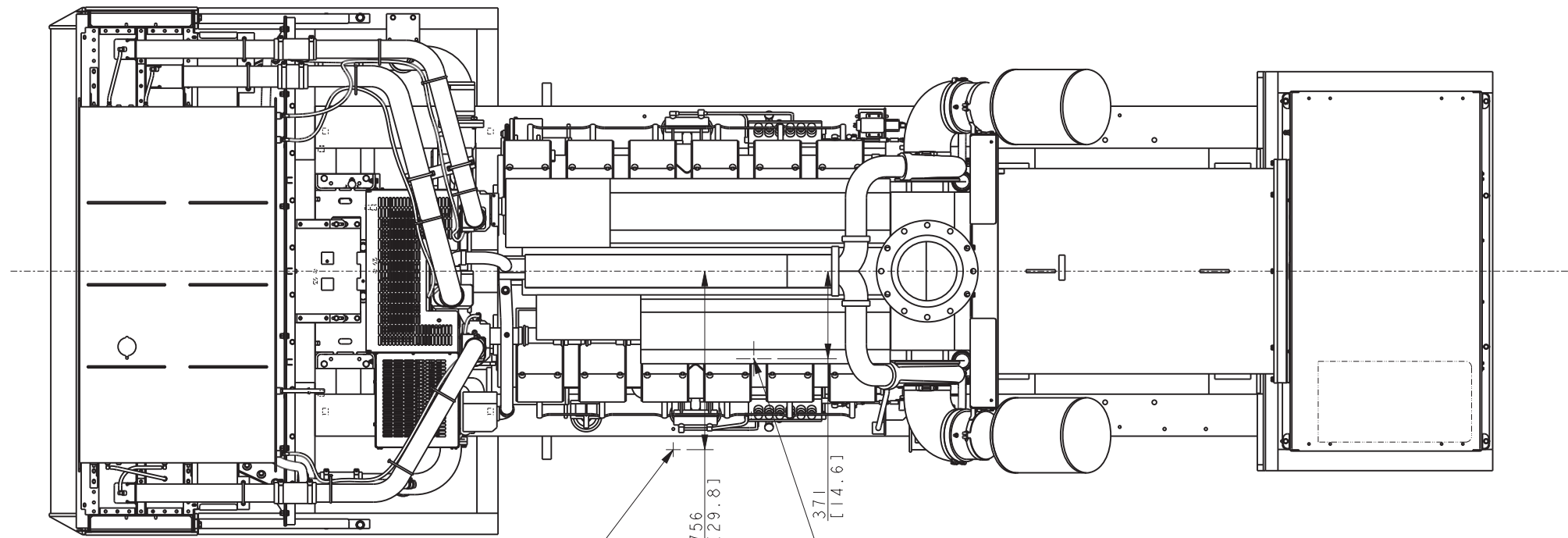
1/2" CONDUIT
CONNECTION

BATTERY CHARGER

NOTE:
DIMENSIONS IN [] ARE INCH EQUIVALENTS
IF IBC CERTIFICATION IS REQUIRED, SEE SEISMIC ADV FOR INSTALLATION INSTRUCTIONS.

**1250 MODEL 60 HZ
7M4046, 7M4048, 7M4050, 7M4052, 7M4172,
7M4174, 7M4288, 7M4366, 7M4368
RECONNECTABLE
380V, 600V, 4160V ALTERNATORS
40C & 50C COOLING SYSTEM
MITSUBISHI, TIER II**

REV	DATE	ON COMPOSITE DWGS, SEE PART NO. FOR REVISION LEVEL	BY	DO NOT SCALE. REFERENCE THE MODEL FOR ALL UNSPECIFIED DIMENSIONS	
C	10-18-16	SEE SHEET 2 [CT159394]	RVM	UNLESS OTHERWISE SPECIFIED: ALL DIMENSIONS IN MILLIMETERS GENERAL TOLERANCES: N/A KOHLER KOHLER, WISCONSIN 53044 THIS DRAWING IN DESIGN AND DETAIL IS KOHLER CO. PROPERTY AND MUST NOT BE USED EXCEPT IN CONNECTION WITH KOHLER CO. WORK. ALL RIGHTS OF DESIGN OR INVENTION ARE RESERVED. TITLE DIMENSION PRINT, 1250RE0ZMD SCALE 0.10 CAD NO. SHEET 4 of 5 DWG NO. ADV-8176	
D	6-8-17	SEE SHEET 2 & 3 [CT174847]	SSD		
E	8-6-18	SEE SHEET 2, 3 & 5 [CT186468]	YPW		
F	12-12-18	(A-6) 2522 [99.3] WAS 2520 [99.2]; (D-5) 319 [12.6] WAS 326 [12.83]; (B-2) BATTERY CHARGER ASSEMBLY AND VIEW UPDATED; (D-8) TABLE ADDED; SEE SHEET 1, 2, 3 & 5 [CT193215]	PAR		
					THIRD ANGLE PROJECTION
					APPROVALS DATE
				DRAWN DJV 4-26-11	
				CHECKED DJV 4-26-11	
				APPROVED WRD 4-26-11	

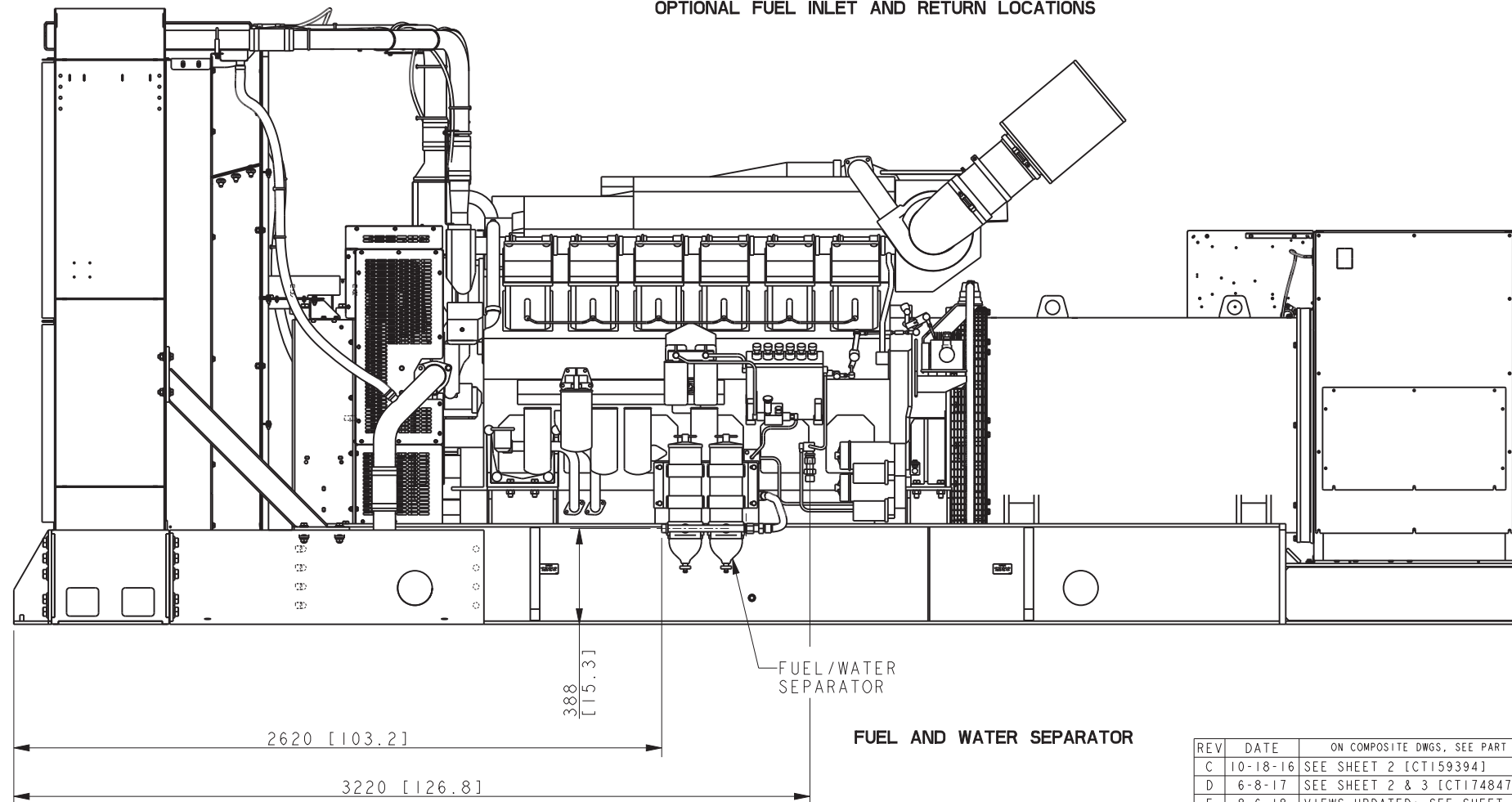


3/4" N.P.T FUEL INLET CONNECTION

756 [29.8]

371 [14.6] FUEL RETURN

OPTIONAL FUEL INLET AND RETURN LOCATIONS



FUEL/WATER SEPARATOR

FUEL AND WATER SEPARATOR

2620 [103.2]

388 [15.3]

3220 [126.8]

1250 MODEL 60 HZ
 7M4046, 7M4048, 7M4050, 7M4052, 7M4172,
 7M4174, 7M4288, 7M4366, 7M4368
 RECONNECTABLE
 380V, 600V, 4160V ALTERNATORS
 40C & 50C COOLING SYSTEM
 MITSUBISHI, TIER II

REV	DATE	ON COMPOSITE DWGS, SEE PART NO. FOR REVISION LEVEL	BY	DO NOT SCALE. REFERENCE THE MODEL FOR ALL UNSPECIFIED DIMENSIONS
C	10-18-16	SEE SHEET 2 [CT159394]	RVM	UNLESS OTHERWISE SPECIFIED: ALL DIMENSIONS IN MILLIMETERS GENERAL TOLERANCES: N/A
D	6-8-17	SEE SHEET 2 & 3 [CT174847]	SSD	KOHLER. KOHLER, WISCONSIN 53044 THIS DRAWING IN DESIGN AND DETAIL IS KOHLER CO. PROPERTY AND MUST NOT BE USED EXCEPT IN CONNECTION WITH KOHLER CO. WORK. ALL RIGHTS OF DESIGN OR INVENTION ARE RESERVED.
E	8-6-18	VIEWS UPDATED; SEE SHEET 2 & 3 [CT186468]	YPW	
F	12-12-18	(A-6) 2620 [103.2] WAS 2432 [95.8], 3220 [126.8] WAS 3217 [126.7], 388 [15.3] WAS 425 [16.7]; (C-5) 371 [14.6] WAS 348 [13.7]; SEE SHEET 1, 2, 3 & 4 [CT193215]	PAR	THIRD ANGLE PROJECTION
				TITLE
				DIMENSION PRINT, 1250RE0ZMD
				SCALE 0.08 CAD NO. SHEET 5 of 5
				ADV-8176 D

NOTE:
 DIMENSIONS IN [] ARE INCH EQUIVALENTS
 IF IBC CERTIFICATION IS REQUIRED, SEE SEISMIC ADV FOR INSTALLATION INSTRUCTIONS.