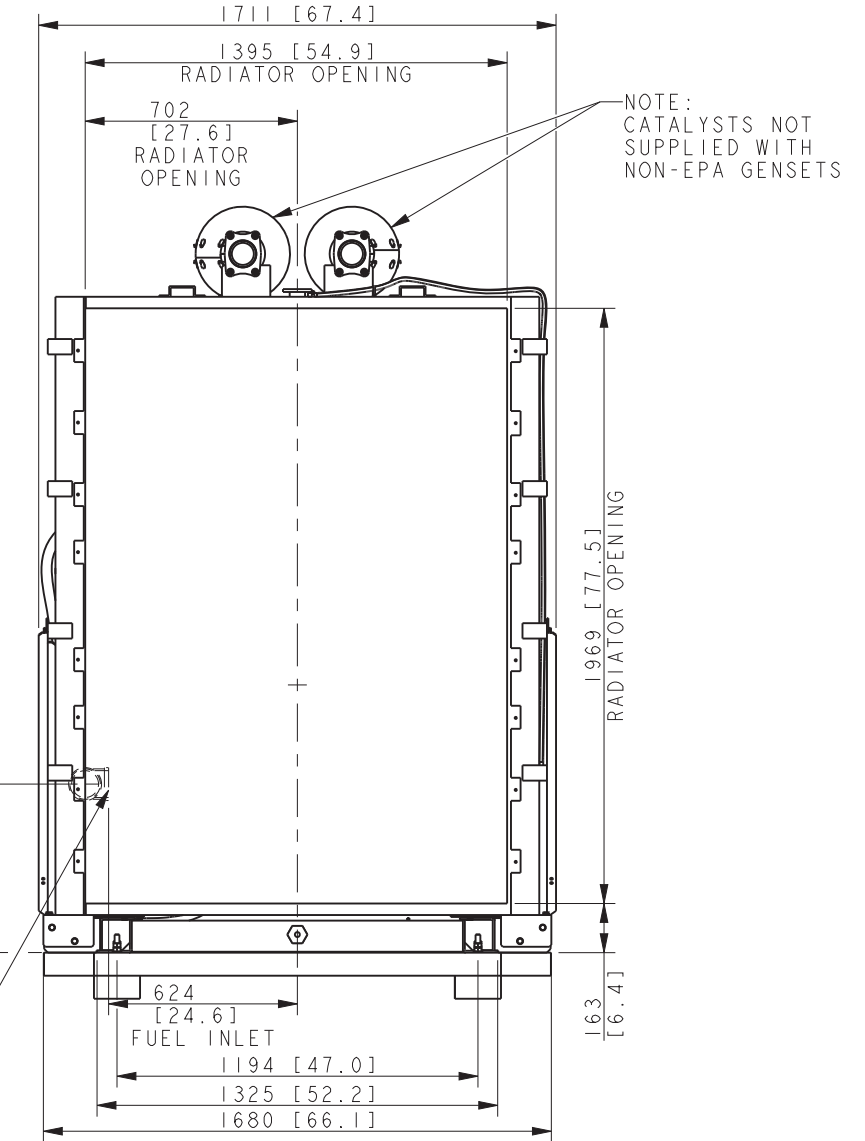
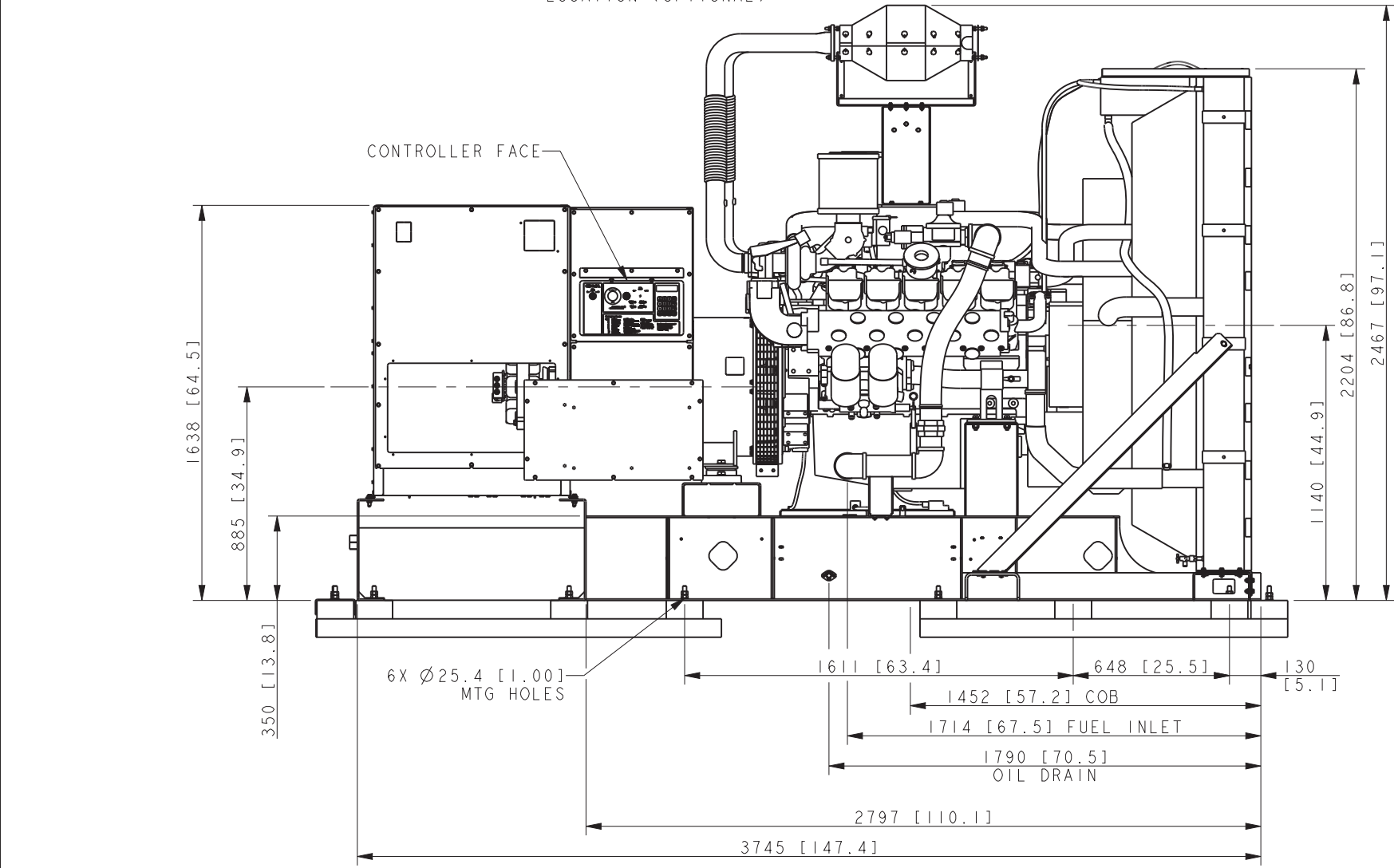


MODEL	ALTERNATOR FRAME	CONNECTION
300	4M4019	12 LEAD
	4M4266	4 LEAD
350	4M4019	12 LEAD
	5M4027	12 LEAD
	4M4158	4 LEAD
	4M4266	4 LEAD

ALL LEADS CONNECTIONS USE 10MM [3/8] HARDWARE

- NOTES:
- 1) DIMENSIONS IN [] ARE INCH EQUIVALENTS.
 - 2) WHEN A HOUSING IS USED THE FUEL LINE MUST BE STUBBED UP FROM DIRECTLY UNDER THE UNIT OR BROUGHT IN FROM THE END OF SKID.
- MAX. WEIGHT (WET) 4490 KG [9900 LBS] LESS ACCESSORIES



REV	DATE	ON COMPOSITE DWGS, SEE PART NO. FOR REVISION LEVEL	BY	DO NOT SCALE, REFERENCE THE MODEL FOR ALL UNSPECIFIED DIMENSIONS
B	8-5-19	(D-2) 5M4027: 12 LEAD WAS 10 LEAD; (D-4) 370 WAS 360; (B-3) 557 WAS 554; (A-1) 163 WAS 159; (A-2) 1194 WAS 1193; (B-8) 1638 WAS 1635, 885 WAS 882; (A-6) 1611 WAS 1568.7; (B-4) 1140 WAS 1137, 2204 WAS 2201, 2467 WAS 2464; SEE SHEET 2 [CT197560]	ARP	UNLESS OTHERWISE SPECIFIED: ALL DIMENSIONS IN MILLIMETERS GENERAL TOLERANCES: X.XX ± X ± ANGLES ± SURFACE FINISH MAX.
C	03JULY2020	(D-3) WEIGHT 4490 KG [9900 LBS] WAS 3900 KG [8580 LBS]; [CT205196]	RSG	THIS DRAWING IN DESIGN AND DETAIL IS KOHLER CO. PROPERTY AND MUST NOT BE USED EXCEPT IN CONNECTION WITH KOHLER CO. WORK. ALL RIGHTS OF DESIGN OR INVENTION ARE RESERVED.

300/350 MODEL
RECONNECTABLE
380V, 600V ALT
18 LITER DOOSAN, EPA & NON-EPA

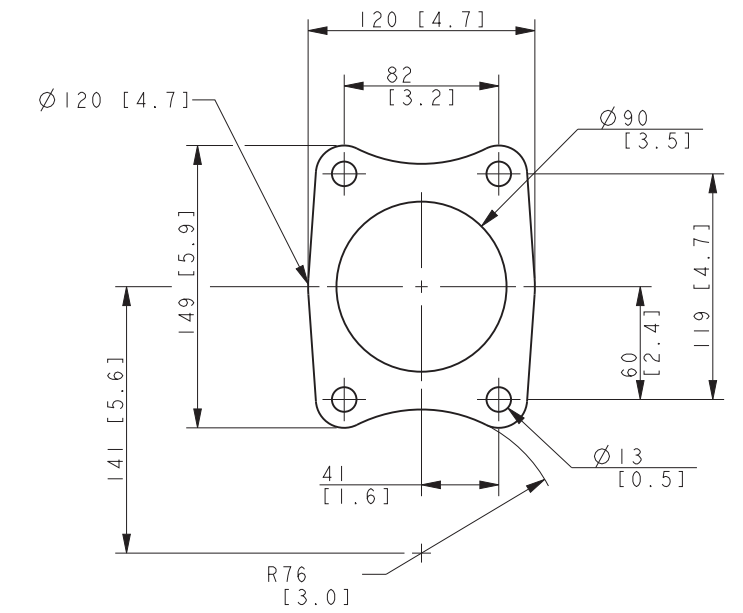
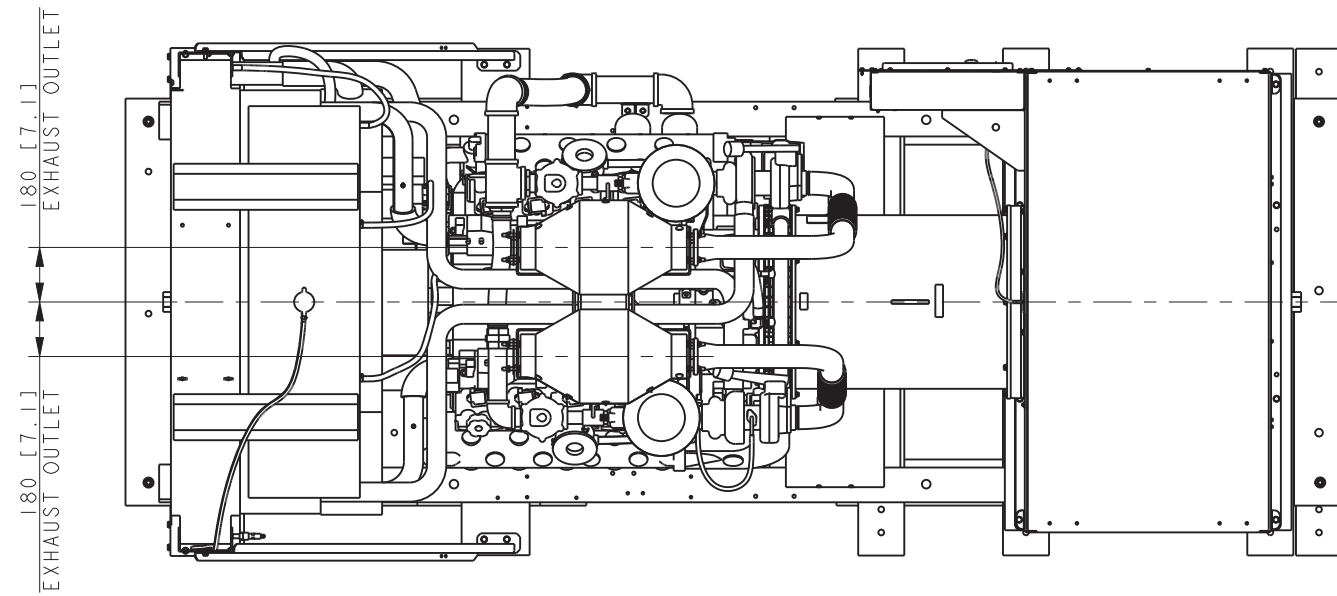
KOHLER
KOHLER, WISCONSIN 53044

THIS DRAWING IN DESIGN AND DETAIL IS KOHLER CO. PROPERTY AND MUST NOT BE USED EXCEPT IN CONNECTION WITH KOHLER CO. WORK. ALL RIGHTS OF DESIGN OR INVENTION ARE RESERVED.

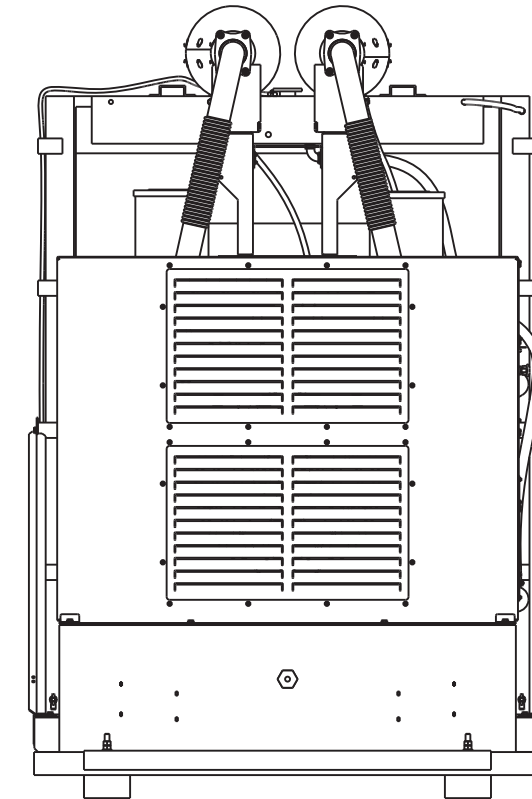
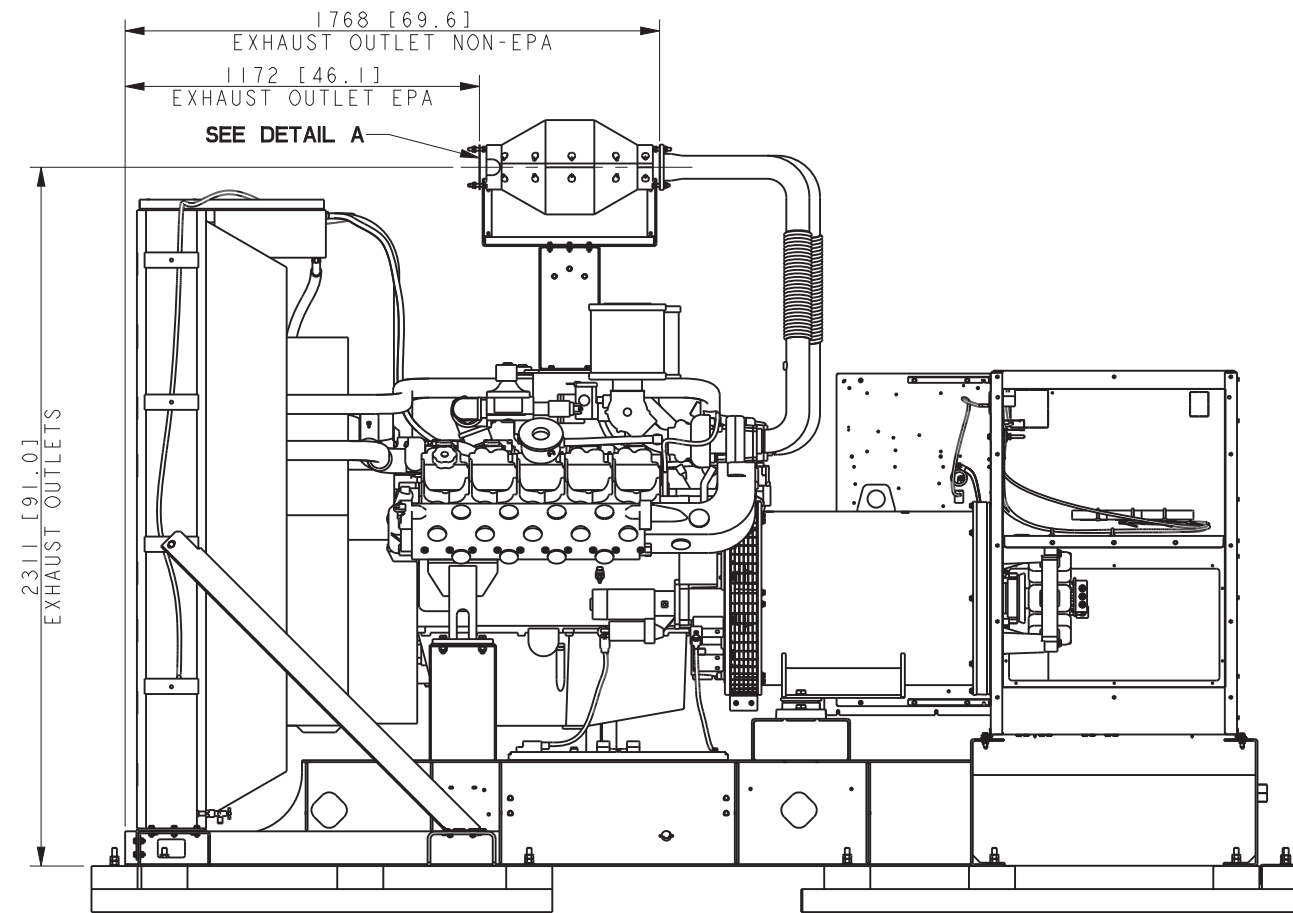
TITLE: **DIMENSION PRINT, 300/350 REOXB/REZXB**

SCALE: 0.08 CAD NO. SHEET 1 of 3

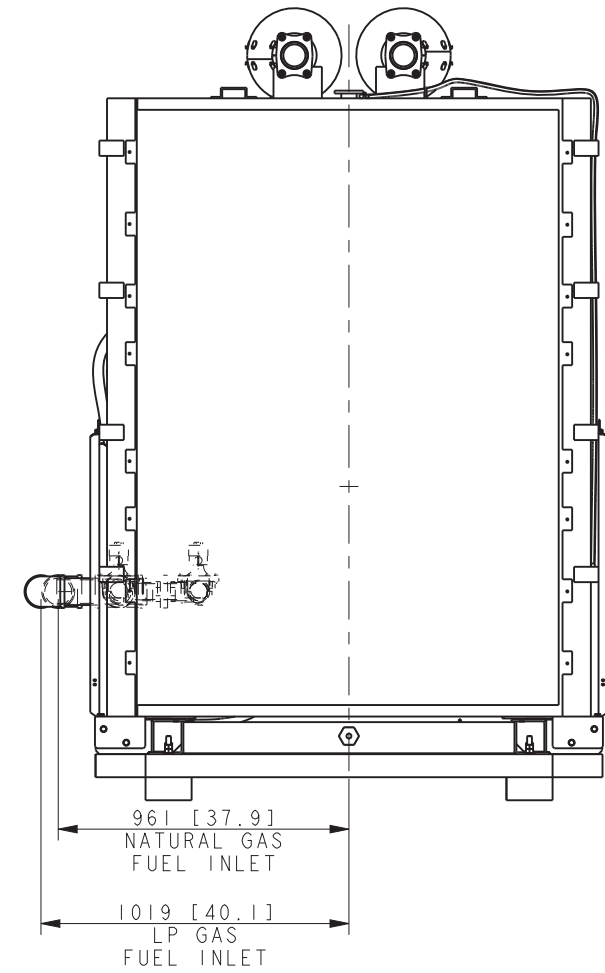
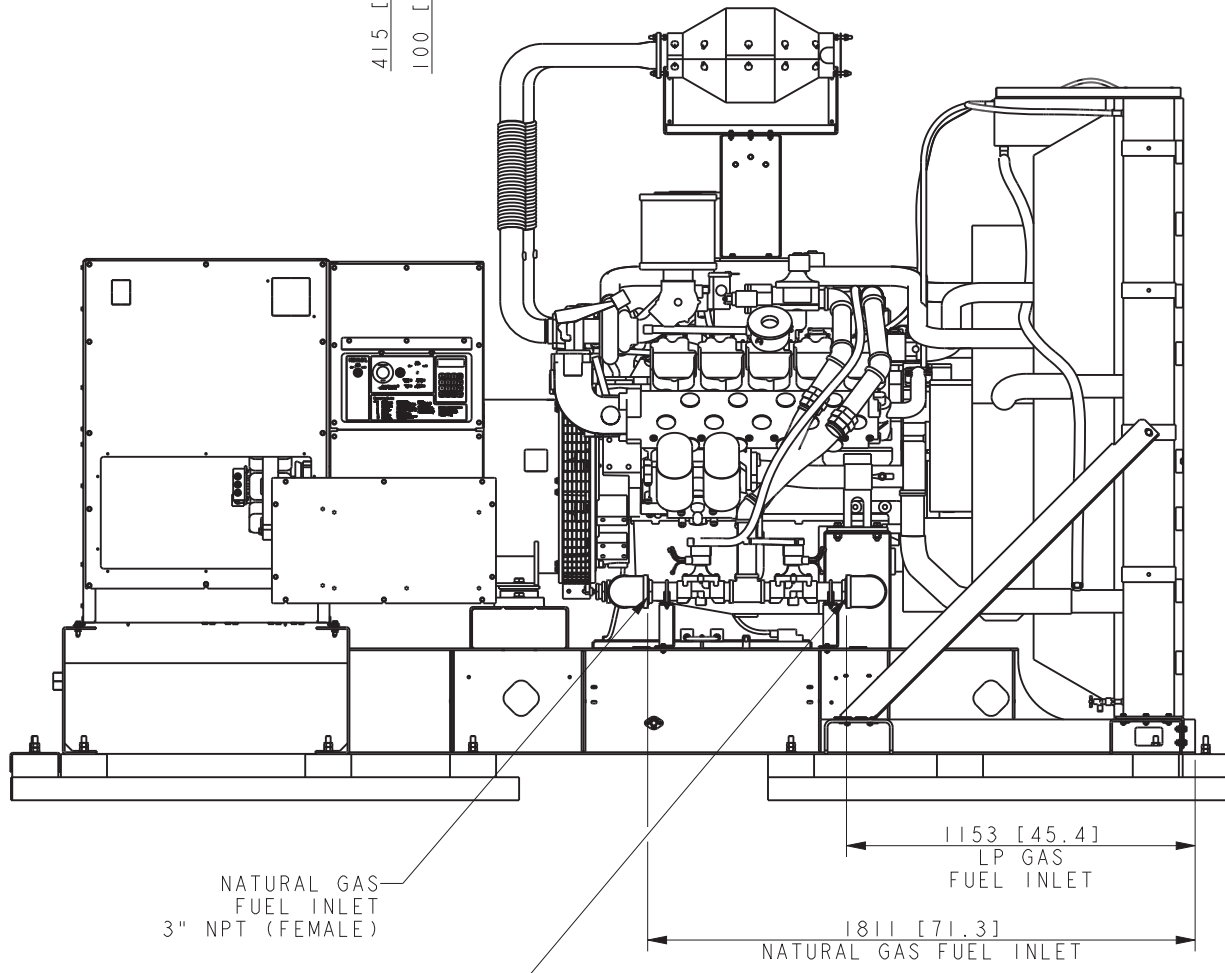
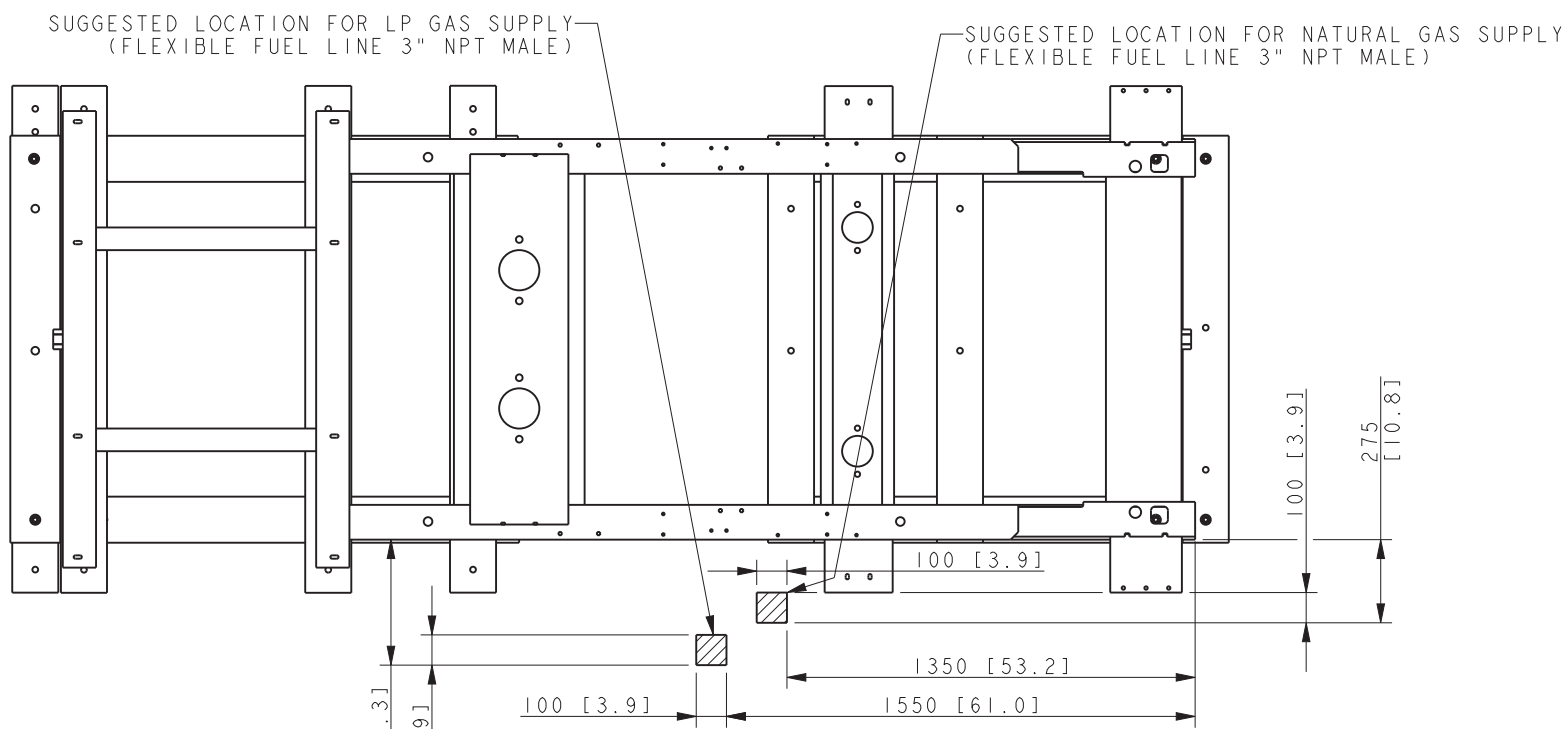
ADV-8044



DETAIL A
EXHAUST OUTLETS
SCALE 0.50



REV	DATE	ON COMPOSITE DWGS. SEE PART NO. FOR REVISION LEVEL	BY	DO NOT SCALE. REFERENCE THE MODEL FOR ALL UNSPECIFIED DIMENSIONS
-	2-5-11	NEW DRAWING [90713-3]	AWK	UNLESS OTHERWISE SPECIFIED: ALL DIMENSIONS IN MILLIMETERS GENERAL TOLERANCES: X.XX ± X.X ± X ± ANGLES ± SURFACE FINISH MAX.
A	5-18-11	SEE SHEET 1 [91691]	AWK	
B	8-5-19	(B-7) 2311 WAS 2308; SEE SHEET 1 [CT197560]	ARP	
C	03JULY2020	SEE SHEET 1 [CT205196]	RSG	
APPROVALS DATE DRAWN AWK 2-5-11 CHECKED CWF 2-5-11 APPROVED WRD 2-5-11				THIRD ANGLE PROJECTION
300/350 MODEL RECONNECTABLE 380V, 600V ALT 18 LITER DOOSAN, EPA & NON-EPA				KOHLER. KOHLER, WISCONSIN 53044 THIS DRAWING IN DESIGN AND DETAIL IS KOHLER CO. PROPERTY AND MUST NOT BE USED EXCEPT IN CONNECTION WITH KOHLER CO. WORK. ALL RIGHTS OF DESIGN OR INVENTION ARE RESERVED. TITLE DIMENSION PRINT, 300/350 REOXB/REZXB SCALE 0.08 CAD NO. SHEET 2 of 3 ADV-8044



DUAL FUEL NATURAL GAS & LP GAS

300/350 MODEL
RECONNECTABLE
380V, 600V ALT
18 LITER DOOSAN, EPA & NON-EPA

REV	DATE	ON COMPOSITE DWGS, SEE PART NO. FOR REVISION LEVEL	BY	DO NOT SCALE, REFERENCE THE MODEL FOR ALL UNSPECIFIED DIMENSIONS										
-	2-5-11	NEW DRAWING [90713-3]	AWK	<small>UNLESS OTHERWISE SPECIFIED: ALL DIMENSIONS IN MILLIMETERS</small> GENERAL TOLERANCES: X.XX ± X.X ± X ± ANGLES ±										
A	5-18-11	SEE SHEET 1 [91691]	AWK											
B	8-2-19	SEE SHEET 1 & 2 [CT197560]	ARP											
C	03JULY2020	SEE SHEET 1 [CT205196]	RSG											
				<small>THIRD ANGLE PROJECTION</small> 										
			<table border="1"> <thead> <tr> <th>APPROVALS</th> <th>DATE</th> </tr> </thead> <tbody> <tr> <td>AWK</td> <td>2-5-11</td> </tr> <tr> <td>CWF</td> <td>2-5-11</td> </tr> <tr> <td>WRD</td> <td>2-5-11</td> </tr> </tbody> </table>	APPROVALS	DATE	AWK	2-5-11	CWF	2-5-11	WRD	2-5-11	KOHLER. <small>KOHLER, WISCONSIN 53044</small> THIS DRAWING IN DESIGN AND DETAIL IS KOHLER CO. PROPERTY AND MUST NOT BE USED EXCEPT IN CONNECTION WITH KOHLER CO. WORK. ALL RIGHTS OF DESIGN OR INVENTION ARE RESERVED.		
APPROVALS	DATE													
AWK	2-5-11													
CWF	2-5-11													
WRD	2-5-11													
				<table border="1"> <thead> <tr> <th>TITLE</th> <th>SCALE</th> <th>CAD NO.</th> <th>SHEET</th> <th>OF</th> </tr> </thead> <tbody> <tr> <td>DIMENSION PRINT, 300/350 REOXB/REZXB</td> <td>0.08</td> <td></td> <td>3</td> <td>3</td> </tr> </tbody> </table>	TITLE	SCALE	CAD NO.	SHEET	OF	DIMENSION PRINT, 300/350 REOXB/REZXB	0.08		3	3
TITLE	SCALE	CAD NO.	SHEET	OF										
DIMENSION PRINT, 300/350 REOXB/REZXB	0.08		3	3										
				DWG NO. ADV-8044										