

TANK INFORMATION						
LITERS [GALLONS]	MIN HOURS	GENSETS	DIM A MM [INCH]	DIM B MM [INCH]	TANK WEIGHT KG [LBS] (NO FUEL)	
1508 [398]	12 HOURS	350-400KW	381.0 [15.0]	5030.2 [198.0]	1070 [2442]	
1734 [458]	12 HOURS	500KW	431.8 [17.0]	5030.2 [198.0]	1153 [2543]	
2905 [767]	24 HOURS	350-400KW	660.4 [26.0]	5030.2 [198.0]	1373 [3028]	
3347 [884]	24 HOURS	500KW	787.4 [31.0]	5030.2 [198.0]	1477 [3257]	
4298 [1135]	36 HOURS	350-400KW	914.4 [36.0]	5030.2 [198.0]	1620 [3571]	
4975 [1314]	48/36 HOURS	350KW	914.4 [36.0]	5626.7 [221.5]	1827 [4029]	
5767 [1523]	48/36 HOURS	400/500KW	914.4 [36.0]	6236.7 [245.5]	2004 [4419]	
6659 [1759]	48 HOURS	500KW	914.4 [36.0]	6922.5 [272.5]	2245 [4951]	
1532 [404]	12 HOURS STATE	350-400KW	381.0 [15.0]	5830.3 [229.5]	1226 [2703]	
1771 [468]	12 HOURS STATE	500KW	381.0 [15.0]	5830.3 [229.5]	1301 [2869]	
2930 [774]	24 HOURS STATE	350-400KW	584.2 [23.0]	5830.3 [229.5]	1502 [3311]	
3385 [894]	24 HOURS STATE	500KW	660.4 [26.0]	5830.3 [229.5]	1580 [3483]	
4395 [1161]	36 HOURS STATE	350-400KW	660.4 [26.0]	7633.7 [300.5]	2026 [4466]	
5046 [1333]	48/36 HOURS STATE	350KW	711.2 [28.0]	7633.7 [300.5]	2110 [4652]	
5767 [1523]	48/36 HOURS STATE	400/500KW	812.8 [32.0]	7633.7 [300.5]	2226 [4911]	
6675 [1763]	48 HOURS STATE	500KW	914.4 [36.0]	7633.7 [300.5]	2360 [5204]	

NOTES:
FOR PROPER ASSEMBLY METHOD OF HARDWARE, USE G-585 AS A GUIDELINE.

350-500KW REOZJ
STEEL & ALUMINUM ENCL.
SOUND L2

350-500 REOZJ	KG [LBS]
STEEL SOUND L2 ENCLOSURE WEIGHT	1326 [2923]
ALUM. SOUND L2 ENCLOSURE WEIGHT	768 [1694]

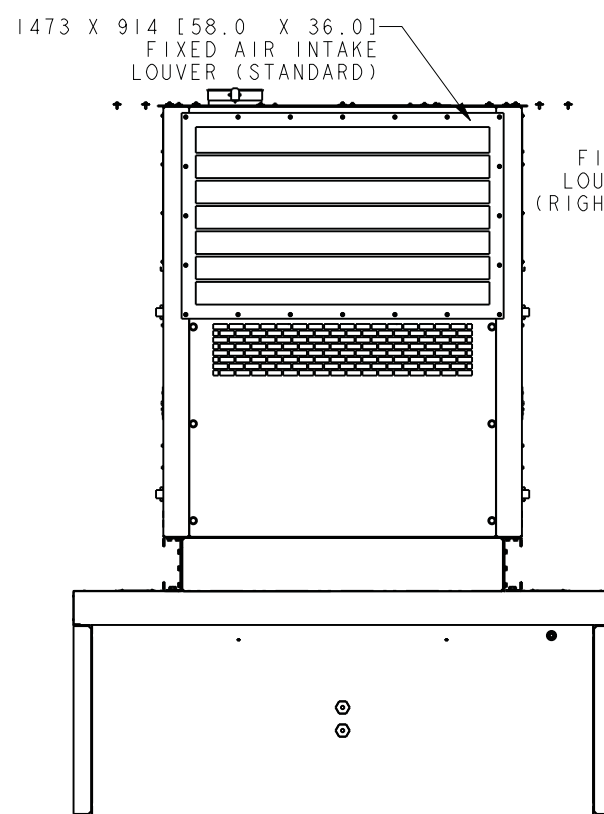
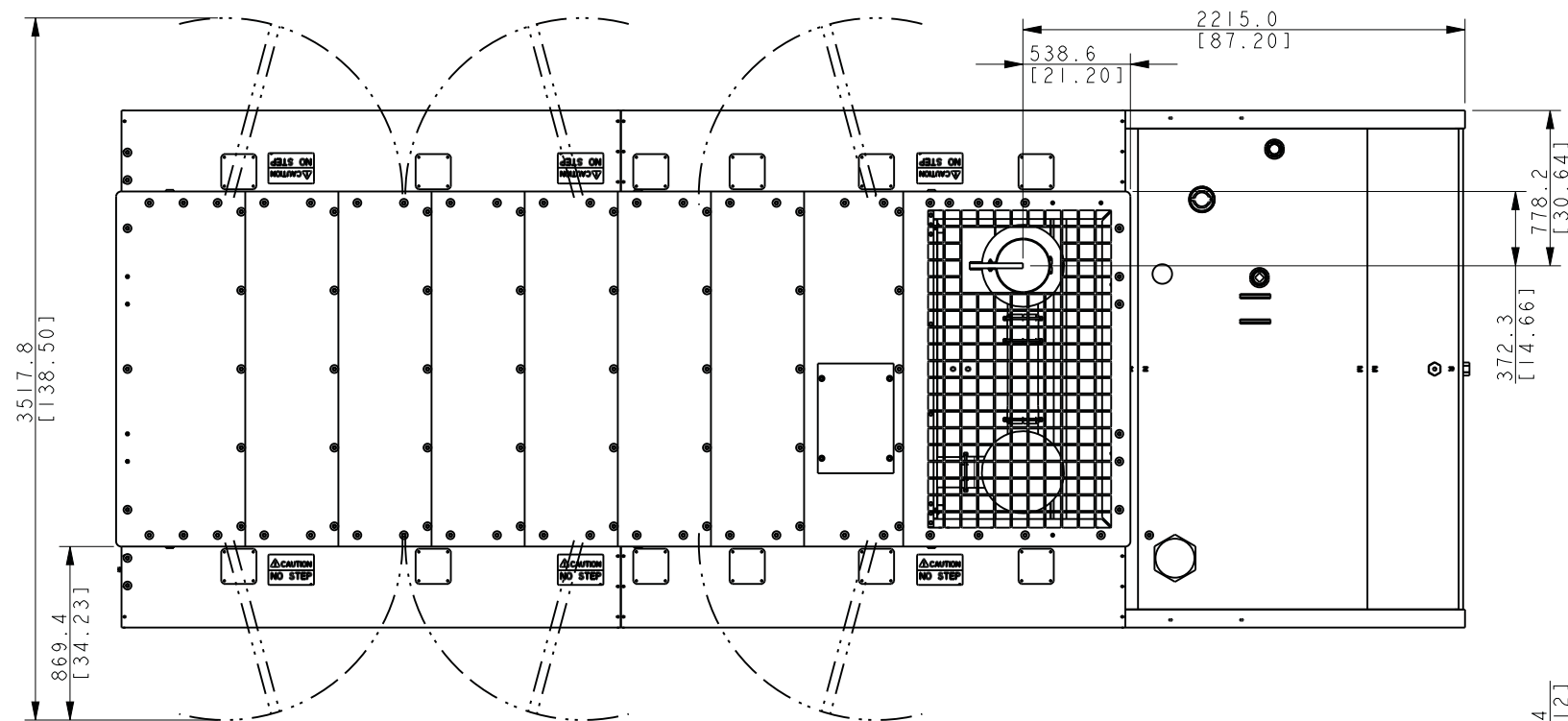
REV	DATE	ON COMPOSITE DWGS. SEE PART NO. FOR REVISION LEVEL	BY	UNLESS OTHERWISE SPECIFIED - 1) DIMENSIONS ARE IN MILLIMETERS 2) TOLERANCES ARE:	DATE
-	2-14-11	NEW DRAWING [90647-22]	RJS	X.XX ± 0.25	
A	6-13-11	(A-7) 450KW REMOVED FROM GENSET COLUMN [91640]	DJV	X.X ± 1.0	
B	7-15-11	(D-3) 538.6 WAS 538.1, 372.3 WAS 321.5, (C-3) 79.4 WAS 84.0 [91583]	RJS	X ± 1.5	
C	12-8-11	SEE SHEET 5 [92430-5]	RJS	ANGLES ± 0° 30' MAX.	
D	2-6-13	SEE SHEET 5 & 6 [CT37651]	SVP	THIRD ANGLE PROJECTION	
E	2-20-13	SEE SHEET 5 [CT38594]	PKD	APPROVALS	DATE
F	5-21-13	VIEWS UPDATED FOR E-VENT [CT47063]	SVP	CHECKED RJS	2-14-11
				APPROVED AJD	2-14-11

KOHLER CO. METRIC PRO-E
POWER SYSTEMS, KOHLER, WI 53044 U.S.A.
THIS DRAWING IN DESIGN AND DETAIL IS KOHLER CO. PROPERTY AND MUST NOT BE USED EXCEPT IN CONNECTION WITH KOHLER CO. WORK. ALL RIGHTS OF DESIGN OR INVENTION ARE RESERVED.

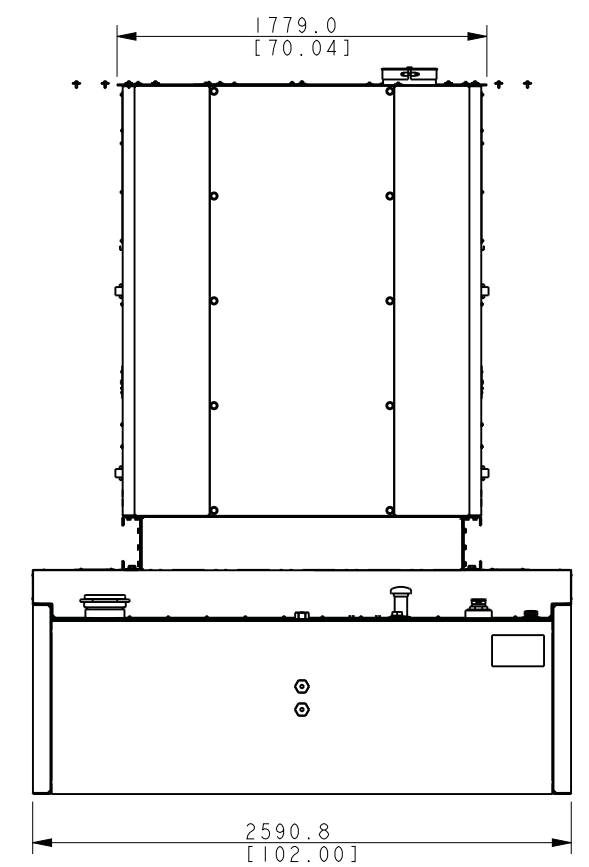
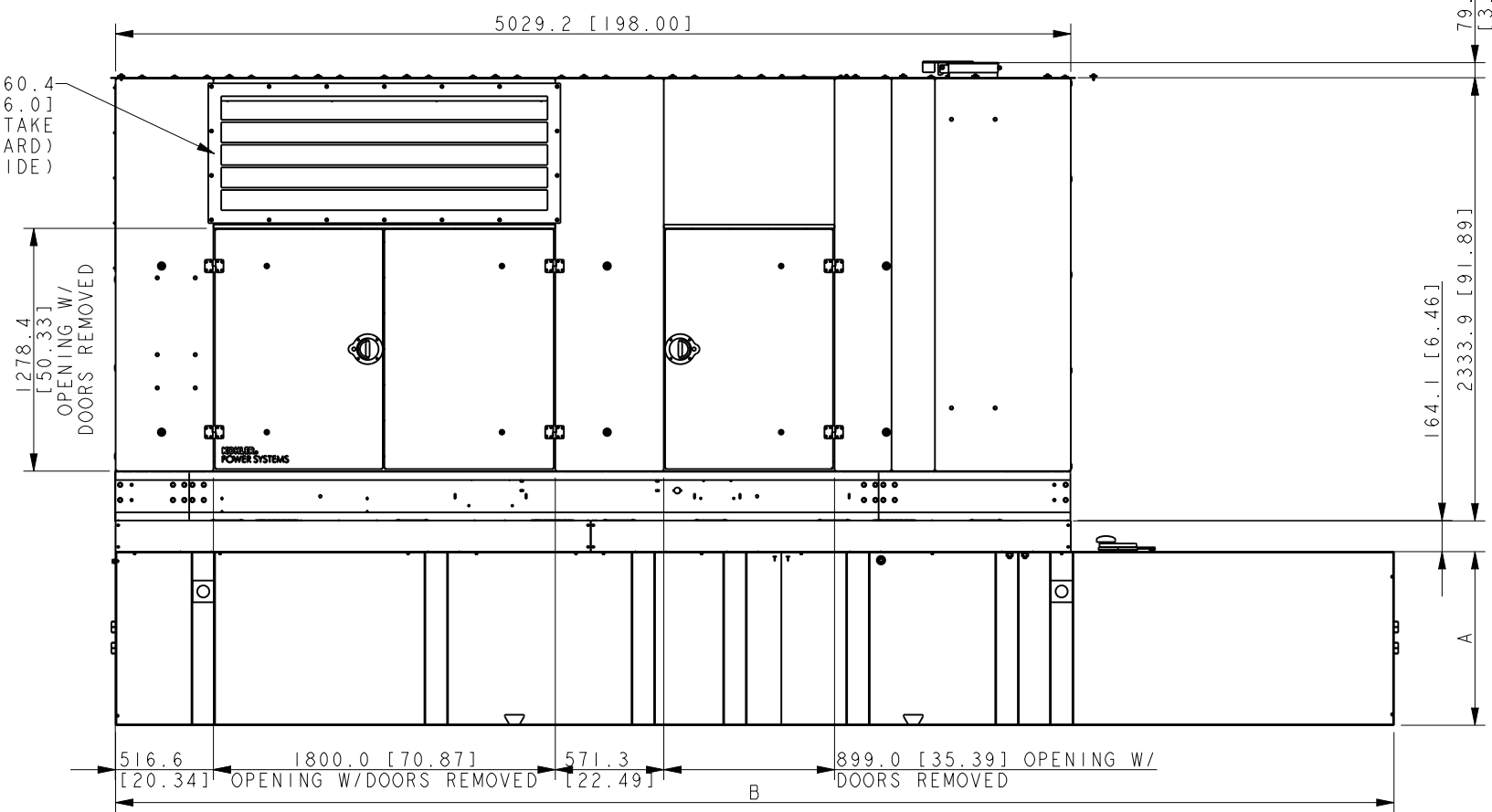
TITLE: **DIMENSION PRINT, 350-500REOZJ SMD LVL 2 & TANKS**

SCALE: 0.06 CAD NO. SHEET 1 of 6

DWG NO. **ADV-7990**



1778 X 660.4 [70.0 X 26.0]
FIXED AIR INTAKE LOUVER (STANDARD)
(RIGHT & LEFT SIDE)



350-500 REOZJ	KG [LBS]
STEEL SOUND L2 ENCLOSURE WEIGHT	1326 [2923]
ALUM. SOUND L2 ENCLOSURE WEIGHT	768 [1694]

REV	DATE	ON COMPOSITE DWGS. SEE PART NO. FOR REVISION LEVEL	BY	UNLESS OTHERWISE SPECIFIED - 1) DIMENSIONS ARE IN MILLIMETERS 2) TOLERANCES ARE:
-	2-14-11	NEW DRAWING [90647-22]	RJS	X.XX ± 0.25
A	6-13-11	SEE SHEET 1 & 4-6 [91640]	DJV	X.X ± 1.0
B	7-15-11	(D-3) 538.6 WAS 538.1, 372.3 WAS 321.5, 2215.0 WAS 2214.5, 778.2 WAS 727.4, (C-3) 79.4 WAS 84.0 [91583]	RJS	X ± 1.5
C	12-8-11	SEE SHEET 5 [92430-5]	RJS	ANGLES ± 0° 30' MAX.
D	2-6-13	SEE SHEET 5 & 6 [CT37651]	SVP	THIRD ANGLE PROJECTION
E	2-20-13	SEE SHEET 5 [CT38594]	PKD	APPROVALS
F	5-21-13	VIEWS UPDATED FOR E-VENT [CT47063]	SVP	CHECKED RJS 2-14-11
				APPROVED AJD 2-14-11

KOHLER CO. METRIC PRO-E
POWER SYSTEMS, KOHLER, WI 53044 U.S.A.
THIS DRAWING IN DESIGN AND DETAIL IS KOHLER CO. PROPERTY AND MUST NOT BE USED EXCEPT IN CONNECTION WITH KOHLER CO. WORK. ALL RIGHTS OF DESIGN OR INVENTION ARE RESERVED.

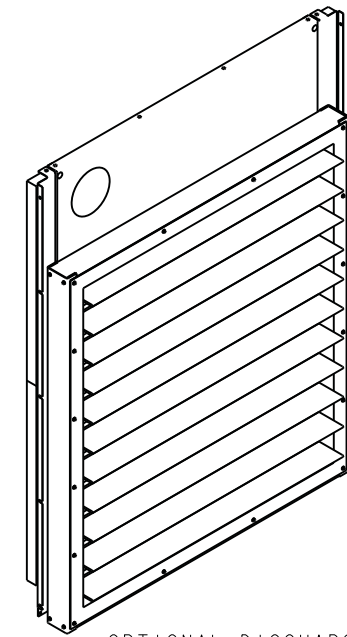
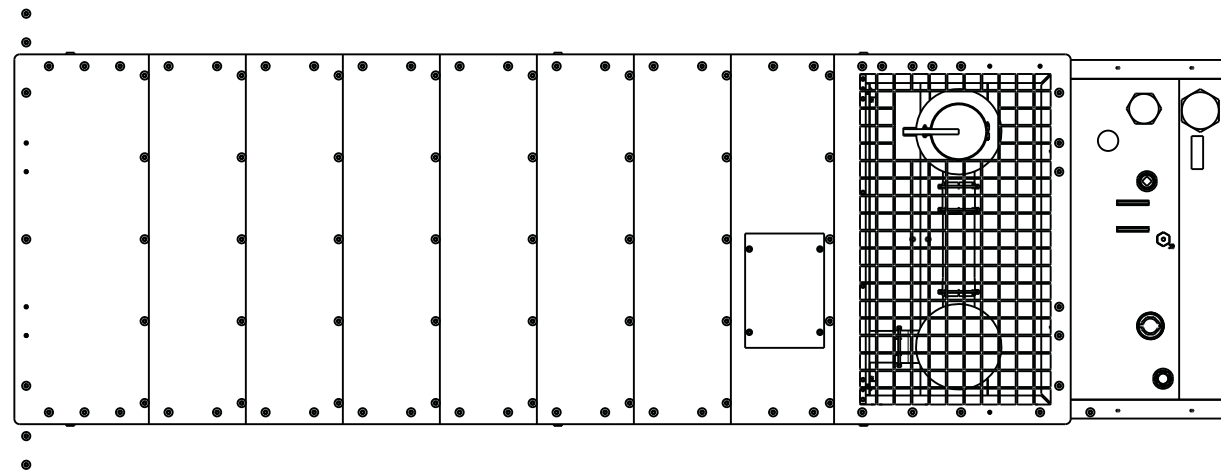
TITLE: **DIMENSION PRINT, 350-500REOZJ SMD LVL 2 & TANKS**

SCALE: 0.40 CAD NO. SHEET 2 of 6

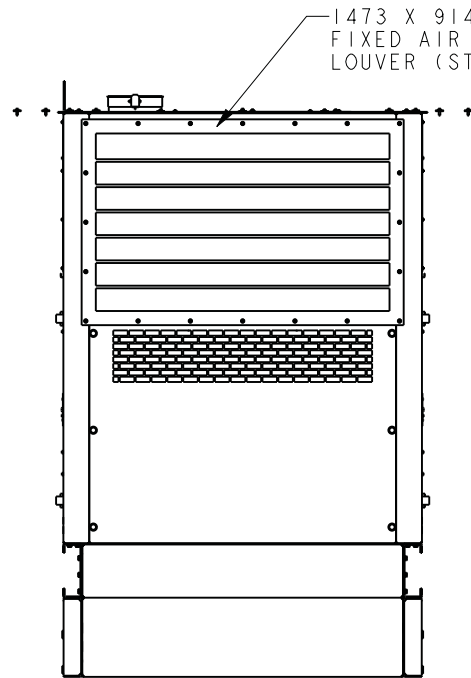
DWG NO. **ADV-7990**

TANK INFORMATION				
LITERS [GALLONS]	MIN HOURS	GENSETS	DIM A MM [INCH]	DIM B MM [INCH]
10009 [2644]	72 HOURS STATE	350-500KW	914.4 [36.0]	6731.0 [265.0]
			TANK WEIGHT KG [LBS] (NO FUEL)	3499 [7713]

**350-500KW REOZJ
STEEL & ALUMINUM ENCL.
SOUND L2**

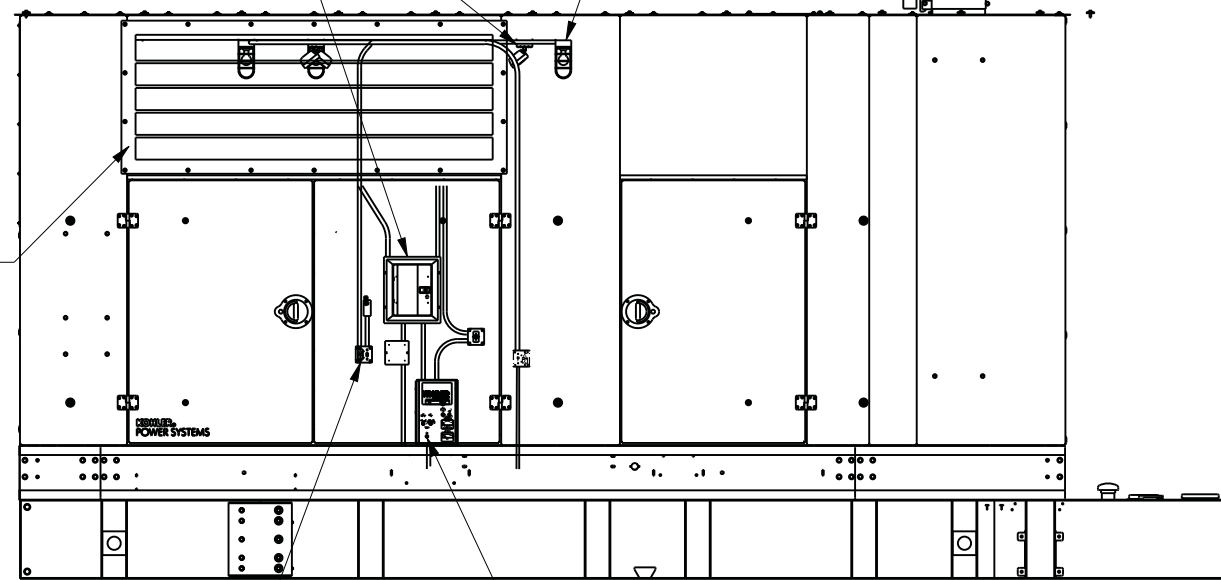


OPTIONAL DISCHARGE DAMPER
(MOUNTED INSIDE DISCHARGE PLENUM)



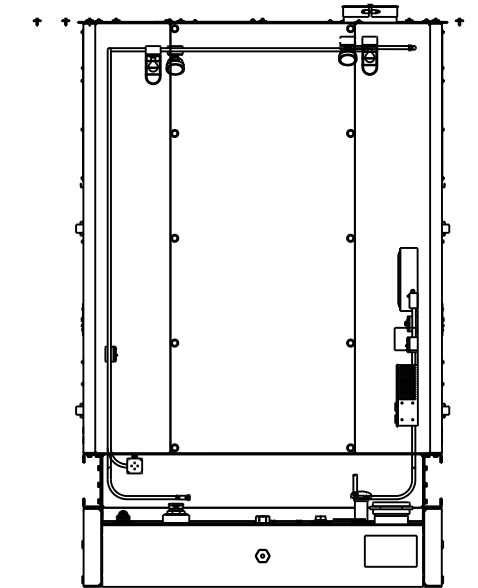
1473 X 914 [58 X 36]
FIXED AIR INTAKE
LOUVER (STANDARD)

DC LIGHT (QTY 4)
INCANDESCENT LIGHT (QTY 4)
DISTRIBUTION PANEL (LEFT SIDE)
RAIN CAP



1778 X 660.4 [70 X 26]
FIXED AIR INTAKE
LOUVER (STANDARD)
(RIGHT & LEFT SIDE)

3 WAY SWITCH
W/GFI
(LEFT SIDE)
BATTERY CHARGER (LEFT SIDE)



TIMER FOR
DC LIGHTS

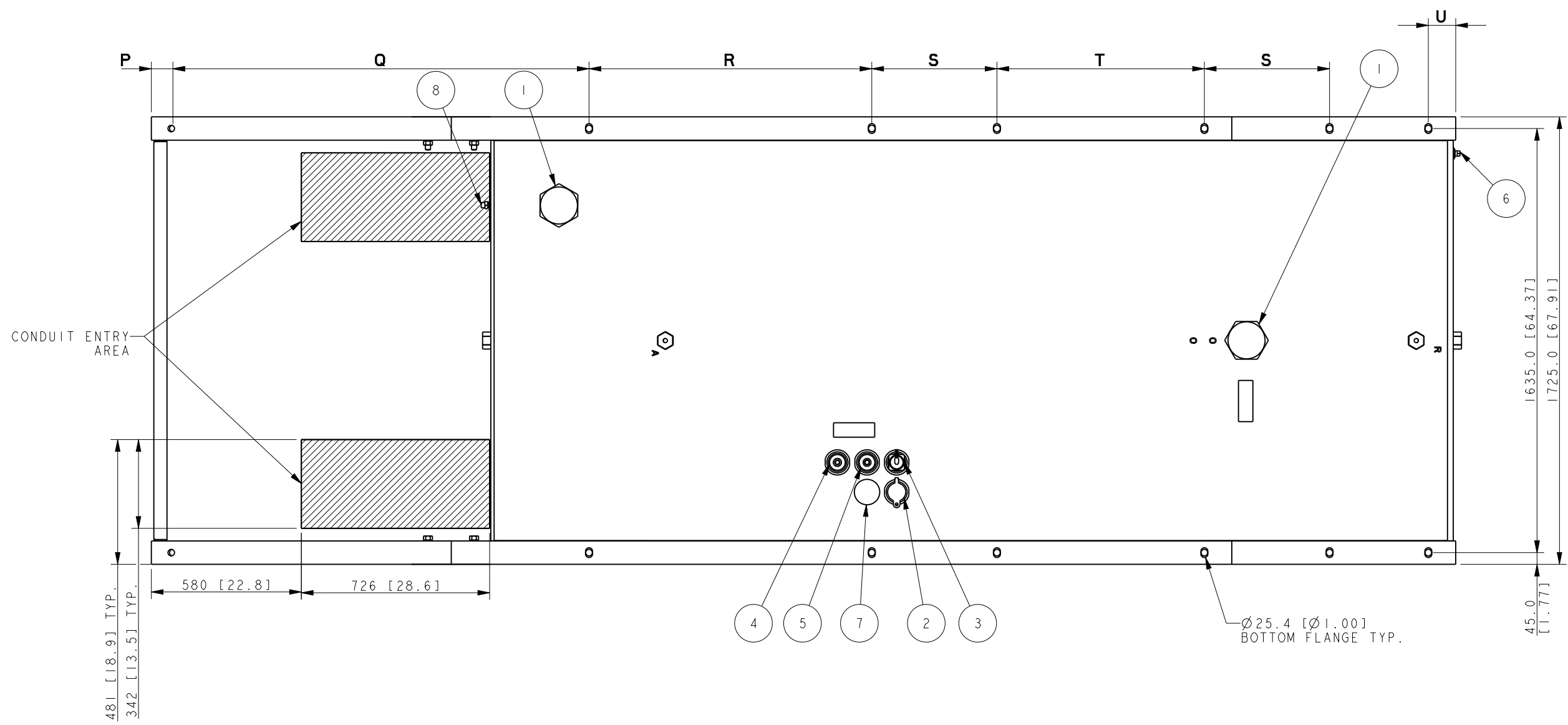
REV	DATE	ON COMPOSITE DWGS. SEE PART NO. FOR REVISION LEVEL	BY	UNLESS OTHERWISE SPECIFIED - 1) DIMENSIONS ARE IN MILLIMETERS 2) TOLERANCES ARE:	APPROVALS	DATE
-	2-14-11	NEW DRAWING [90647-22]	RJS	X.XX ± 0.25	SURFACE FINISH MAX.	THIRD ANGLE PROJECTION
A	6-13-11	SEE SHEET 1 & 4-6 [91640]	DJV	X.X ± 1.0		
B	7-15-11	SEE SHEET 1 & 2 [91583]	RJS	X ± 1.5	APPROVED	DATE
C	12-8-11	SEE SHEET 5 [92430-5]	RJS	ANGLES ± 0° 30'	CHECKED	DATE
D	2-6-13	SEE SHEET 5 & 6 [CT37651]	SVP		APPROVED	DATE
E	2-20-13	SEE SHEET 5 [CT38594]	PKD			
F	5-21-13	VIEWS UPDATED FOR E-VENT [CT47063]	SVP			

KOHLER CO. METRIC PRO-E
POWER SYSTEMS, KOHLER, WI 53044 U.S.A.
THIS DRAWING IN DESIGN AND DETAIL IS KOHLER CO. PROPERTY AND MUST NOT BE USED EXCEPT IN CONNECTION WITH KOHLER CO. WORK. ALL RIGHTS OF DESIGN OR INVENTION ARE RESERVED.

TITLE: **DIMENSION PRINT, 350-500REOZJ SMD LVL 2 & TANKS**

SCALE: 0.06 CAD NO. SHEET 3 of 6
DWG NO. **ADV-7990**

STANDARD TANK



1508 [398 GAL.] 12 HOUR TANK SHOWN.

ITEM	DESCRIPTION
8	SWITCH, FUEL IN BASIN
7	VENT, NORMAL
6	DRAIN, (1/2" NPT)
5	RETURN, FUEL (1/2" NPT)
4	SUPPLY, FUEL (1/2" NPT)
3	GAUGE, FUEL LEVEL, W/ SENDER
2	FILL CAP, 2" LOCKABLE W/PIPE RISER
1	CAP, EMERGENCY VENT

12 - 48 HOUR
350-500kW STD TANK
W/ SOUND L2 HOUSE

TANK INFORMATION		P	Q	R	S	T	U
LITERS [GALLONS]	GENSETS						
1508 [398] 12 HOURS	350-400KW						105.6 [4.2]
1734 [458] 12 HOURS	500KW						
2905 [767] 24 HOURS	350-400KW						
3347 [884] 24 HOURS	500KW	83.1 [3.3]	1604.8 [63.2]	1090.4 [42.9]	482.6 [19.0]	800.0 [31.5]	
4298 [1135] 36 HOURS	350-400KW						
4975 [1314] 48/36 HOURS	350KW						702.5 [27.7]
5767 [1523] 48/36 HOURS	400/500KW						1312.1 [51.7]
6659 [1759] 48 HOURS	500KW						1997.9 [78.7]

REV	DATE	ON COMPOSITE DWGS. SEE PART NO. FOR REVISION LEVEL	BY	UNLESS OTHERWISE SPECIFIED - 1) DIMENSIONS ARE IN MILLIMETERS 2) TOLERANCES ARE:
-	3-3-11	NEW DRAWING [90647-22]	JB2	X.XX ± 0.25 X.X ± 1.0 X ± 1.5
A	6-13-11	(A-7) 450KW REMOVED FROM GENSET COLUMN [91640]	DJV	ANGLES ± 0° 30" MAX.
B	7-15-11	SEE SHEET 1 & 2 [91583]	RJS	
C	12-8-11	SEE SHEET 5 [92430-5]	RJS	
D	2-6-13	SEE SHEET 5 & 6 [CT37651]	SVP	THIRD ANGLE PROJECTION
E	2-20-13	SEE SHEET 5 [CT38594]	PKD	APPROVALS
F	5-21-13	VIEWS UPDATED FOR E-VENT [CT47063]	SVP	DATE
				3-3-11
				3-3-11
				3-3-11

KOHLER CO. METRIC PRO-E

POWER SYSTEMS, KOHLER, WI 53044 U.S.A.

THIS DRAWING IN DESIGN AND DETAIL IS KOHLER CO. PROPERTY AND MUST NOT BE USED EXCEPT IN CONNECTION WITH KOHLER CO. WORK. ALL RIGHTS OF DESIGN OR INVENTION ARE RESERVED.

TITLE: **DIMENSION PRINT, 350-500REOZJ STD LVL 2 & TANKS**

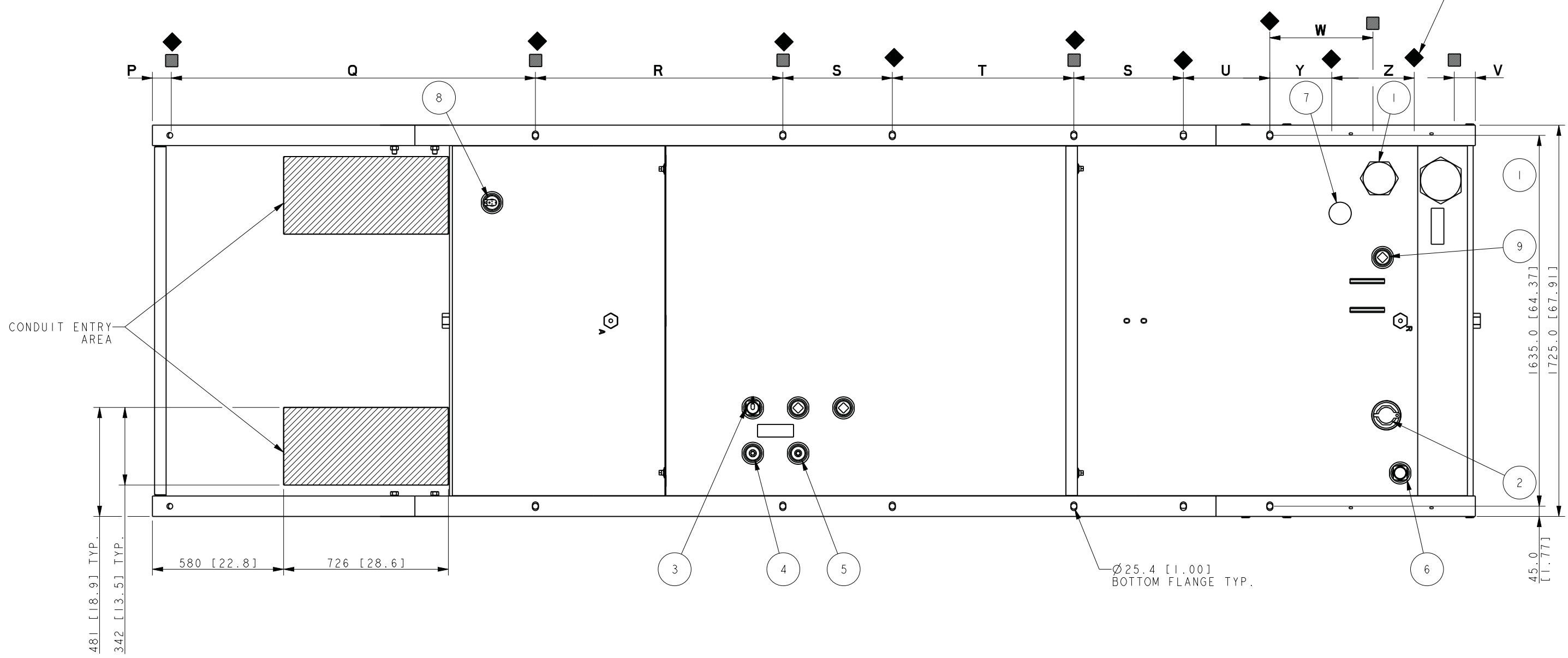
SCALE: 0.40 CAD NO. SHEET 4 of 6

DWG NO. **ADV-7990**

APPROVED: **AJD** 3-3-11

STATE TANK

IBC MOUNTING FOR TANKS > 1000 GALLONS.



1532 [404 GAL.] 12 HOUR TANK SHOWN.

◆ IBC MOUNTING HOLES (NOTE: HOLES ARE DEPENDENT ON TANK LENGTH AND THEREFORE MAY NOT BE REQUIRED.)
 ■ GROUND CLEARANCE I-BEAM MOUNTING HOLE ONLY

ITEM	DESCRIPTION
9	PLUG, PIPE (2"NPT)
8	SWITCH, FUEL IN BASIN TOP MTD, 2"
7	VENT, NORMAL
6	GAUGE, FUEL LEVEL, DIRECT READ
5	RETURN, FUEL (1/2" NPT)
4	SUPPLY, FUEL (1/2" NPT)
3	GAUGE, FUEL LEVEL, W/ SENDER
2	FILL CAP, 2" LOCKABLE W/PIPE RISER
1	CAP, EMERGENCY VENT

12 - 48 HOUR
 350-500kW STATE TANK
 W/ SOUND L2 HOUSE

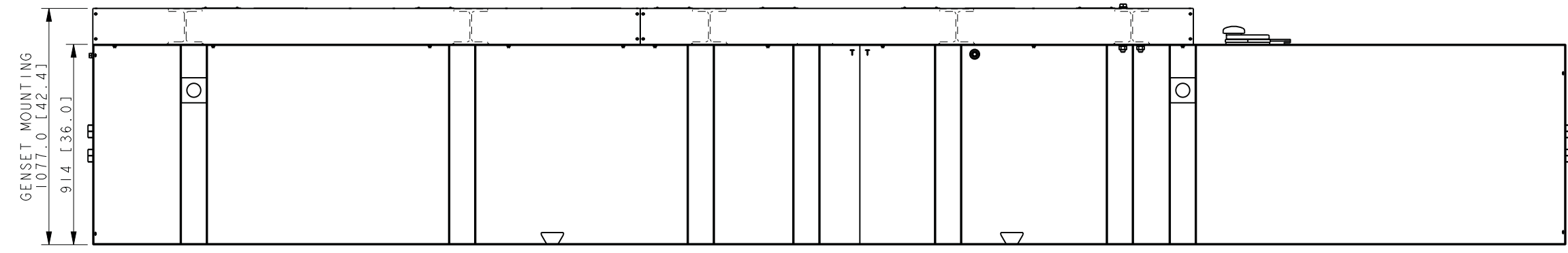
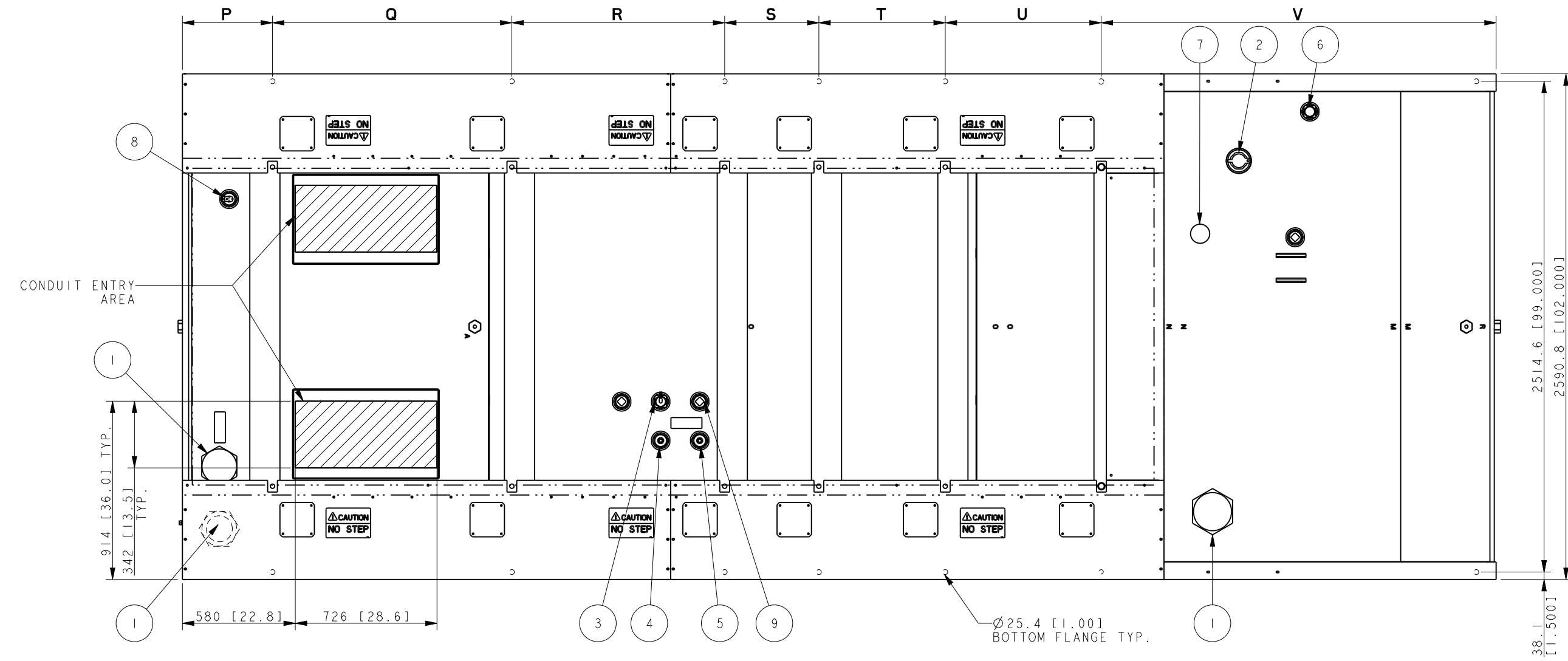
LITERS [GALLONS]		GENSETS		TANK INFORMATION											
	MIN HOURS			P	Q	R	S	T	U	V	W	Y	Z		
1532	[404]	12 HOURS	STATE	350-400KW											
1771	[468]	12 HOURS	STATE	500KW								381.0			
2930	[774]	24 HOURS	STATE	350-400KW								[15.0]			
3385	[894]	24 HOURS	STATE	500KW	83.1	1604.8	1090.4	482.6	800.0	381.0	93.0				
4395	[1161]	36 HOURS	STATE	350-400KW	[3.3]	[63.2]	[42.9]	[19.0]	[31.5]	[15.0]	[3.7]				
5046	[1333]	48/36 HOURS	STATE	350KW								2222.8	891.5	904.2	
5767	[1523]	48/36 HOURS	STATE	400/500KW								[87.5]	[35.1]	[35.6]	
6675	[1763]	48 HOURS	STATE	500KW											

REV	DATE	ON COMPOSITE DWGS. SEE PART NO. FOR REVISION LEVEL	BY	UNLESS OTHERWISE SPECIFIED -
-	3-3-11	NEW DRAWING [90647-22]	JB2	1) DIMENSIONS ARE IN MILLIMETERS
A	6-13-11	(A-7) 450KW REMOVED FROM GENSET COLUMN [91640]	DJV	2) TOLERANCES ARE:
B	7-15-11	SEE SHEET 1 & 2 [91583]	RJS	X.XX ± 0.25
C	12-8-11	(D-1,2,3) DIM U REVISED, DIM V,W,Y & Z ADDED [92430-5]	RJS	X.X ± 1.0
D	2-6-13	SEE SHEET 6; (A-8) IBC MOUNTING HOLES NOTE	RJS	X ± 1.5
E	2-20-13	(A-5) "U": 381.0 WAS 482.7 [CT38594]	PKD	ANGLES ± 0° 30' MAX.
F	5-21-13	VIEWS UPDATED FOR E-VENT [CT47063]	SVP	

KOHLER CO. METRIC PRO-E
 POWER SYSTEMS, KOHLER, WI 53044 U.S.A.
 THIS DRAWING IN DESIGN AND DETAIL IS KOHLER CO. PROPERTY AND MUST NOT BE USED EXCEPT IN CONNECTION WITH KOHLER CO. WORK. ALL RIGHTS OF DESIGN OR INVENTION ARE RESERVED.

TITLE: **DIMENSION PRINT, 350-500RE02J SND LVL 2 & TANKS**

SCALE: 0.40 CAD NO. SHEET 5 of 6
 DWG NO. **ADV-7990**



ITEM	DESCRIPTION
9	PLUG, PIPE (2" NPT)
8	SWITCH, FUEL IN BASIN TOP MTD, 2"
7	VENT, NORMAL
6	GAUGE, FUEL LEVEL, DIRECT READ
5	RETURN, FUEL (1/2" NPT)
4	SUPPLY, FUEL (1/2" NPT)
3	GAUGE, FUEL LEVEL, W/ SENDER
2	FILL CAP, 2" LOCKABLE W/PIPE RISER
1	CAP, EMERGENCY VENT

◆ IBC MOUNTING HOLES - USE ALL HOLES DEFINED BELOW.

TANK INFORMATION								
LITERS [GALLONS] MIN HOURS	GENSETS	P	Q	R	S	T	U	V
10009 [2644] 72 HOURS STATE	350-400KW	461.6 [18.2]	1226.4 [48.3]	1090.4 [42.9]	482.6 [19.0]	647.6 [25.5]	800 [31.5]	2022.4 [79.6]
	500KW							

72 HOUR
350-500kW STATE TANK
W/ SOUND L2 HOUSE

REV	DATE	DESCRIPTION	BY
-	3-9-11	NEW DRAWING [90647-22]	JB2
A	6-13-11	(A-7) 450KW REMOVED FROM GENSET COLUMN [91640]	DJV
B	7-15-11	SEE SHEET 1 & 2 [91583]	RJS
C	12-8-11	VIEW GEOMETRY UPDATED, SEE SHEET 5 [92430-5]	RJS
D	2-6-13	SEE SHEET 5; (A-8) IBC MOUNTING HOLES NOTE ADDED [CT37651]	SVP
E	2-20-13	SEE SHEET 5 [CT38594]	PKD
F	5-21-13	VIEWS UPDATED FOR E-VENT [CT47063]	SVP

KOHLER CO. METRIC PRO-E

POWER SYSTEMS, KOHLER, WI 53044 U.S.A.
THIS DRAWING IN DESIGN AND DETAIL IS KOHLER CO. PROPERTY AND MUST NOT BE USED EXCEPT IN CONNECTION WITH KOHLER CO. WORK. ALL RIGHTS OF DESIGN OR INVENTION ARE RESERVED.

TITLE: **DIMENSION PRINT, 350-500RE0ZJ SND LVL 2 & TANKS**

SCALE: 1.00 CAD NO. SHEET 6 of 6
DWG NO. **ADV-7990**