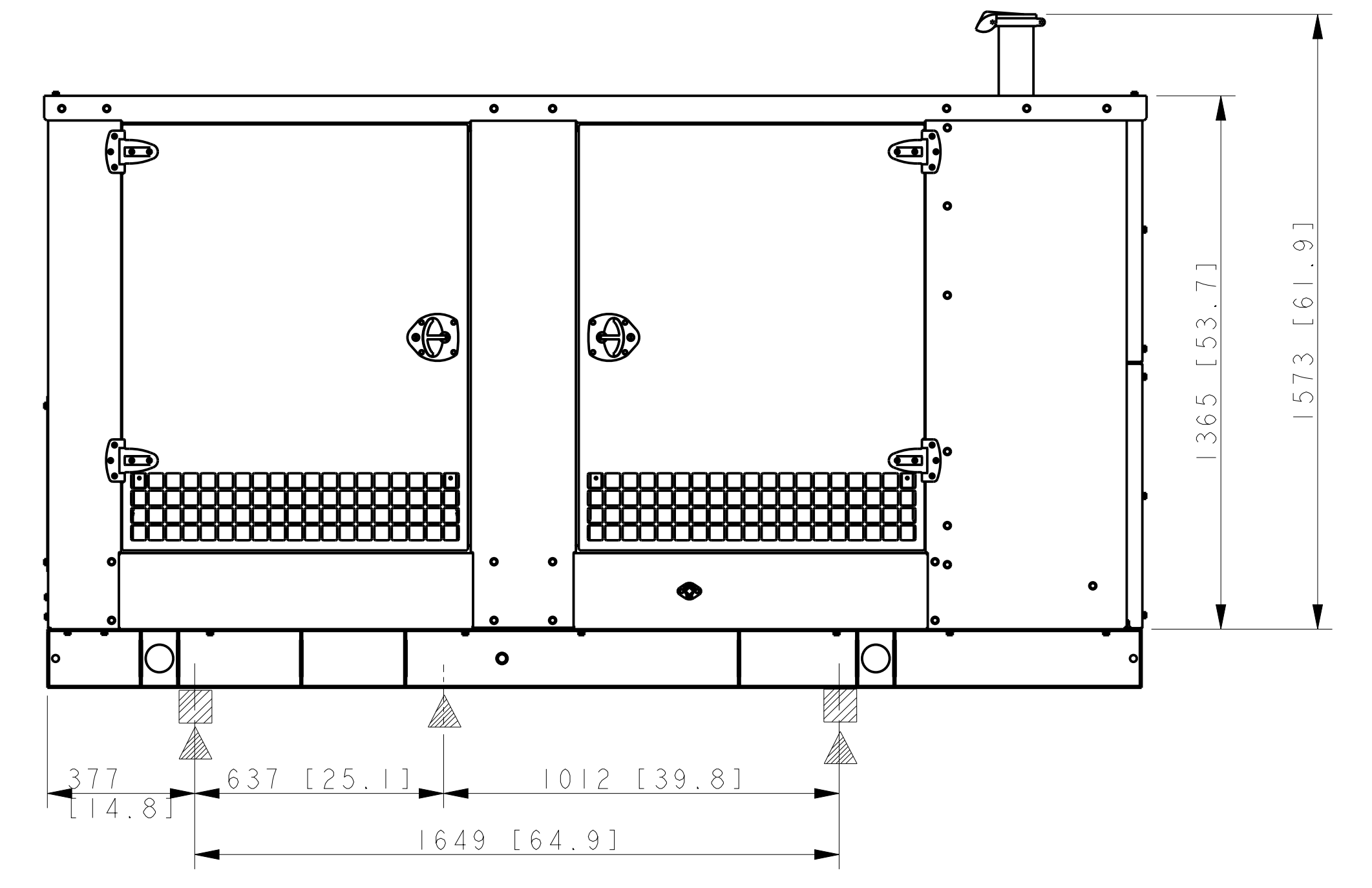
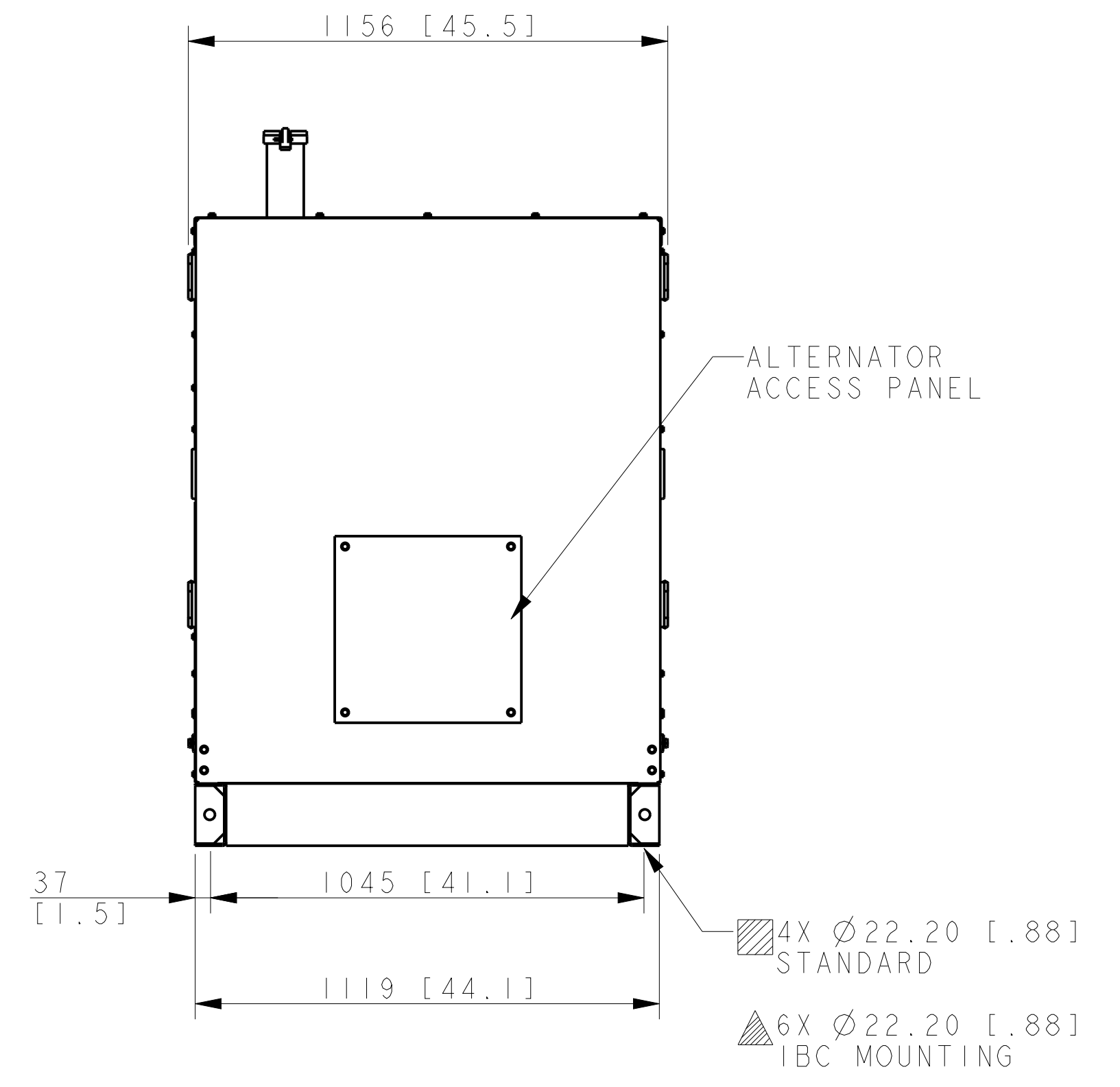
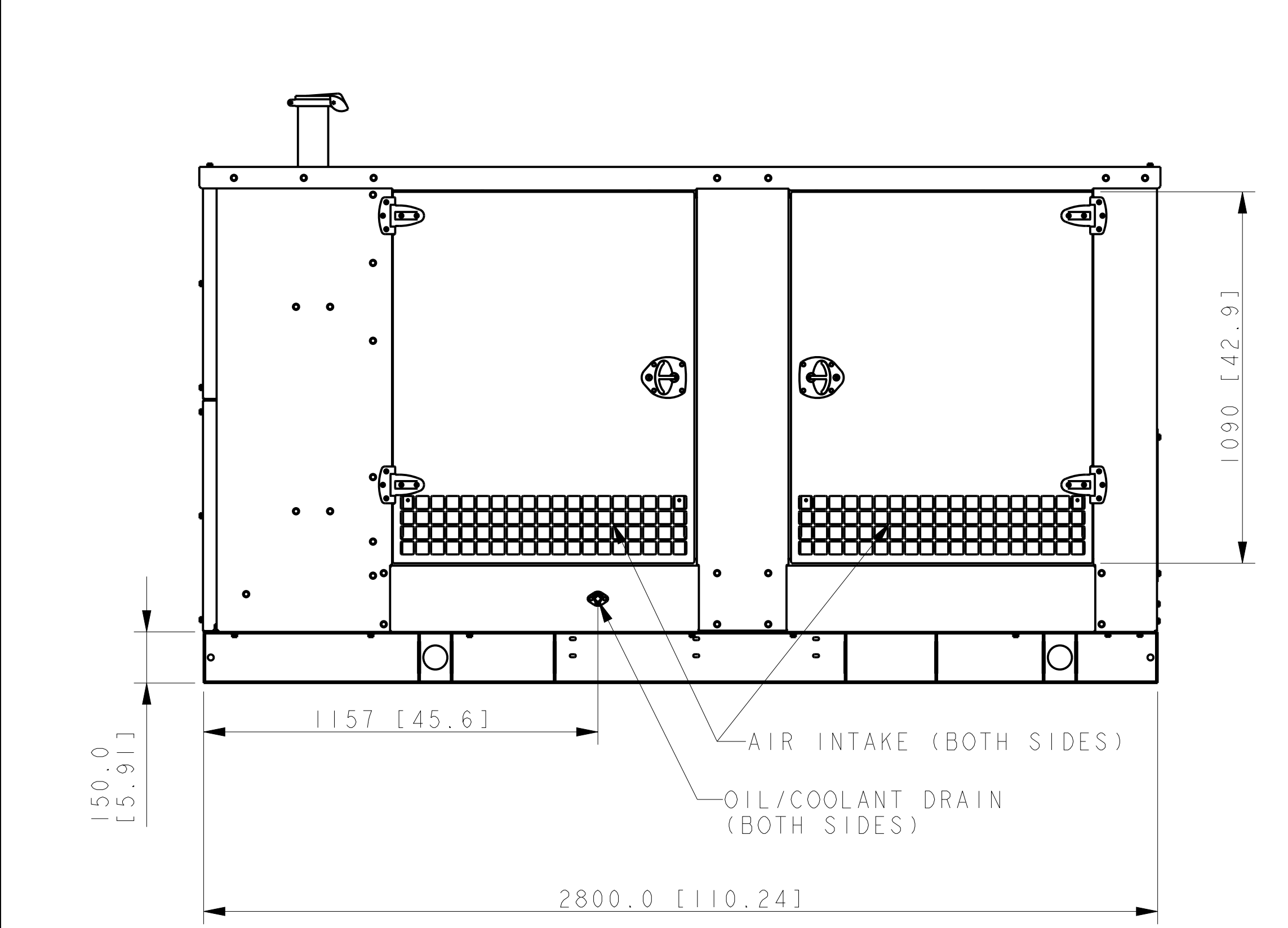


MODEL	ENCLOSURE WEIGHT KG [LBS]
STEEL WEATHER	318 [700]
STEEL SOUND	329 [725]
ALUMINIUM SOUND	204 [450]

NOTE:
 1. IF TANK IS ORDERED, ENCLOSURE MOUNTS DIRECTLY TO TANK
 2. TANK MAY EXTEND BEYOND ENCLOSURE (DISCHARGE END ONLY)



80 MODEL 4S7, 4S9, 4V9, 4P10X, 4R9X, 4T9X
 100 MODEL 4S9, 4S11, 4V11, 4R9X, 4R12X, 4T12X
 RECONNECTABLE
 IMPROVE MOTOR STARTING (IMS) RECONNECTABLE
 600V & 1 PHASE ALTERNATORS
 4045HF285 JOHN DEERE TIER III

REV	DATE	ON COMPOSITE DWGS. SEE PART NO. FOR REVISION LEVEL	BY	UNLESS OTHERWISE SPECIFIED - 1) DIMENSIONS ARE IN MILLIMETERS 2) TOLERANCES ARE:
B	9-28-10	(A-4) 6X Ø22.20 ADDED, 4X Ø22.20 WAS 4X Ø25.4 *A-3) DIM 635 AND 1014 ADDED [90301]	SAM	X.XX ± 0.25 X.X ± 1.0 X ± 1.5
C	1-31-11	(A-7) 1159 WAS 1084 [90327]	SAM	ANGLES ± 0° 30' MAX.
D	12-22-11	(A-4) 4P10X, 4R9X, 4T9X ADDED TO 80 MODEL, 4R9X, 4R12X, 4T12X ADDED TO 100 MODEL [92681]	PKD	THIRD ANGLE PROJECTION
E	2-4-13	(A-1) 1-2 WAS 1-2, SEE SHEET 2 [CT32174]	SAM	APPROVALS
F	10-12-17	(C-7) DIM. Ø88.9 [3.50] ADDED [CT177004]	SRM	DATE
				DRAWN KDW 7-9-09
				CHECKED KDW 7-9-09
				APPROVED ALC 7-9-09

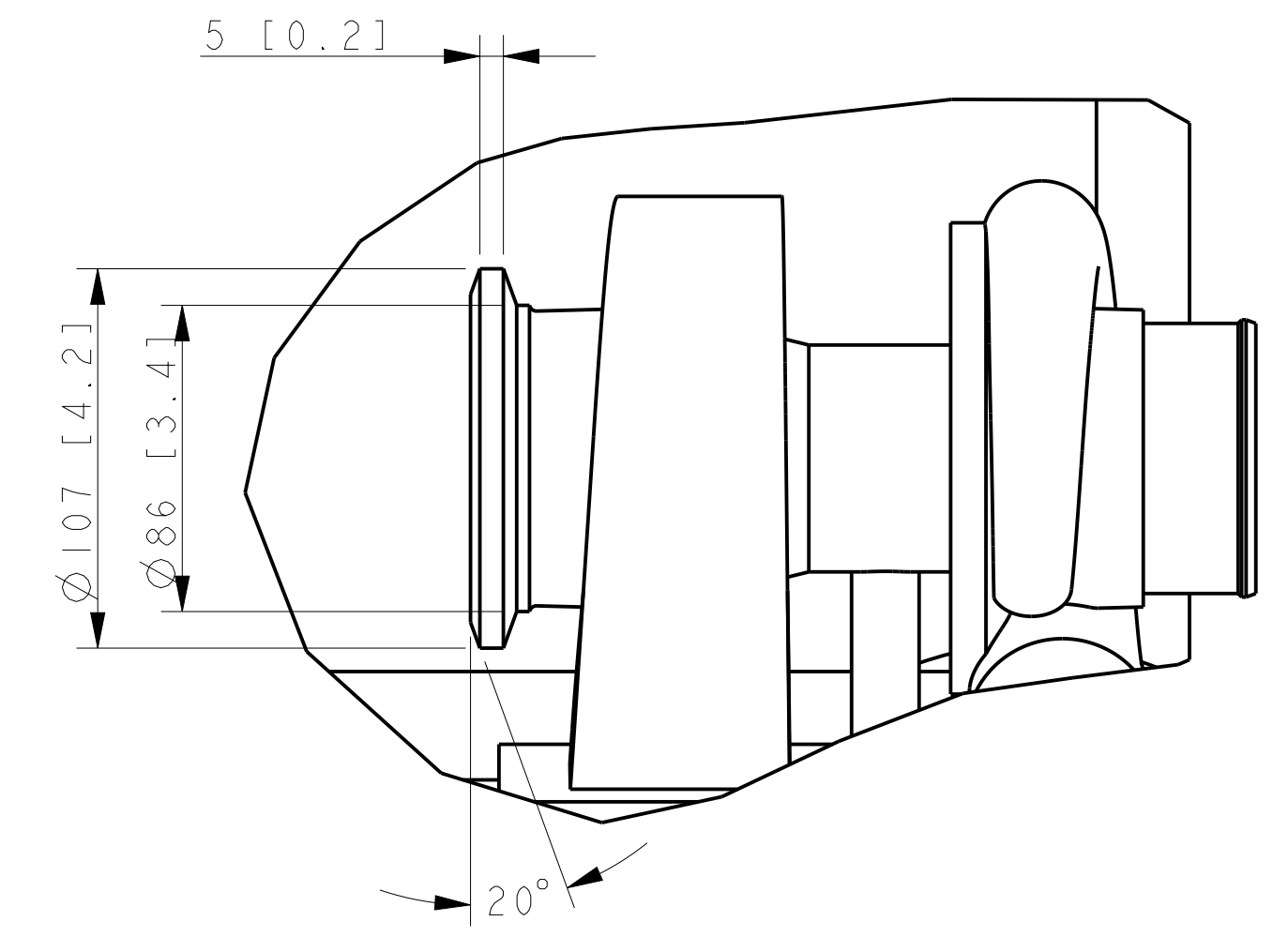
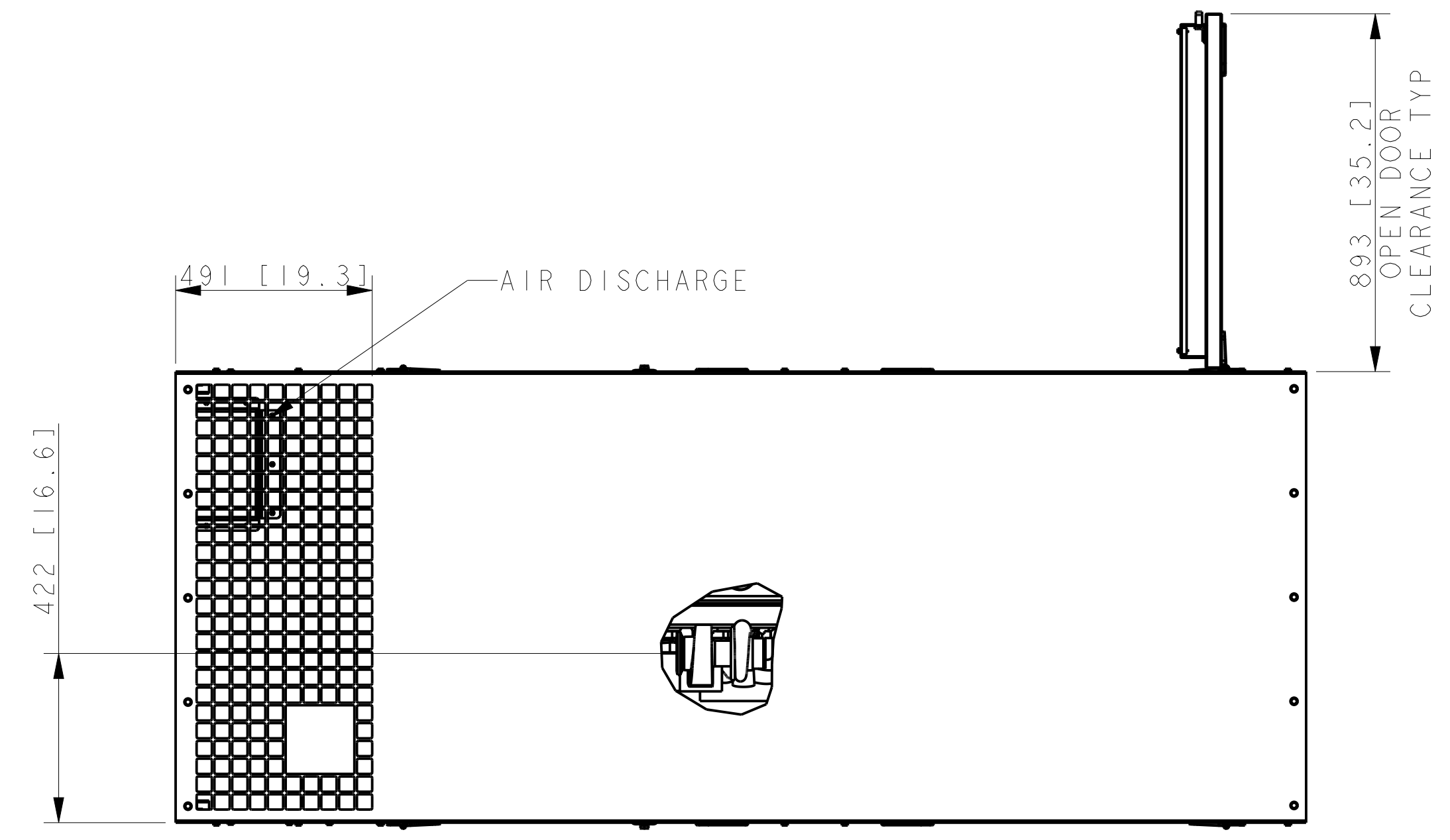
KOHLER CO. METRIC PRO-E
 POWER SYSTEMS, KOHLER, WI 53044 U.S.A.
 THIS DRAWING IN DESIGN AND DETAIL IS KOHLER CO. PROPERTY AND MUST NOT BE USED EXCEPT IN CONNECTION WITH KOHLER CO. WORK. ALL RIGHTS OF DESIGN OR INVENTION ARE RESERVED.

TITLE: **DIMENSION PRINT**

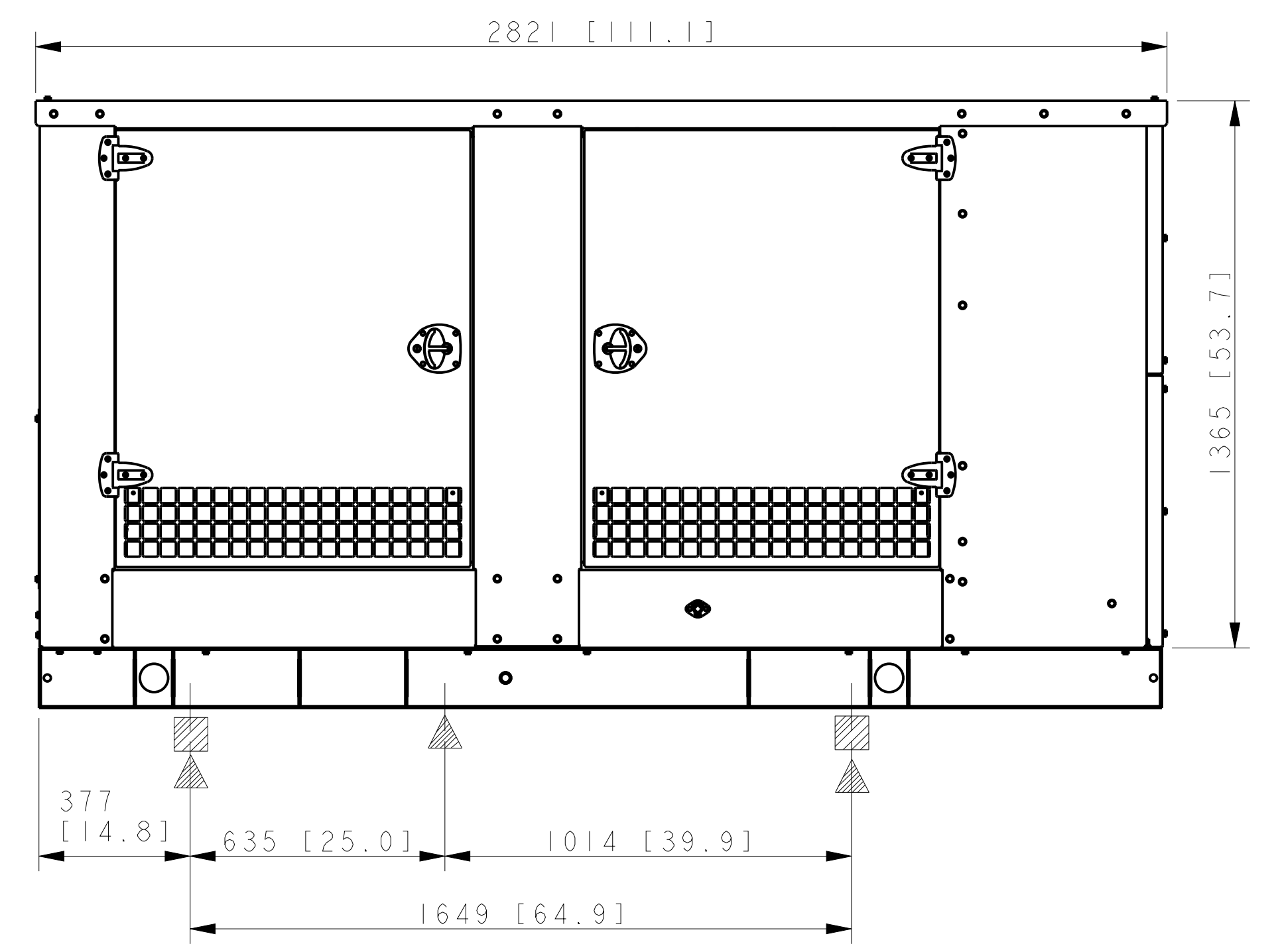
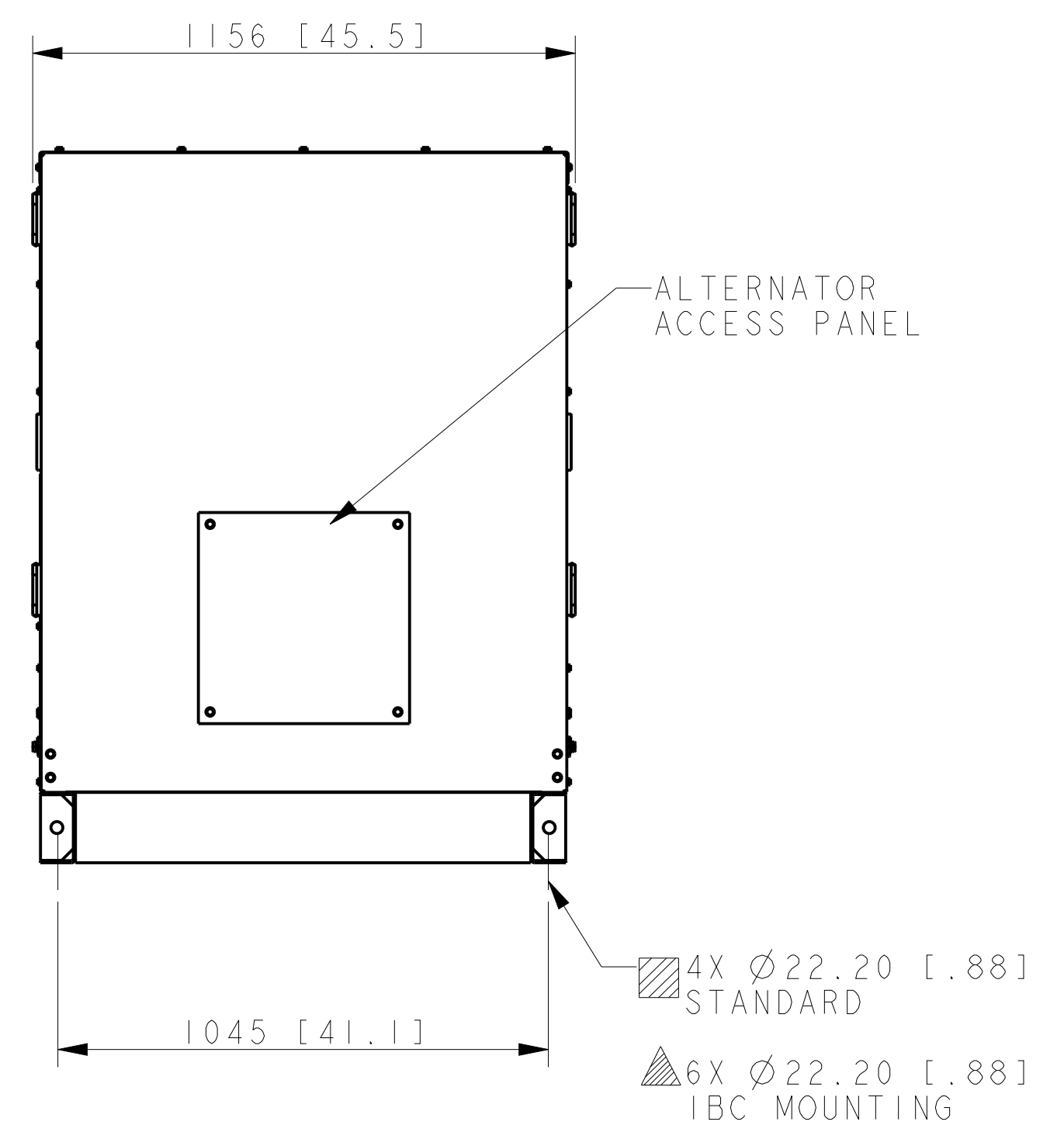
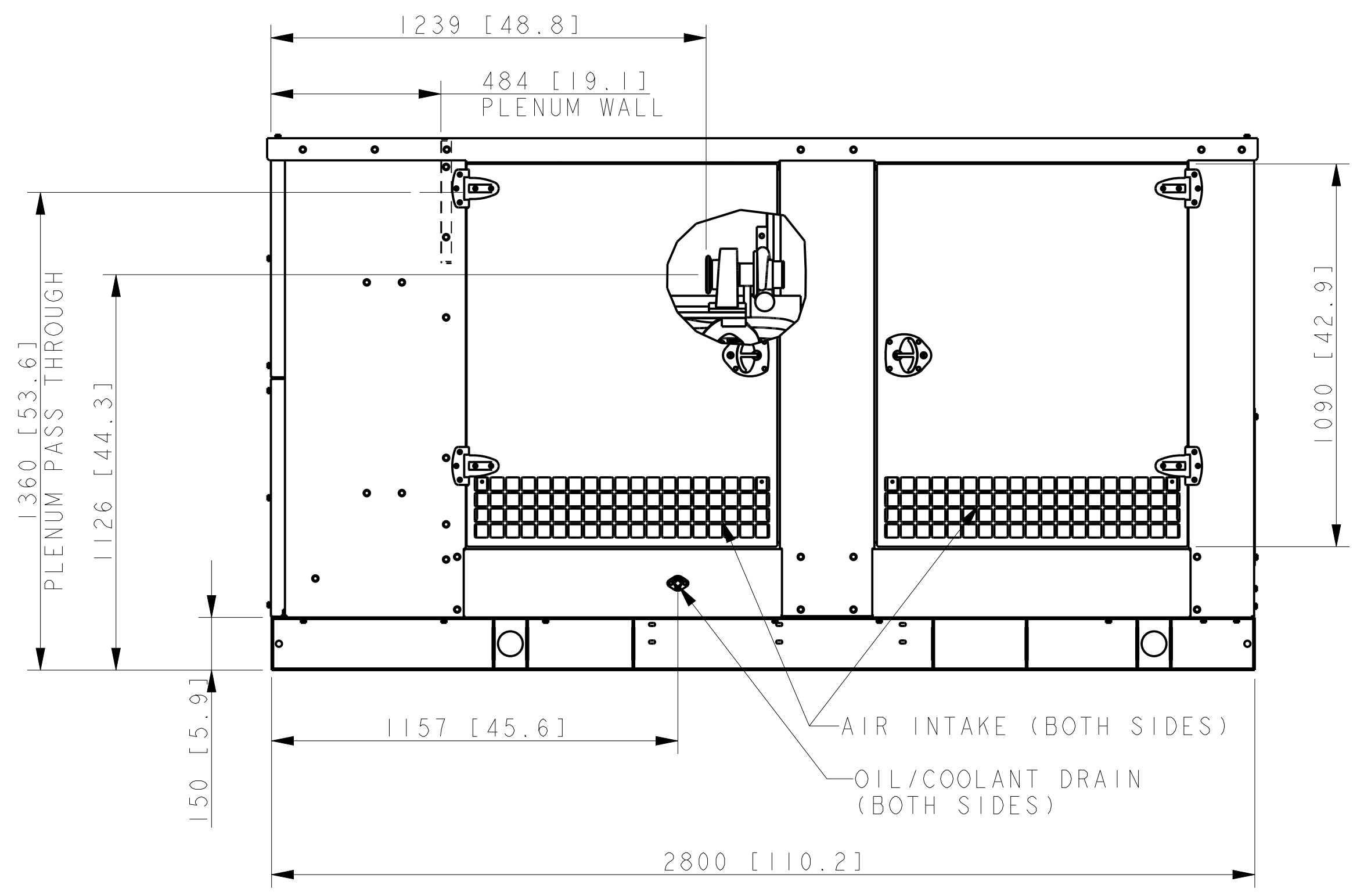
SCALE: 0.08 CAD NO. SHEET 1 of 2
 DWG NO. **ADV-7647** D

MODEL	ENCLOSURE WEIGHT KG [LBS]
STEEL WEATHER	292 [643]
STEEL SOUND	303 [668]
ALUMINIUM SOUND	178 [393]

NOTE:
 1. IF TANK IS ORDERED, ENCLOSURE MOUNTS DIRECTLY TO TANK
 2. TANK MAY EXTEND BEYOND ENCLOSURE (DISCHARGE END ONLY)



EXHAUST OUTLET
SCALE 0.500



**CA AQMD READY ENCLOSURES
(NO SILENCER)**

80 MODEL 4S7, 4S9, 4V9, 4P10X, 4R9X, 4T9X
 100 MODEL 4S9, 4S11, 4V11, 4R9X, 4R12X, 4T12X
 RECONNECTABLE
 IMPROVE MOTOR STARTING (IMS) RECONNECTABLE
 600V & 1 PHASE ALTERNATORS
 4045HF285 JOHN DEERE TIER III

REV	DATE	ON COMPOSITE DWGS. SEE PART NO. FOR REVISION LEVEL	BY
E	2-4-13	SHEET 2 AND AQMD MODEL ADDED [CT32174]	SAM
F	10-12-17	SEE SHEET 1 [CT177004]	SRM

KOHLER CO. METRIC PRO-E
 POWER SYSTEMS, KOHLER, WI 53044 U.S.A.
 THIS DRAWING IN DESIGN AND DETAIL IS KOHLER CO. PROPERTY AND MUST NOT BE USED EXCEPT IN CONNECTION WITH KOHLER CO. WORK. ALL RIGHTS OF DESIGN OR INVENTION ARE RESERVED.

TITLE: **DIMENSION PRINT**

SCALE: 0.08 CAD NO. SHEET 2 of 2
 DWG NO. **ADV-7647** D