

# KOHLER® COMMAND PRO®

4.5–5.5 HP Engines



**KOHLER®**  
IN POWER. SINCE 1920.

# SMALL SIZE. BIG POWER.



CH255

## KOHLER® COMMAND PRO®

With a convenient drop-in design, the KOHLER Command PRO 4.5 and 5.5 hp engines pack long-lasting commercial power into compact, industry-standard dimensions. And they feature longer runtimes. So you get better, more dependable performance out of your equipment. Time and time again.

### DEPENDABLE OPERATION

- New twist-off air cleaner cover for easy maintenance
- Protects from airborne contaminants that can easily clog traditional air filters
- Quad-Clean™ all-season four-stage cyclonic air filter—effective engine protection for tough-and-dirty conditions

### LONGER RUNTIMES

- Large-capacity fuel tank means more time working, less time filling
- Electronic ignition and an advanced combustion system design help reduce fuel consumption

### ALL-WEATHER PERFORMANCE

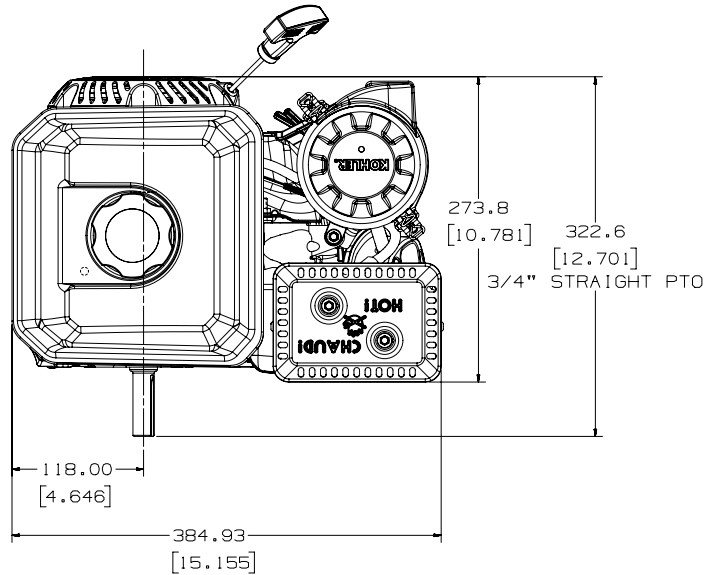
- Quad-Clean air filter reconfigures in seconds to recycle engine heat
- Command PRO starts effortlessly in weather conditions from 0 to 110 degrees

### BUILT TO LAST

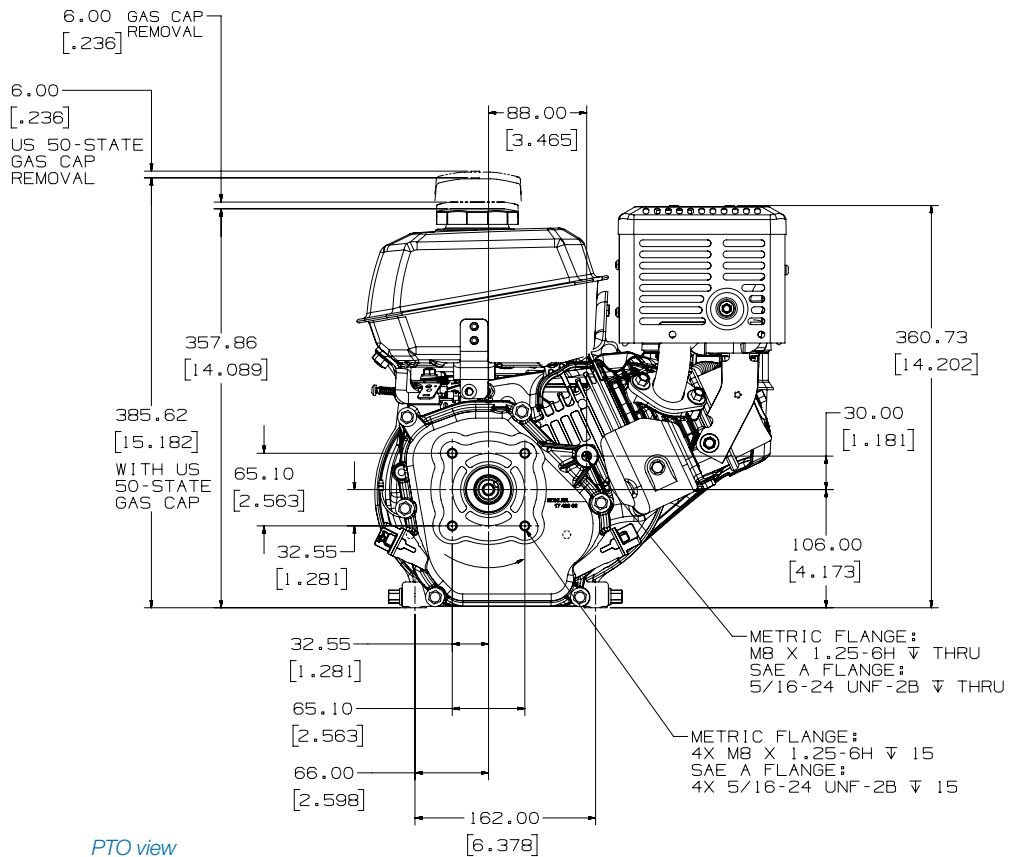
- Oil Sentry™ automatically shuts engine down in low-oil conditions
- Cast-iron cylinder liners, dual ball bearings and a forged crankshaft for long engine life

# KOHLER® COMMAND PRO®

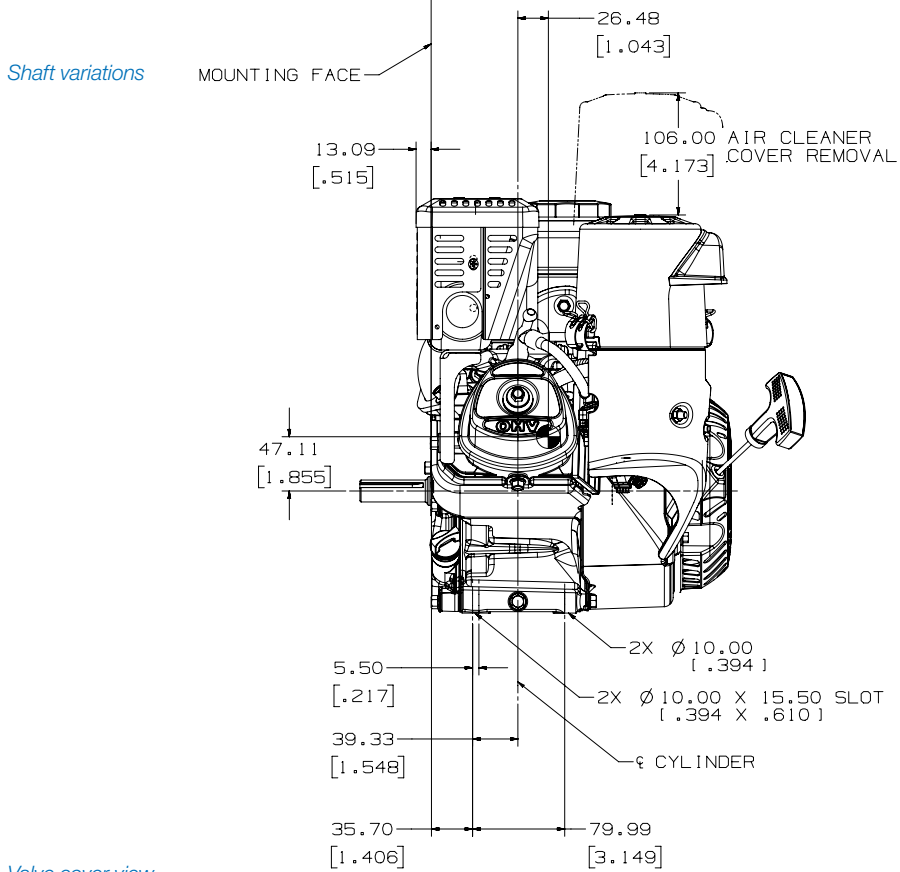
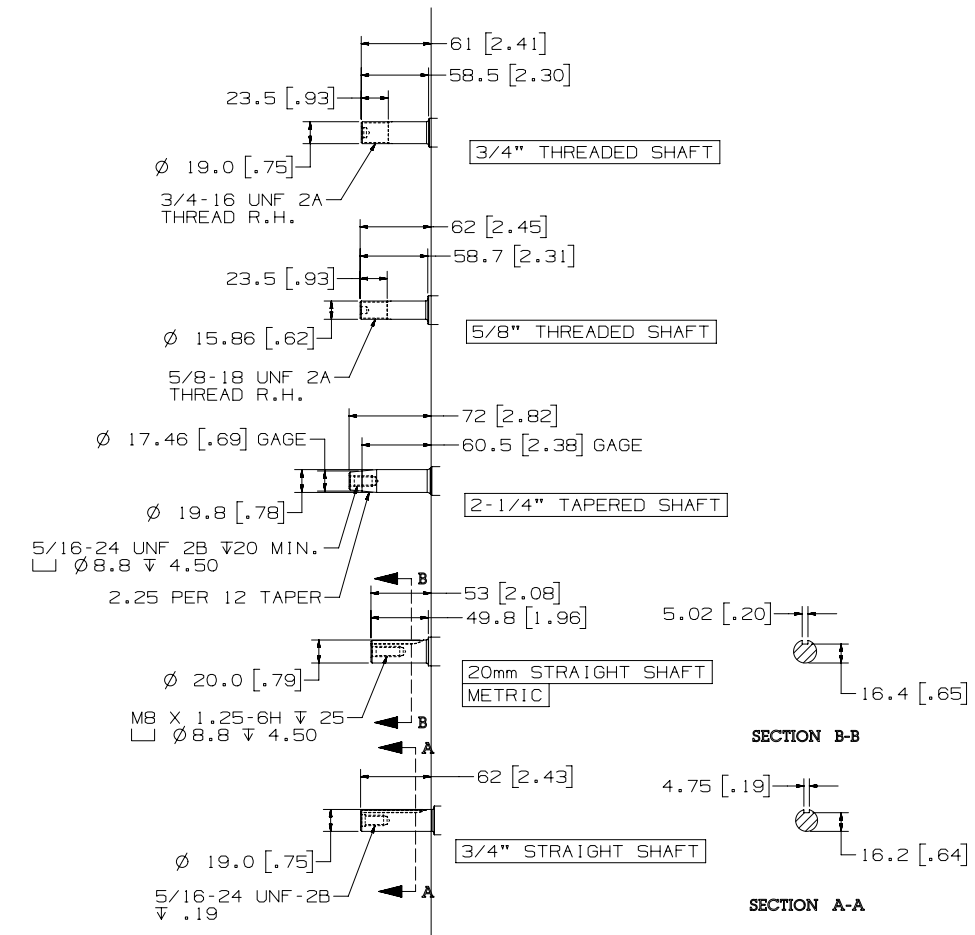
## 4.5–5.5 HP Horizontal-Shaft Engines



Top view



PTO view



# KOHLER COMMAND PRO®

ENGINE TYPE		Four-cycle, single cylinder, overhead valve, air-cooled, gasoline, horizontal shaft, aluminum head and crankcase with cast-iron cylinder liner	
MODEL		CH245	CH255
GROSS POWER @ 3600 RPM	Max. hp (kW)	4.5 (3.3)	5.5 (4.0)
DISPLACEMENT	cu in (cc)	10.8 (177)	
BORE	in (mm)	2.7 (68)	
STROKE	in (mm)	1.9 (49)	
PEAK TORQUE @ RPM	ft lb (Nm)	7.2 (9.8) @ 2800	8.3 (11.2) @ 2800
COMPRESSION RATIO		8.5:1	
DRY WEIGHT	lb (kg)	33.2 (15)	
OIL CAPACITY	U.S. qt (L)	0.6 (0.6)	
FUEL CAPACITY	U.S. qt (L)	3.1 (3.0)	
LUBRICATION		Splash	
*DIMENSIONS L x W x H	in (mm)	10.28 x 15.16 x 15.18 (261 x 385 x 386)	
CRANKSHAFT HEIGHT	in (mm)	4.2 (106.0)	

\*Length is PTO mounting face to recoil cover. Width is fuel tank to muffler. Height is from mounting surface to top of fuel cap.

## STANDARD FEATURES

Quad-Clean™ heavy-duty cyclonic air cleaner

Built-in warm-air system for winter operation

OHV slant cylinder

Cast-iron cylinder liner

Large-capacity metal fuel tank

Two fuel filters: fill neck and in-tank

Electronic ignition

Quiet muffler with heat shield and spark arrestor

CARB Tier 3 / EPA Phase III-certified

Increased displacement for more power

Dual ball bearings

Steel-forged-and-hardened crankshaft

Dual oil fills and drains

Automatic low-oil engine shutdown system

Carbon canister fuel cap

Remote choke and throttle capable

Swirl-induction combustion chamber

Easy-access throttle, choke and fuel shutoff

Automatic compression release

Mechanical governor

Sound-deadening alloy crankcase

Carburetor bowl drain

High inertia flywheel

Silenced air intake

Fuel Secure™ auto fuel shutoff

3-year limited warranty

## POPULAR FACTORY OPTIONS

2:1 with clutch gear box

6:1 gear box

High-altitude kits

12-volt starter

EMC and Canadian RFI Standards

Exhaust deflector

Low-profile air cleaner

Low-profile muffler

3- and 10-amp charging systems

Crankshaft/PTO variations (keyed, tapered, threaded)

**KOHLER**<sup>®</sup>  
IN POWER. SINCE 1920.

For more information, contact your KOHLER source of supply.  
Or call toll-free in the United States and Canada 800-544-2444.

**KohlerEngines.com**

PRINTED IN U.S.A E-2277 10/16 © 2016 KOHLER CO.