



# Springdale®

14-1/2" undermount single-bowl kitchen sink  
**UCL1515B**

### Features

- No faucet holes; requires wall- or counter-mount faucet
- 7" depth
- 3-5/8" (92 mm) drain opening
- Stainless steel with luster finish
- Includes strainer

### Material

- Premium 19-gauge stainless steel

### Installation

- Undermount

### Recommended Products/Accessories

- K-23726 Drain treatment
- K-23729 Stainless steel cleaner

### Optional Products/Accessories

- 7400 Stainless Steel Sink Drain and Strainer

### Included Components

- 7400 Stainless Steel Sink Drain and Strainer
- 91915 Hardware Kit



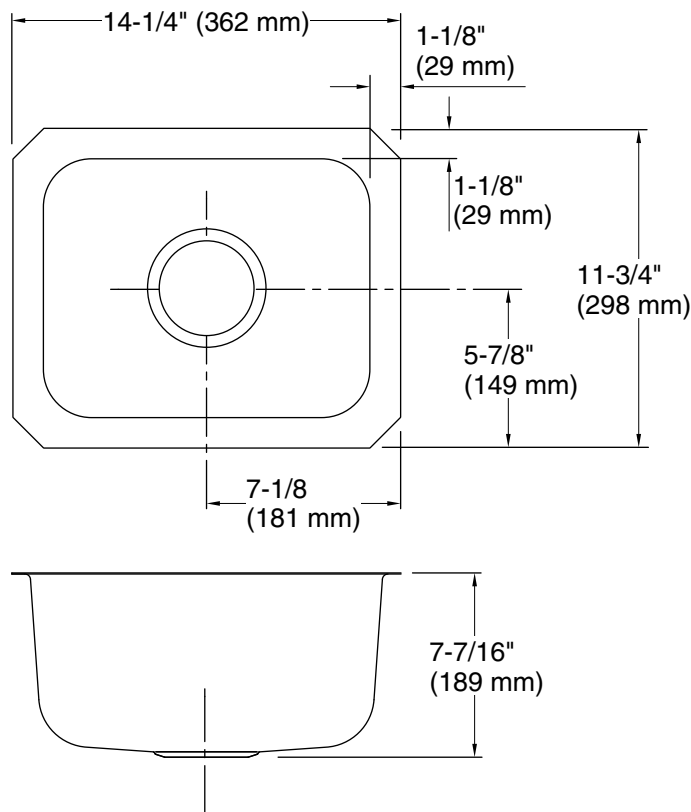
**ADA**

### Codes/Standards

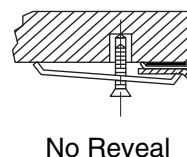
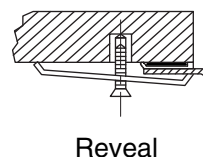
- ASME A112.19.3/CSA B45.4
- ADA
- IAPMO Certification

### STERLING® Stainless Steel Sinks Lifetime Limited Warranty

See website for detailed warranty information.



Mounting bracket assembly provides a secure installation.



### Technical Information

All product dimensions are nominal.

Bowl configuration: Single

Min. base cabinet width: 18" (457 mm)

Bowl area (Only): Length: 12" (305 mm)  
Width: 9-1/2" (241 mm)  
Bowl depth: 7" (178 mm)  
Water depth: 7" (178 mm)

Drain hole: 3-5/8" (92 mm)

Template: 1315841-7, required, included

### Notes

Install this product according to the installation instructions.

Measure your actual product for roughing-in details.

ADA compliant when installed to the specific requirements of these regulations.

ADA permits a parallel approach to wet bars.