



Springdale®

Under-Mount Bar Sink

UCL1515B

Features

- 7"-deep single bowl.
- 3-5/8" drain opening.
- Stainless steel with luster finish.
- SilentShield® sound-absorption technology offers quieter performance.
- Includes strainer.

Installation

- Undermount.
- No faucet holes; requires wall-or counter-mount faucet.

Recommended Products/Accessories

- K-23726 Drain treatment
- K-23729 Stainless steel cleaner

Optional Products/Accessories

- 7400 Sink Strainer

Included Components

Product consists of:

- 7400 Sink Strainer
- 91915 Hardware Kit

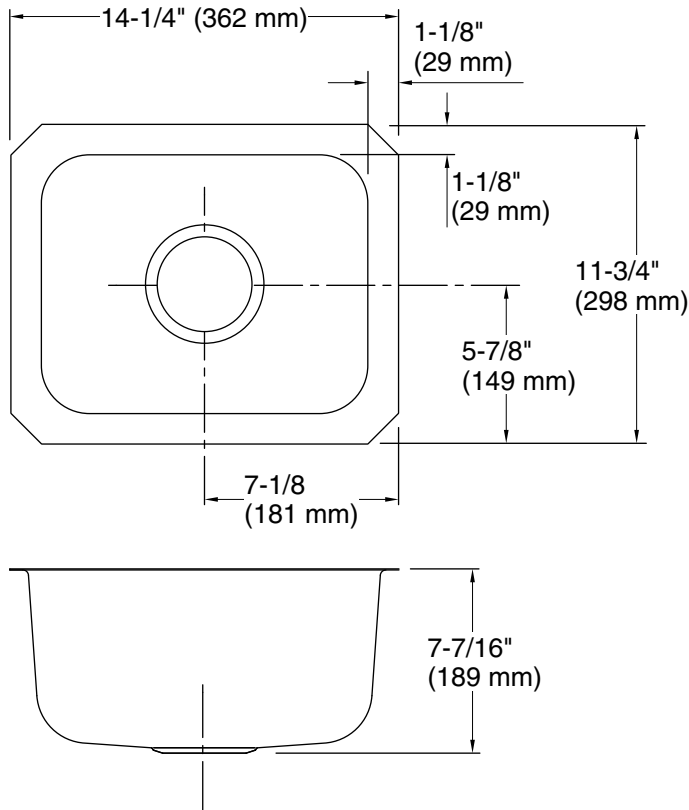


Codes/Standards

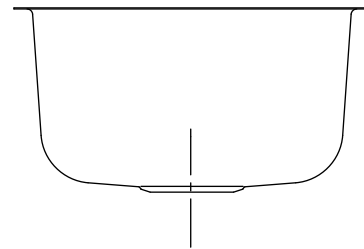
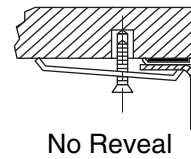
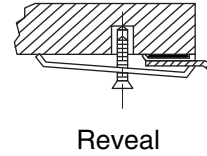
ASME A112.19.3/CSA B45.4

STERLING® Warranty - Stainless Steel Sinks

See website for detailed warranty information.



Mounting bracket assembly provides a secure installation.



Technical Information

All product dimensions are nominal.

- Bowl configuration: Single
- Installation: Under-mount
- Min. base cabinet width: 18" (457 mm)
- Bowl area (Only): Length: 12" (305 mm)
Width: 9-1/2" (241 mm)
Bowl depth: 7" (178 mm)
Water depth: 7" (178 mm)
- Drain hole: 3-5/8" (92 mm)
- Template: 1315841-7, required, included

Notes

- Install this product according to the installation instructions.
- Measure your actual product for roughing-in details.