

Features

- Frameless.
- 1/4" (6 mm) thick tempered glass.

Technology

- CleanCoat® nanotechnology provides a smooth, nonstick surface to help prevent buildup of water stains, bacteria and mildew on your glass, to make it easy to clean and keep it looking like new.
- Inside and outside towel bars complete the look of this door.
- Out-of-plumb adjustability.
- Tempered glass ensures maximum safety and durability.
- Anodized aluminum prevents rusting and corrosion.
- Fits the STERLING® Advantage™ 60" shower only, Series 6204.

Installation

- Not for use in hospitality.
- For residential use only.

Recommended Products/Accessories

K-23723 Faucet cleaner

Included Components

Additional Components:
Hardware kit



Codes/Standards

ANSI Z97.1
CPSC 16CFR 1201

STERLING® Warranty - Bath and Shower Doors

See website for detailed warranty information.

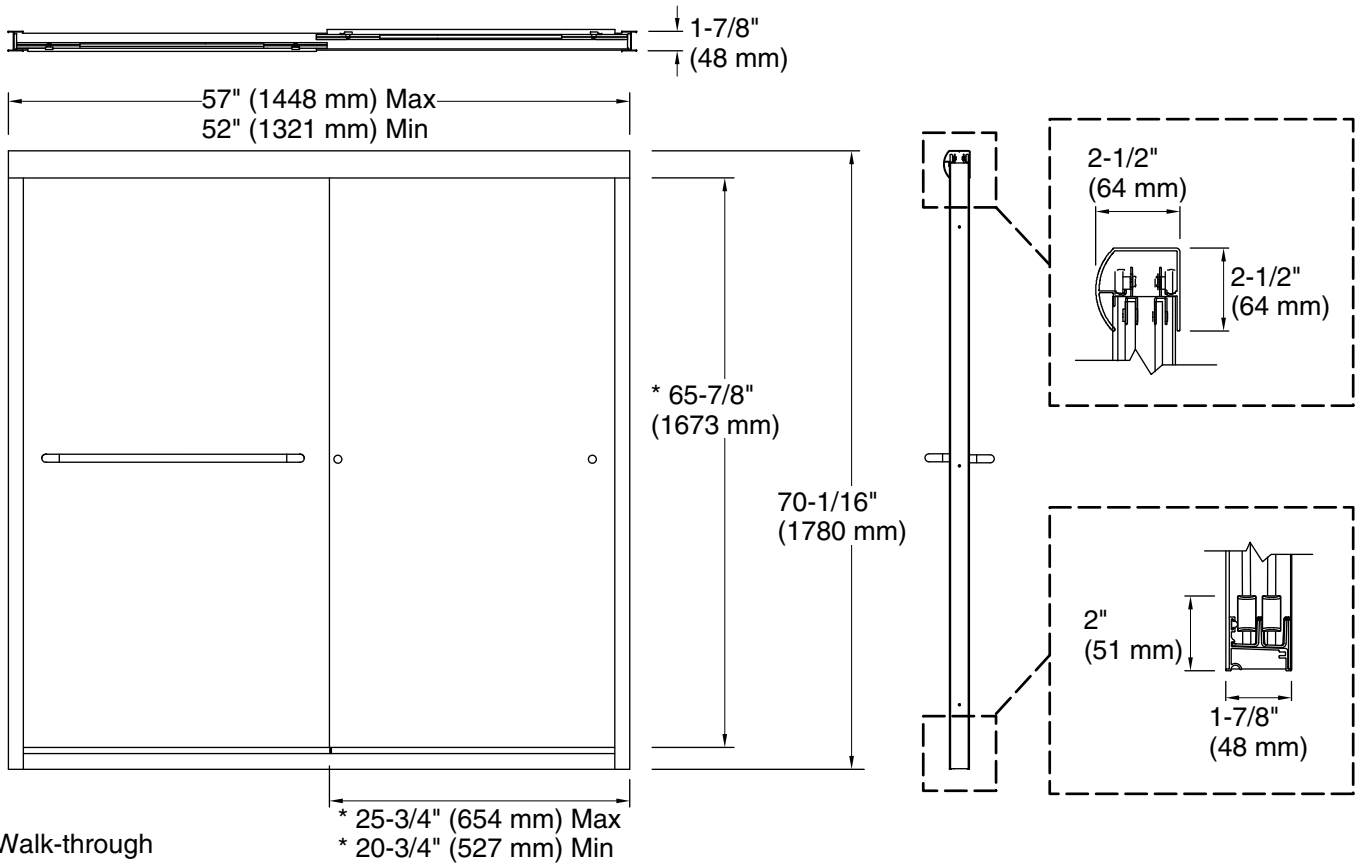
Available Colors/Finishes

Color tiles intended for reference only.

Color	Code	Description
	DR	Deep Bronze
	N	Nickel
	S	Silver

Available Glass Options

Code	Description
	Clear



Technical Information

All product dimensions are nominal.

Installation type: For shower base installation

Opening Width - Min: 51-11/16" (1313 mm)

Opening Width - Max: 56-11/16" (1440 mm)

Walk-through - Min: 20-11/16" (525 mm)

Walk-through - Max: 25-11/16" (652 mm)

Base-To-Wall Radius 1/2" (13 mm)

– Max:

Glass thickness: 1/4" (6 mm)

Glass coating: CleanCoat®

Notes

Install this product according to the installation guide.

The vertical opening should be a minimum of 72-1/16" (1830 mm) to allow for installation clearance.