



Meritor™ All-In-One

Top-mount/undermount double-equal kitchen sink kit

R28197-1PC

Features

- 36" (914 mm) minimum base cabinet width.
- Double-equal bowls.
- 9" (229 mm) depth provides generous workspace.
- Rounded corners are easy to clean.
- Angled edge allows for easy sweeping of food or water from countertop to bowl.
- Sink strainers keep large items from passing into the drain.
- SilentShield® sound-absorption technology offers quieter performance.
- Single faucet hole.
- Two-function pull-down sprayhead allows you to switch from aerated stream to powerful ring spray.
- ProMotion® technology's light, quiet braided hose and swiveling ball joint make the pull-down sprayhead easier and more comfortable to use.
- MasterClean™ sprayface features an easy-to-clean surface that withstands mineral buildup.
- High-arch spout offers vertical clearance for tall cookware and pitchers.
- Temperature memory allows faucet to be turned on and off at the temperature set during prior usage.
- Single lever handle makes adjusting water temperature easy with one hand.
- 1.5 gpm (5.7 lpm) maximum flow rate at 60 psi (4.14 bar).
- Box includes: Sink, assembled Vibrant Stainless pull-down faucet, two strainers, installation hardware.
- Optional K-6401 sink rack (sold separately).

Material

- Sink constructed from premium 18-gauge stainless steel.
- Premium metal faucet construction for durability and reliability.
- STERLING finishes resist corrosion and tarnishing.

Installation

- Top-mount or undermount.

Recommended Products/Accessories

K-23729 Stainless steel cleaner

Optional Products/Accessories

K-8801 Sink drain and strainer with tailpiece

K-8799 Sink drain and strainer basket

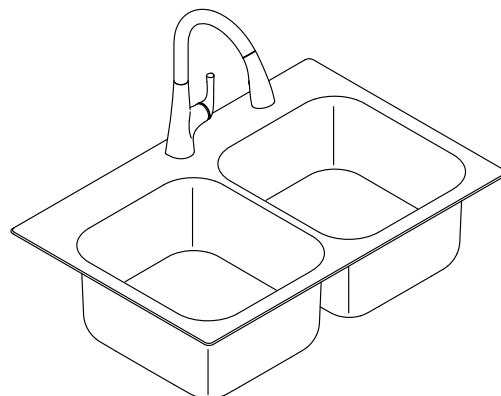
K-11352 Disposal Flange with Stopper

Included Components

Additional Components:

7400 (Qty 2)

Pull-down Faucet



Codes/Standards

ASME A112.18.1/CSA B125.1

ASME A112.19.3/CSA B45.4

NSF/ANSI 61

NSF/ANSI 372

All applicable US Federal and State material regulations

DOE - Energy Policy Act 1992

California Energy Commission (CEC)

STERLING® One-Year Limited Warranty

See website for detailed warranty information.

1-800-STERLING (1-800-783-7546)

Kohler Co. reserves the right to make revisions without notice to product specifications.

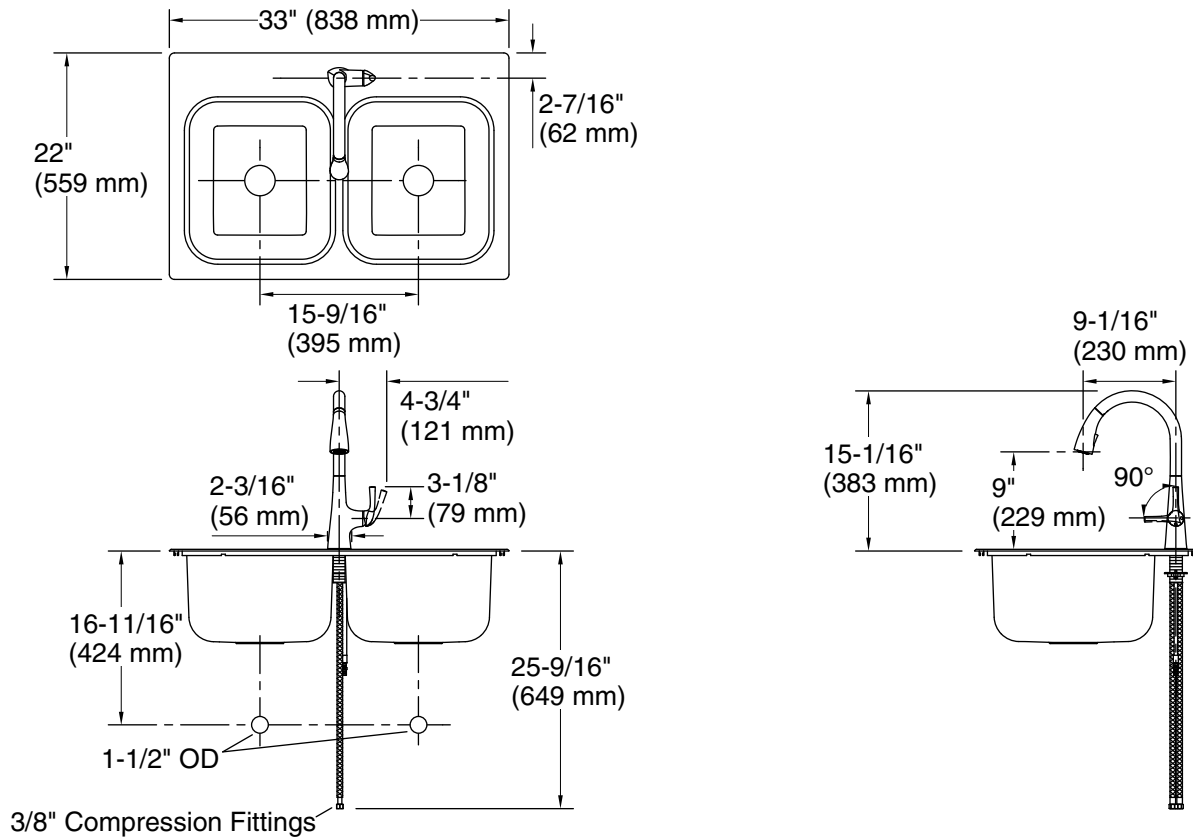
For the most current Specification Sheet, go to www.sterlingplumbing.com.

1-19-2022 04:41 - US



Meritor™ All-In-One

Top-mount/undermount double-equal kitchen sink kit
R28197-1PC



Technical Information

All product dimensions are nominal.

- Bowl configuration: Double equal
- Installation: Top-mount, Undermount
- Min. base cabinet width: 36" (914 mm)
- Bowl area (Left): Length: 14-1/8" (359 mm)
Width: 15-3/4" (400 mm)
Bowl depth: 9" (229 mm)
- Bowl area (Right): Length: 14-1/8" (359 mm)
Width: 15-3/4" (400 mm)
Bowl depth: 9" (229 mm)
- Number of deck holes: 1
- Faucet hole(s): 1-7/16" (37 mm)
- Drain hole: 3-3/4" (94 mm)
- Template: Top-mount/Undermount, 1476435-7, required, included

Notes

Install this product according to the installation instructions.