



# Springdale®

## Under-Mount Kitchen Sink

### J11448

#### Features

- 8"-deep single bowl.
- 3-3/4" rear drain opening.
- Stainless steel with luster finish.
- SilentShield® sound-absorption technology offers quieter performance.

#### Material

- Premium 18-gauge stainless steel.

#### Installation

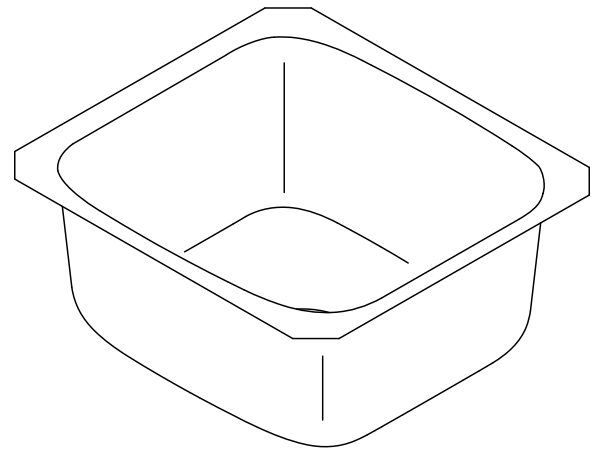
- Undermount.
- No faucet holes; requires wall-or counter-mount faucet.

#### Recommended Products/Accessories

7400 Sink Strainer  
11862 Sink Rack  
K-23726 Drain treatment  
K-23729 Stainless steel cleaner

#### Included Components

Product consists of:  
91915 Hardware Kit

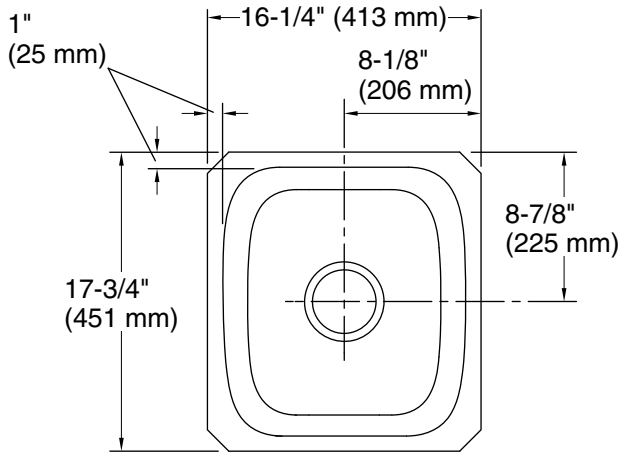


#### Codes/Standards

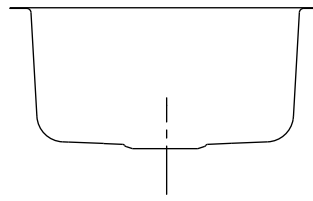
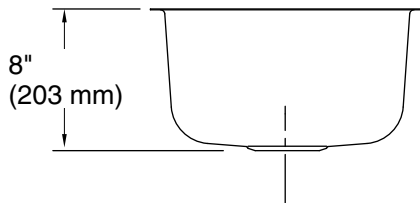
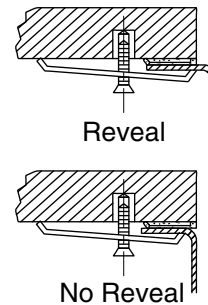
ASME A112.19.3/CSA B45.4

#### STERLING® Warranty - Stainless Steel Sinks

See website for detailed warranty information.



Mounting bracket assembly provides a secure installation.



### Technical Information

All product dimensions are nominal.

Bowl configuration: Single

Installation: Under-mount

Min. base cabinet width: 21" (533 mm)

Bowl area (Only): Length: 16-1/4" (413 mm)  
Width: 17-3/4" (451 mm)  
Bowl depth: 8" (203 mm)  
Water depth: 8" (203 mm)

Drain hole: 3-3/4" (95 mm)

Template: 1315843-7, required, included

### Notes

Install this product according to the installation instructions.

Use the supplied cut-out template to select either a hidden or exposed rim.