



# Middleton®

## Top-mount Kitchen Sink

### F14711-4

#### Features

- Top-mount.
- Three faucet holes.
- 8"-deep single bowl.
- 3-5/8" drain opening.
- Stainless steel with durable satin finish.
- SilentShield® sound-absorption technology offers quieter performance.

#### Material

- Premium 20-gauge stainless steel.

#### Recommended Products/Accessories

- 7400 Sink Strainer
- K-23726 Drain treatment
- K-23729 Stainless steel cleaner

#### Included Components

- Product consists of:
- 1150001 Installation Clips

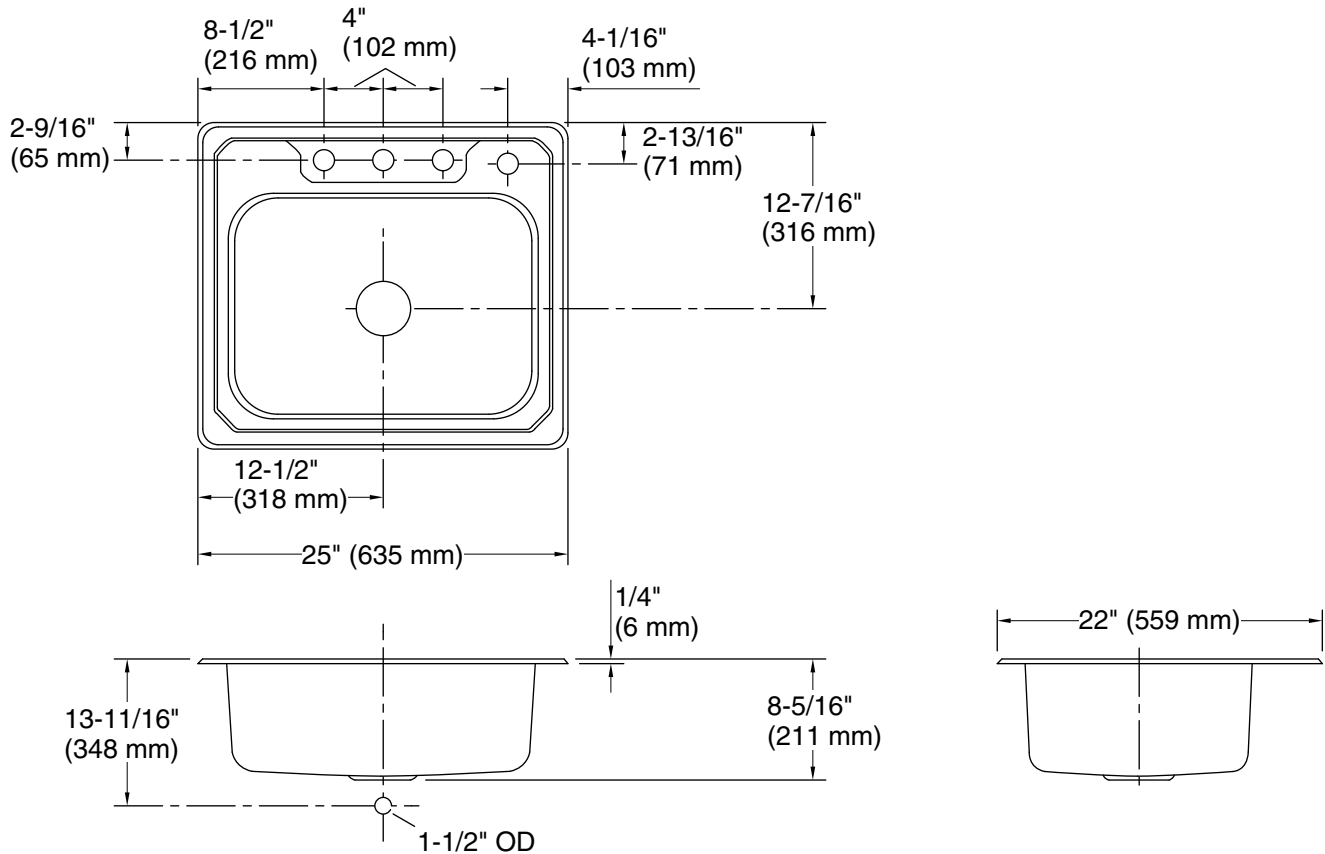


#### Codes/Standards

ASME A112.19.3/CSA B45.4

#### STERLING® Warranty - Stainless Steel Sinks

See website for detailed warranty information.



### Technical Information

All product dimensions are nominal.

|                       |  |
|-----------------------|--|
| Bowl configuration:   | Single   |
| Installation:         | Top-mount  |
| Cutout:               | Top-mount, 24-1/2" x 21-1/2" (622 mm x 546 mm) with 1/2" (13 mm) radius corners                        |
| Bowl area (Only):     | Length: 21" (533 mm)<br>Width: 15-1/4" (387 mm)<br>Bowl depth: 8" (203 mm)<br>Water depth: 8" (203 mm) |
| Number of deck holes: | 4  |
| Faucet hole spacing:  | 4" (102 mm)  |
| Faucet hole(s):       | 1-7/16" (37 mm)  |
| Drain hole:           | 3-5/8" (92 mm)   |

### Notes

Install this product according to the installation instructions.

Measure your actual product for roughing-in details.