



Top-mount single-basin bar sink **B155-2**

Features

- Top-mount.
- Two faucet holes.
- 5-1/2"-deep single bowl.
- 2" drain opening.
- Stainless steel with buffed basin finish and durable satin finish.
- SilentShield® sound-absorption technology offers quieter performance.

Material

- Premium 20-gauge stainless steel.

Recommended Products/Accessories

K-23726 Drain treatment

K-23729 Stainless steel cleaner

Optional Products/Accessories

7466 Stainless steel sink strainer

7400 Sink Strainer



ADA

Codes/Standards

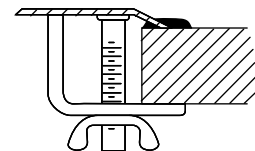
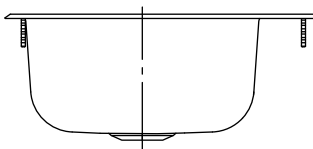
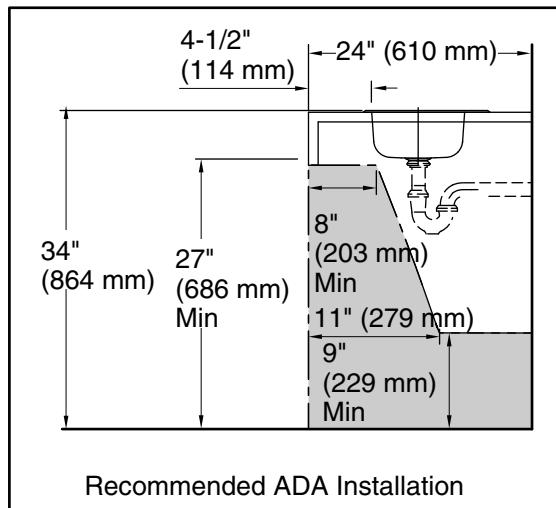
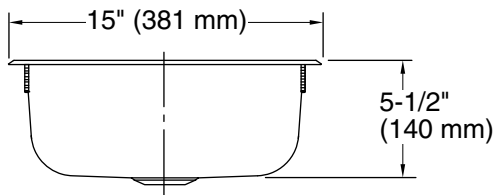
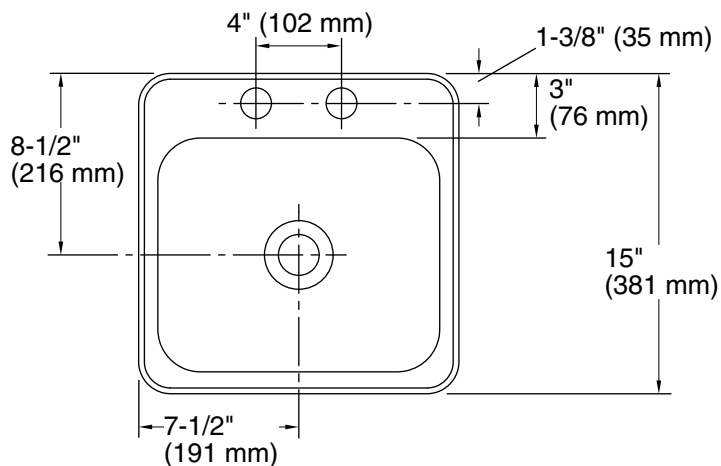
ASME A112.19.3/CSA B45.4

ADA

ICC/ANSI A117.1

STERLING® Warranty - Stainless Steel Sinks

See website for detailed warranty information.



Stud Mounting
Provides Easy
Installation

Technical Information

All product dimensions are nominal.

- Installation: Top-mount
- Bowl area (Only): Length: 13-1/4" (337 mm)
Width: 11" (279 mm)
Bowl depth: 5-9/16" (141 mm)
Water depth: 5-9/16" (141 mm)
- Number of deck holes: 2
- Faucet hole spacing: 4" (102 mm)
- Faucet hole(s): 1-7/16" (37 mm)
- Drain hole: 1-15/16" (49 mm)

Notes

Install this product according to the installation instructions.
ADA compliant when installed to the specific requirements of these regulations.