



Top-mount single-basin bar sink **B155-1**

Features

- One faucet hole.
- 5-1/2" depth.
- 2" drain opening.
- Stainless steel with luster bowl finish and a satin deck finish.

Material

- Premium 20-gauge stainless steel.

Installation

- Top-mount.

Recommended Products/Accessories

K-23726 Drain treatment

K-23729 Stainless steel cleaner

Optional Products/Accessories

7466 Stainless steel sink strainer



ADA

Codes/Standards

ASME A112.19.3/CSA B45.4

ADA

ICC/ANSI A117.1

STERLING® Stainless Steel Sinks Lifetime Limited Warranty

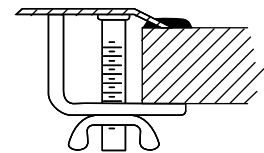
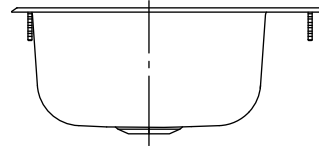
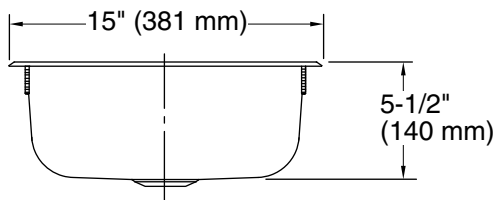
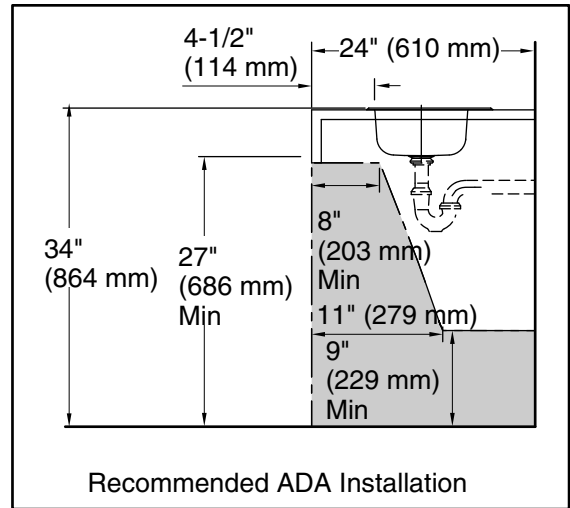
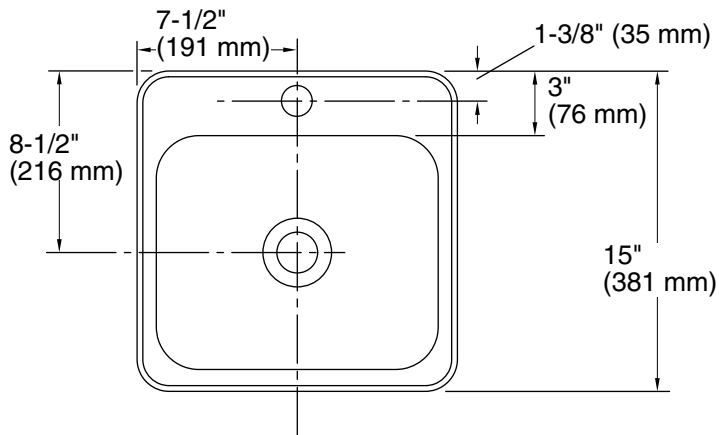
See website for detailed warranty information.

1-800-STERLING (1-800-783-7546)

Kohler Co. reserves the right to make revisions without notice to product specifications.

For the most current Specification Sheet, go to www.sterlingplumbing.com.

7-16-2021 04:23 - US/CA



Stud Mounting Provides Easy Installation

Technical Information

All product dimensions are nominal.

- Bowl configuration: Single
- Installation: Top-mount
- Bowl area (Only): Length: 13-1/4" (337 mm)
Width: 11" (279 mm)
Bowl depth: 5-9/16" (141 mm)
Water depth: 5-9/16" (141 mm)
- Number of deck holes: 1
- Faucet hole(s): 1-7/16" (37 mm)
- Drain hole: 1-15/16" (49 mm)

Notes

Install this product according to the installation instructions.
ADA compliant when installed to the specific requirements of these regulations.