



Top-mount single-basin bar sink **B153-2**

Features

- Top-mount.
- Two faucet holes.
- 5-1/2"-deep single bowl.
- 3-5/8" drain opening.
- Stainless steel with luster finish.
- SilentShield® sound-absorption technology offers quieter performance.

Material

- Premium 20-gauge stainless steel.

Recommended Products/Accessories

K-23726 Drain treatment

K-23729 Stainless steel cleaner

Optional Products/Accessories

7400 Sink Strainer



Codes/Standards

ASME A112.19.3/CSA B45.4

ICC/ANSI A117.1

STERLING® Warranty - Stainless Steel Sinks

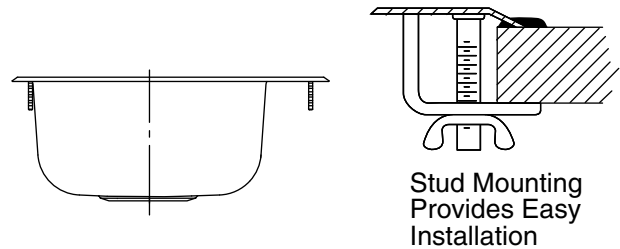
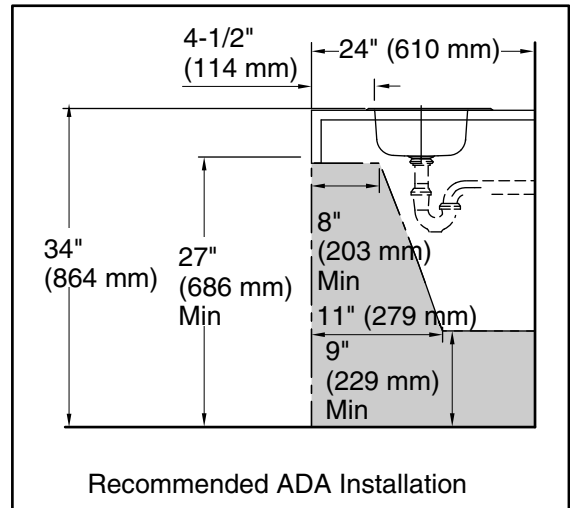
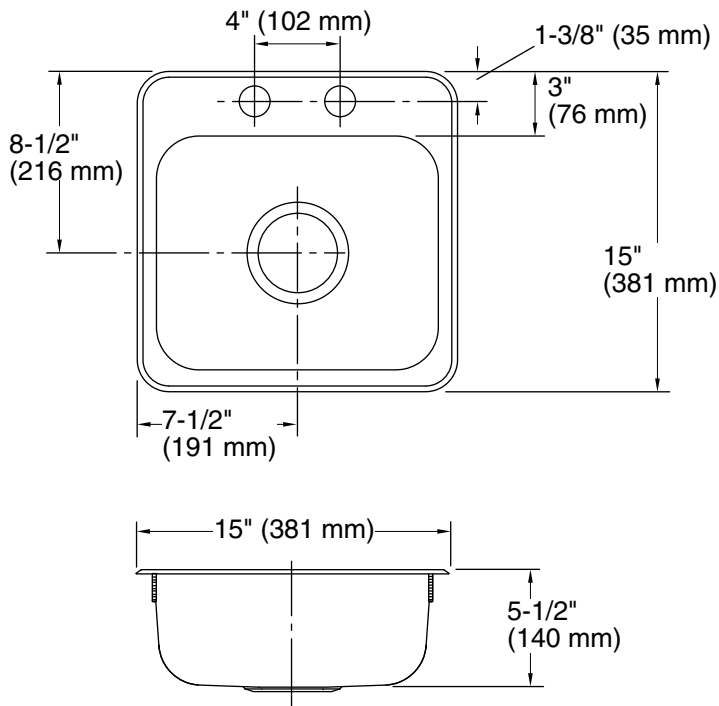
See website for detailed warranty information.

1-800-STERLING (1-800-783-7546)

Kohler Co. reserves the right to make revisions without notice to product specifications.

For the most current Specification Sheet, go to www.sterlingplumbing.com.

3-6-2020 07:05 - US/CA/MX



Technical Information

All product dimensions are nominal.

- Installation: Top-mount
- Bowl area (Only):
 - Length: 13-1/4" (337 mm)
 - Width: 11" (279 mm)
 - Bowl depth: 5-9/16" (141 mm)
 - Water depth: 5-9/16" (141 mm)
- Number of deck holes: 2
- Faucet hole spacing: 4" (102 mm)
- Faucet hole(s): 1-7/16" (37 mm)
- Drain hole: 3-3/4" (94 mm)

Notes

Install this product according to the installation instructions.