



## Top-mount single-basin bar sink **B153-1**

### Features

- Top-mount.
- One faucet hole.
- 5-1/2"-deep single bowl.
- 3-5/8" drain opening.
- Stainless steel with luster finish.
- SilentShield® sound-absorption technology offers quieter performance.

### Material

- Premium 20-gauge stainless steel.

### Recommended Products/Accessories

K-23726 Drain treatment

K-23729 Stainless steel cleaner

### Optional Products/Accessories

7400 Sink Strainer



**ADA**

### Codes/Standards

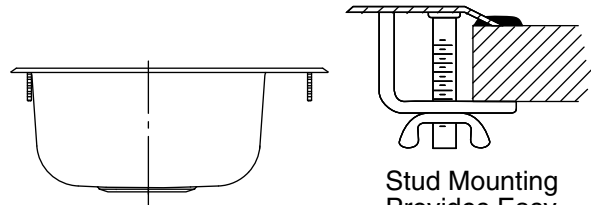
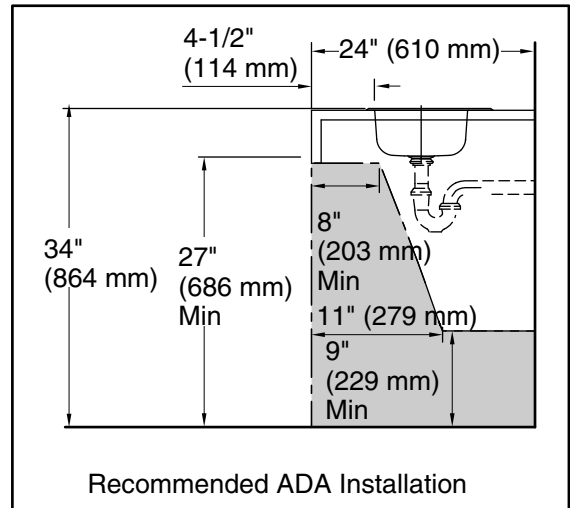
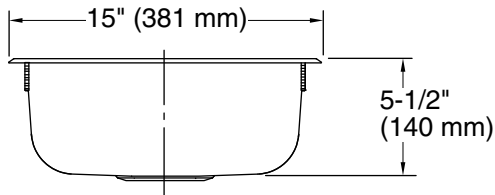
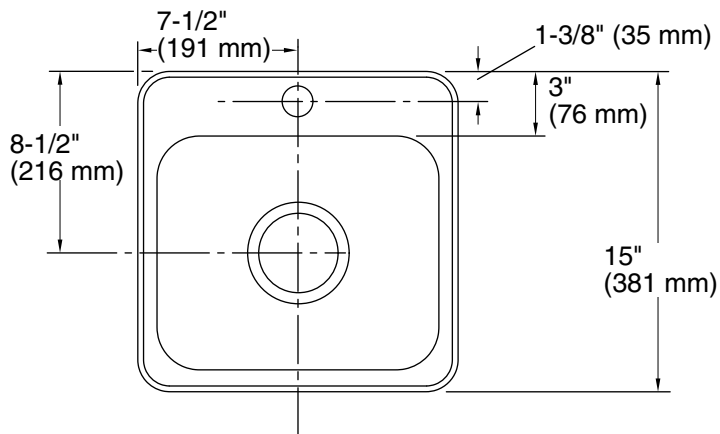
ASME A112.19.3/CSA B45.4

ADA

ICC/ANSI A117.1

### **STERLING® Warranty - Stainless Steel Sinks**

See website for detailed warranty information.



Stud Mounting  
Provides Easy  
Installation

**Technical Information**

All product dimensions are nominal.

- Installation: Top-mount
- Bowl area (Only): Length: 13-1/4" (337 mm)  
Width: 11" (279 mm)  
Bowl depth: 5-9/16" (141 mm)  
Water depth: 5-9/16" (141 mm)
- Number of deck holes: 1
- Faucet hole(s): 1-7/16" (37 mm)
- Drain hole: 3-3/4" (94 mm)

**Notes**

- Install this product according to the installation instructions.
- ADA compliant when installed to the specific requirements of these regulations.