



STRONG. PROFESSIONAL. DESIGN.™
SPECIFICATIONS

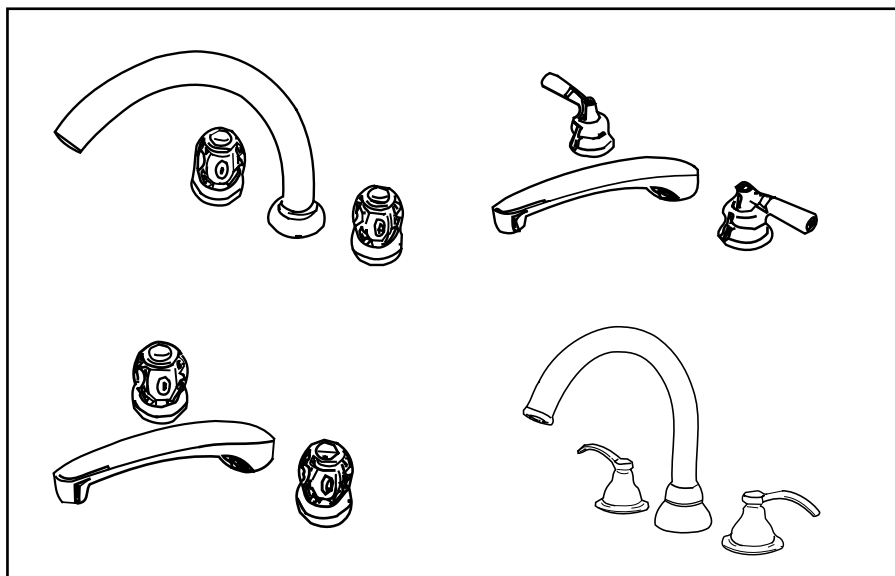
Bath Classics™
FastFil™ Roman Tub Fillers
Models 13423, 13423G,
13623, 13623G

Standard Features

- Maximum operating input water pressure80 psi
- Maximum pressure125 psi
- Maximum flow rate 21.5 gpm at 60 psi (see chart)
- Supply connectors1/2" Copper IPS
- Valve Type Brass Compression

Standards and Ratings

- ASME A112.18.1M American Society of Mechanical Engineers Standard: "Plumbing Fixtures Fittings"
- ANSI 117.1 American National Standards Institute: "American National Standards Specifications for making buildings and facilities accessible to and usable by physically handicapped people."
(Arc/Lever Handles Only)
- ADA "Americans with Disabilities Act" - Non-discrimination on basis of disability by Public Accommodations and in Commercial facilities; Final Rule dated 7/26/91 28 CFR Part 36
(Arc/Lever Handles Only)



Features

Chrome plated or polished brass finish

Choice of styles

Compression valving

Benefits

Durable and easy to clean

Easy operation and unique style coordinates with traditional or contemporary decor

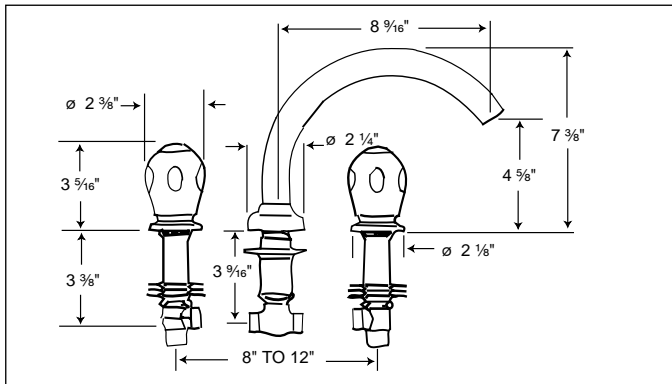
High tub fill rate and durable construction

Optional Features

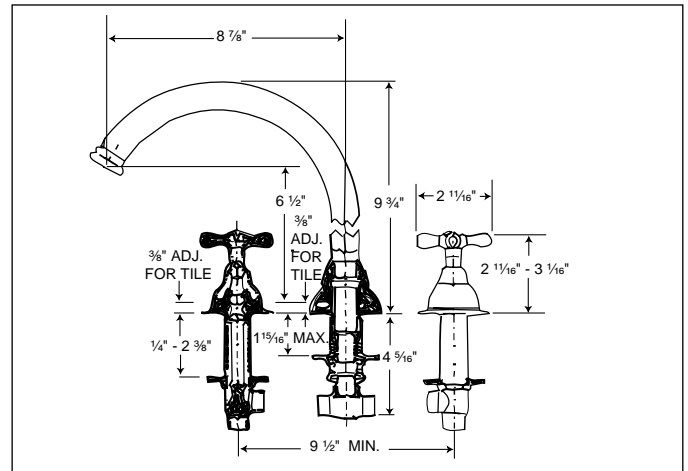
- | | | |
|--|---|---|
| <input type="checkbox"/> Acrylic Handles | <input type="checkbox"/> Chrome | <input type="checkbox"/> Cast Spout |
| <input type="checkbox"/> Wood Lever Handles | <input type="checkbox"/> Polished Brass | <input type="checkbox"/> High Arc Spout |
| <input type="checkbox"/> Porcelain Lever Handles | | <input type="checkbox"/> Tubular Spout |
| <input type="checkbox"/> Cross Handles | | |
| <input type="checkbox"/> Arc Handles | | |

Bath Classics™
FastFil™ Roman Tub Fillers
 Models 13423, 13423G, 13623, 13623G

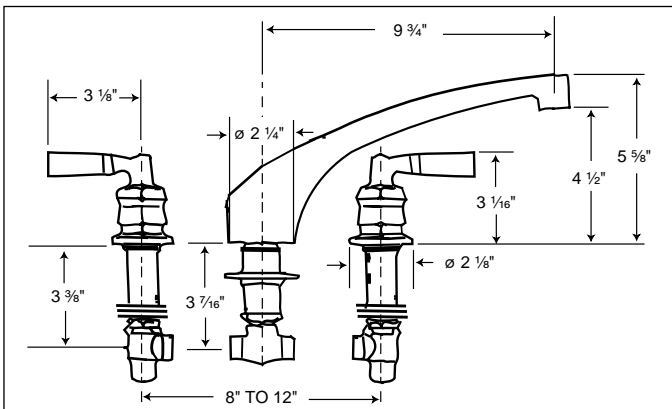
D I M E N S I O N S



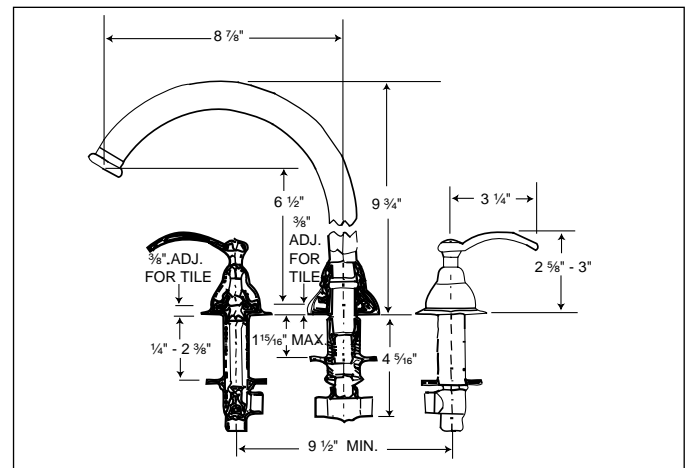
Roman Tub Filler with High Arc Spout and Acrylic Handles



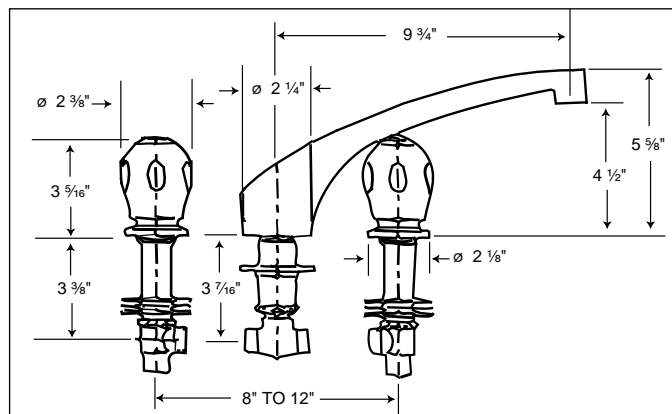
Roman Tub Filler with High Arc Spout and Cross Handles



Roman Tub Filler with Traditional Spout and Lever Handles

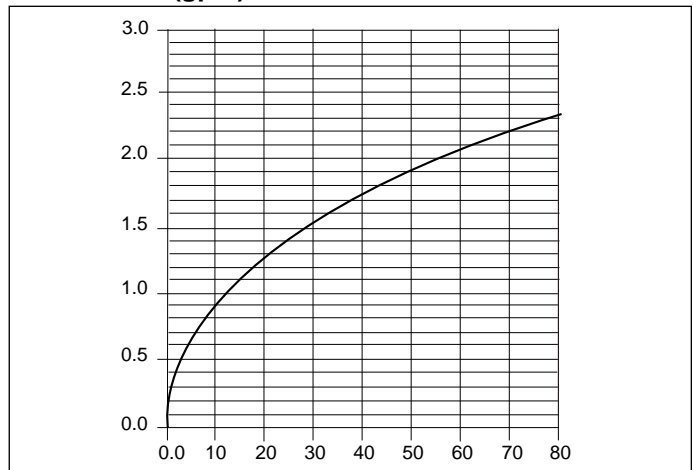


Roman Tub Filler with High Arc Spout and Arc Handles



Roman Tub Filler with Cast Spout and Acrylic Handles

FLOWRATE (gpm)



LINE PRESSURE P.S.I. GAUGE



STRONG. PROFESSIONAL. DESIGN.™

© 2001 Sterling Plumbing, 444 Highland Drive, Kohler, WI 53044 1-888-STERLING

www.sterlingplumbing.com

Fixture dimensions are nominal and conform to tolerances established by ANSI Standards, Z124.1.

★ Made in U.S.A.

Printed in U.S.A.