



Unwind™

67" x 30" seamless rectangle bath
96136

Features

- Freestanding design creates a striking focal point in your bathing area.
- Rectangle-shaped basin with crisp, sharp edges allows for corner, back-to-wall or traditional freestanding applications.
- Center toe-tap drain.
- Sloped lumbar support on both ends.
- Built-in integral overflow.
- 4.5" drain-to-floor clearance for above-floor drain installation.

Material

- Acrylic.

Installation

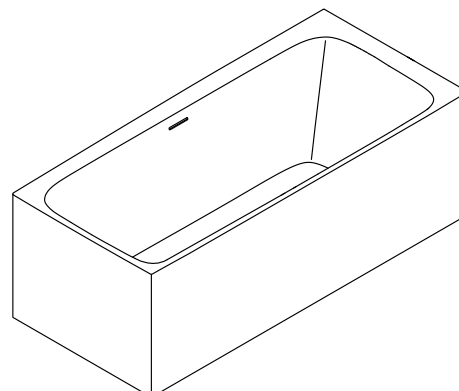
- Freestanding.
- Above-floor drain (AFD) rough-in.
- Concealed adjustable legs make leveling during installation easy.

Included Components

Additional Components:

1392236-0

1392236-0 White Drain Assembly



Codes/Standards

CSA B45.5/IAPMO Z124

ASTM E162

ASTM E662


Warranty – Bathing Fixtures (and) Kitchen and Utility Sinks Made of Solid Vikrell® Material

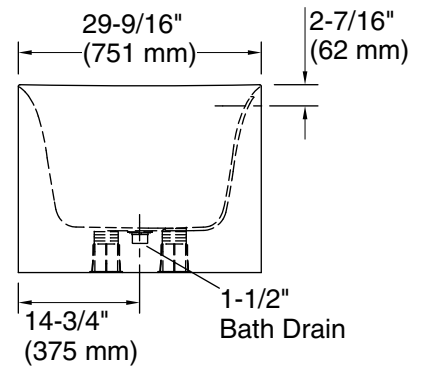
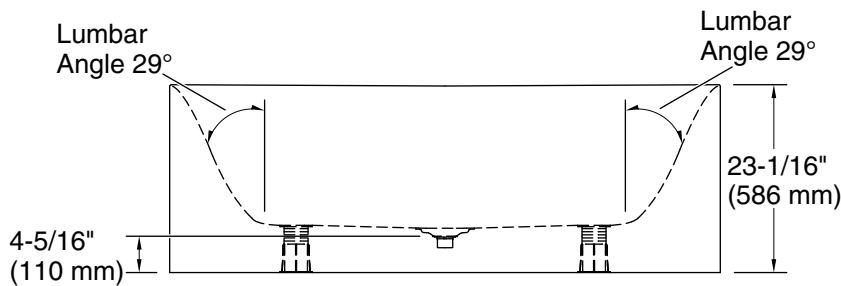
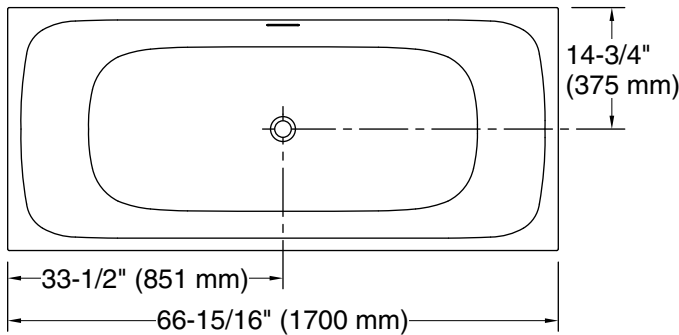
See website for detailed warranty information.

Available Colors/Finishes

Color tiles intended for reference only.

Color	Code	Description
-------	------	-------------

	0	White
--	---	-------



Technical Information

All product dimensions are nominal.

- Installation: Freestanding
- Basin area, bottom: 47-1/4" x 19-15/16" (1200 mm x 506 mm)
- Basin area, top: 63-11/16" x 26-5/8" (1618 mm x 676 mm)
- Water depth: 14-5/8" (371 mm)
- Water capacity: 70 gal (265 L)

Notes

- Install this product according to the installation instructions.
- Measure your actual product for roughing-in details.
- The hot water supply should be 70% of the capacity of the bath or greater. Installations will vary.
- Do not support the load weight of the bath by the rim.