



Spectacle™

65-1/2" x 36-1/4" freestanding bath
95338

Features

- Freestanding design creates a striking focal point in your bathing area
- Fluted basin offers a spacious bathing experience
- 16" (406 mm) depth offers a deep soaking experience
- Integral lumbar support on both ends
- Extra-wide deck simplifies installation of faucet and overflow.
- 4" drain-to-floor clearance for above-floor drain installation
- Textured bottom surface

Material

- Acrylic

Installation

- Rear center drain



Codes/Standards

CSA B45.5/IAPMO Z124
 ASTM E162
 ASTM E662
 IAPMO Certification

STERLING® Vikrell® or Acrylic Baths and Shower Bases Ten-Year Limited Warranty

See website for detailed warranty information.

Available Colors/Finishes

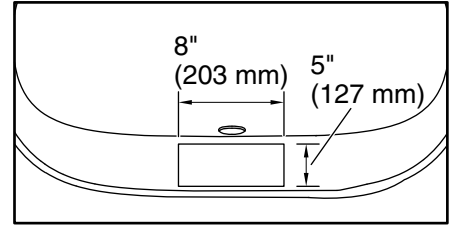
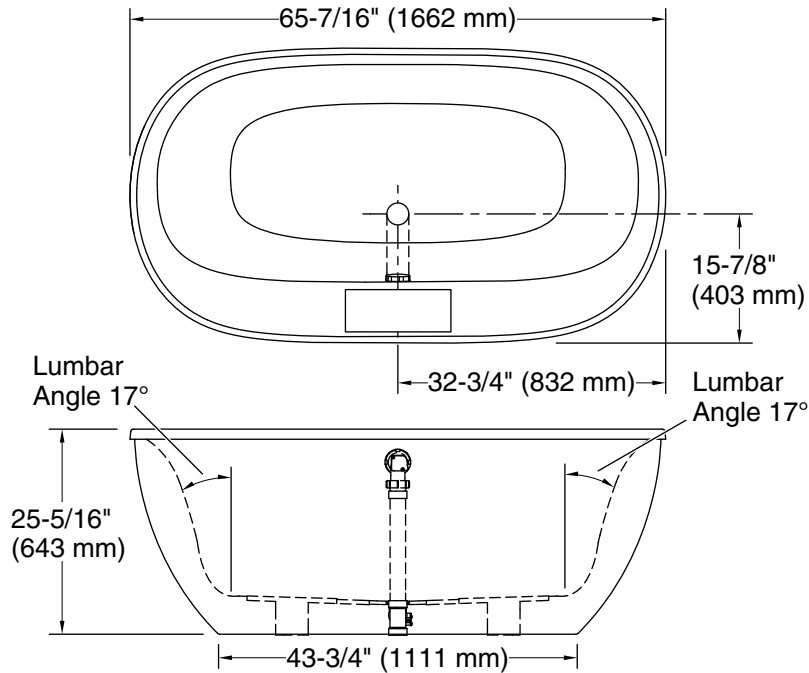
Color tiles intended for reference only.

Color	Code	Description
-------	------	-------------

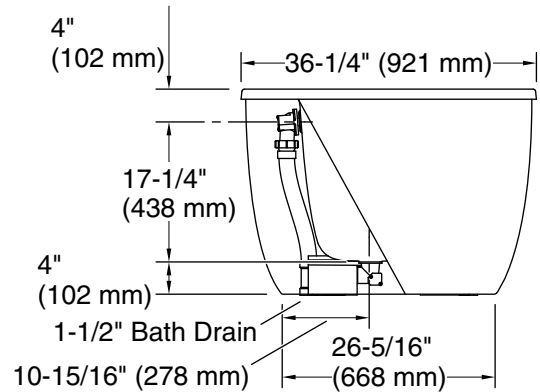
	0	White
---	---	-------

No change in measurements if connected with KOHLER drain illustrated. (K-7213)

□ Recommended Faucet Location



Recommended Faucet Hole Location



Technical Information

All product dimensions are nominal.

- Drain location: Center
- Basin area, bottom: 45-11/16" x 22-5/16" (1161 mm x 567 mm)
- Basin area, top: 59-1/16" x 27-5/16" (1501 mm x 693 mm)
- Water depth: 15-9/16" (395 mm)
- Water capacity: 63.61 gal (240.8 L)

Notes

Install this product according to the installation instructions.

Measure your actual product for roughing-in details.

The hot water supply should be 70% of the capacity of the bath or greater. Installations will vary.

This bath is designed for freestanding installation only.

If installing a rim-mount faucet, make sure there is no interference above or below the deck before drilling any holes.