

**Features**

- Freestanding design creates a striking focal point in your bathing area.
- Oval-shaped basin offers a graceful and spacious bathing experience.
- Center offset toe-tap drain.
- 17-1/4" generous bathing depth offers a deep soaking experience.
- Sloped lumbar support on both ends.
- Wide ledge on one side is ideal for deck-mount faucet and/or handshower.
- Bottom surface manufactured with textured appearance.
- Built-in integral overflow.

**Material**

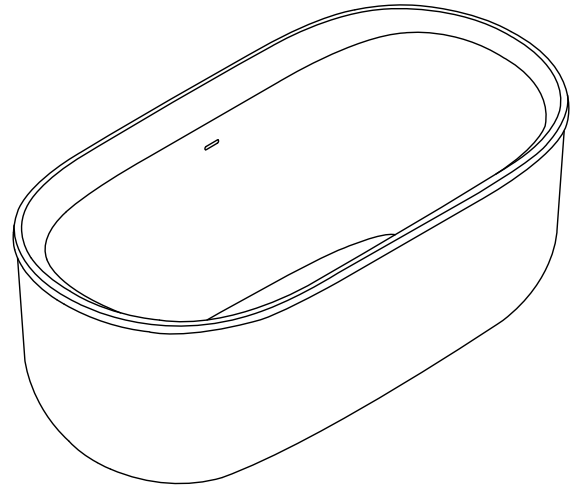
- Acrylic.

**Recommended Products/Accessories**

- K-23726 Drain treatment
- K-23733 Vikrell® cleaner

**Included Components**

- Additional Components:  
• Chrome drain



**Codes/Standards**


- CSA B45.5/IAPMO Z124
- ASTM E162
- ASTM E662

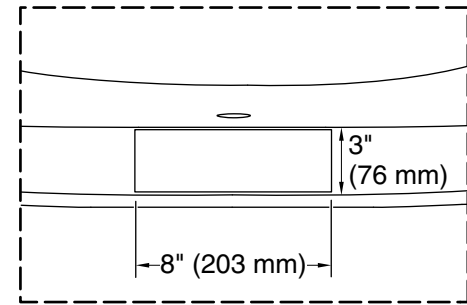
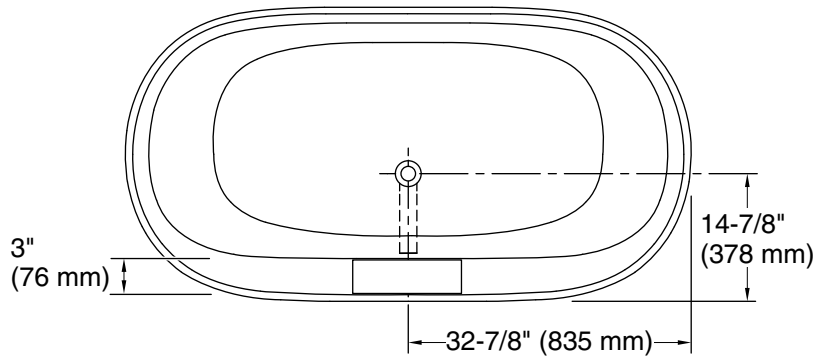
**Warranty – Bathing Fixtures (and) Kitchen and Utility Sinks Made of Solid Vikrell® Material**

See website for detailed warranty information.

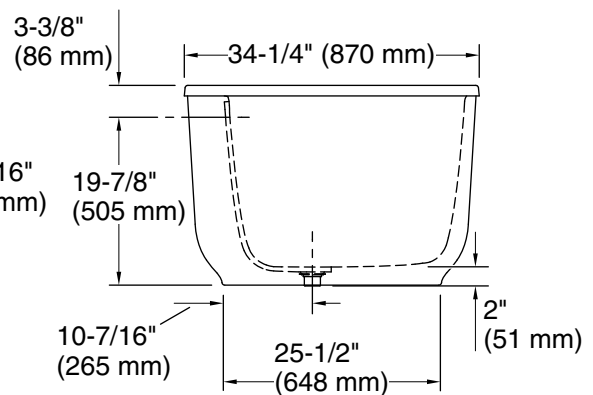
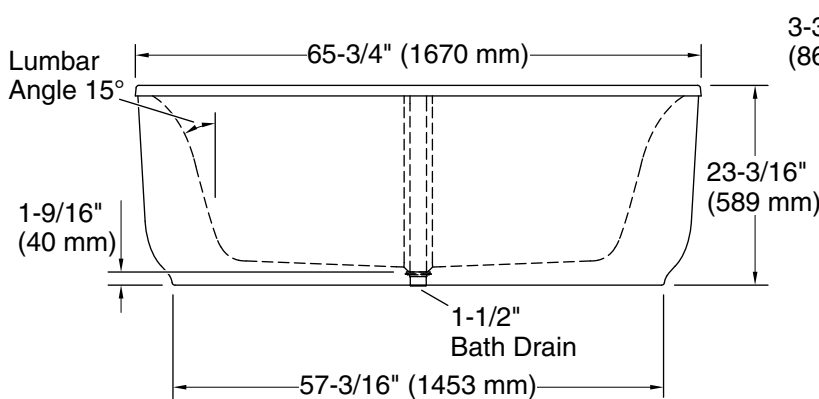
**Available Colors/Finishes**

*Color tiles intended for reference only.*

Color	Code	Description
	0	White



Recommended Faucet Area Location



**Technical Information**

All product dimensions are nominal.

- Installation: Freestanding
- Drain location: Center
- Basin area, bottom: 45-1/4" x 22-1/2" (1149 mm x 571 mm)
- Basin area, top: 59" x 26-3/4" (1499 mm x 679 mm)
- Weight: 115 lbs (52.2 kg)
- Water depth: 17-1/4" (438 mm)
- Water capacity: 79 gal (299 L)

**Notes**

- Install this product according to the installation instructions.
- Measure your actual product for rough-in details. The hot water supply should be 70% of the capacity of the bath or greater. Installations will vary.
- This bath is designed for freestanding installation only.
- If installing a rim-mount faucet, make sure there is no interference above or below the deck before drilling any holes.