



22" curved grab bar
80012222

Features

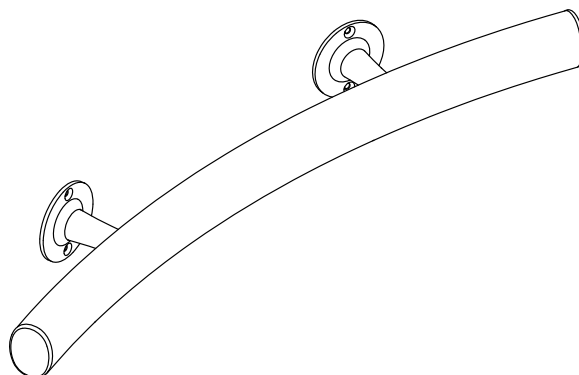
- Installs from front of wall.
- Adjustable mounting brackets to fit specific installation requirements.
- Anodized aluminum.
- Elliptical shape makes the bar easier to grip .
- Back wall grab bar matches the curve of Accord family products for a clean, stylish design line.
- Available in finishes to coordinate with nickel and silver shower door finishes.

Recommended Products/Accessories

K-23723 Faucet cleaner

Included Components

Additional Components:
Installation hardware



Codes/Standards

ASTM F446

STERLING® Warranty - Grab Bars

See website for detailed warranty information.

Available Colors/Finishes

Color tiles intended for reference only.

Color	Code	Description
-------	------	-------------

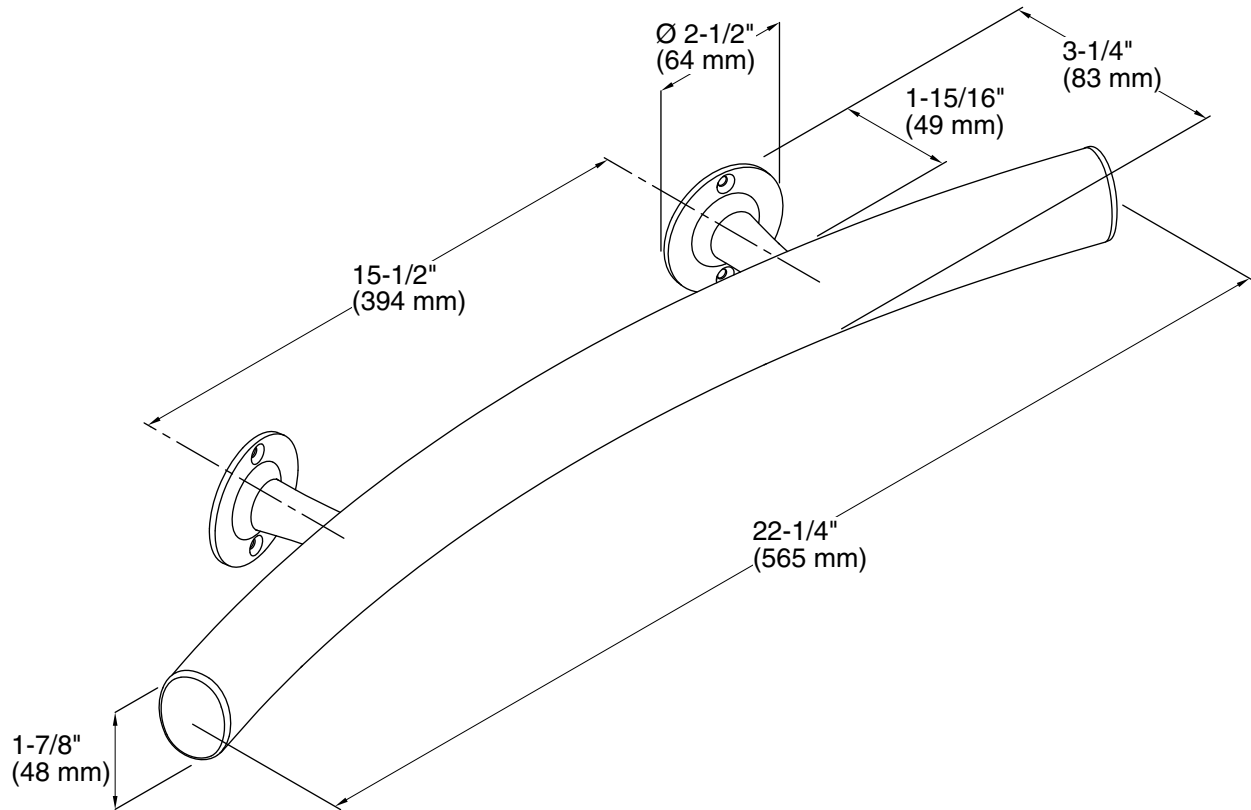
N		Nickel
V		Matte Silver

1-800-STERLING (1-800-783-7546)

Kohler Co. reserves the right to make revisions without notice to product specifications.

For the most current Specification Sheet, go to www.sterlingplumbing.com.

8-22-2020 15:42 - US/CA



Technical Information

All product dimensions are nominal.

Material: Anodized Aluminum

Notes

Install this product according to the installation guide.

WARNING: Risk of personal injury. Unless properly installed, the grab bar may not adequately support the weight of the user.

For use on Age-in-Place surrounds only. Obtain backer board locations from the specification sheet for your model.