



Sunfield™

20" x 24" lighted mirror
78901-20

Features

- Mirror with embedded LED lighting elevates your bathroom experience.
- Color rendering true to a daylight experience achieved through >90 CRI (color rendering index).
- Tested at 4000 Kelvin and 1360 lumens for a favorable light experience.
- Optimal lighting with energy efficiency at >45 lumens/watt.
- Compatible with wall-mount LED dimmers (not included), which allows you to control lighting from multiple locations in the space.
- LED life expectancy >50,000 hours.
- Ideal for an 18"–30" vanity, pedestal sink or small space solution.
- Two 20" mirrors are ideally paired with a double-basin 60" vanity.

Installation

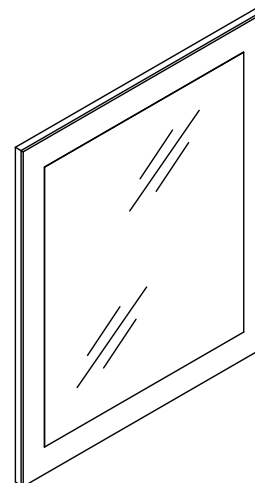
- French cleat mounting system for quick, secure installation.
- Power cord plug-in for easy electrical connection.
- Includes mounting hardware.

Recommended Products/Accessories

K-23723 Faucet cleaner

Included Components

Additional Components:
Mounting hardware

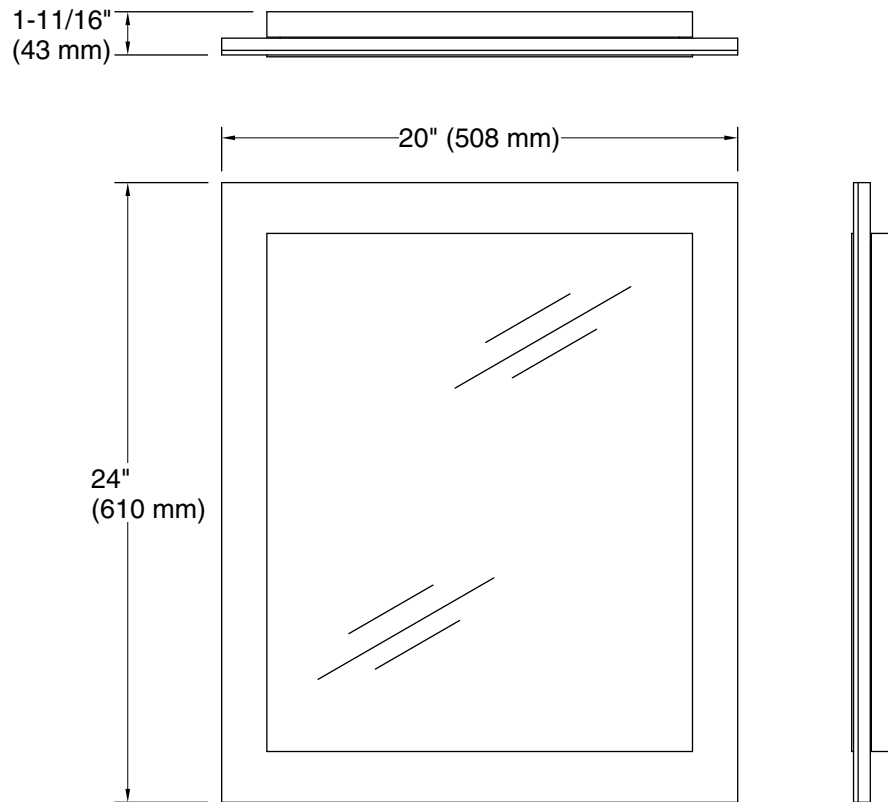


Codes/Standards

UL 962
CA Title 24 JA8

STERLING® One-Year Limited Warranty

See website for detailed warranty information.



Required Electrical Service

One circuit required, protected with Class A Ground-Fault Circuit-Interrupter (GFCI). Outside North America, this device may be known as a Residual Current Device (RCD).

Lights: 120 V, 0.5 A, 60 Hz

Technical Information

All product dimensions are nominal.

Mirror type: Wall-mount

Electrical component rating: Lights: 1.08 A, 60 Hz, 26 W

Notes

Install this product according to the installation instructions.

Connect this product only to a properly grounded outlet.

If there is not a wall stud to attach the mirror to, use anchors provided.