



**Features**

- 15-1/4" soaking depth.
- End drain can be installed as left- or right-hand drain.
- Suitable for tile down applications.
- Air Massage, three-speed blower, integrated heater, arched armrests, contoured backrest and lumbar support.

**Material**

- Made from solid Vikrell® material for strength, durability, and lasting beauty.

**Installation**

- Drop-in.

**Recommended Products/Accessories**

71317100 Tile-in flange kit for 72" soaking baths



**DISCONTINUED**

**Codes/Standards**

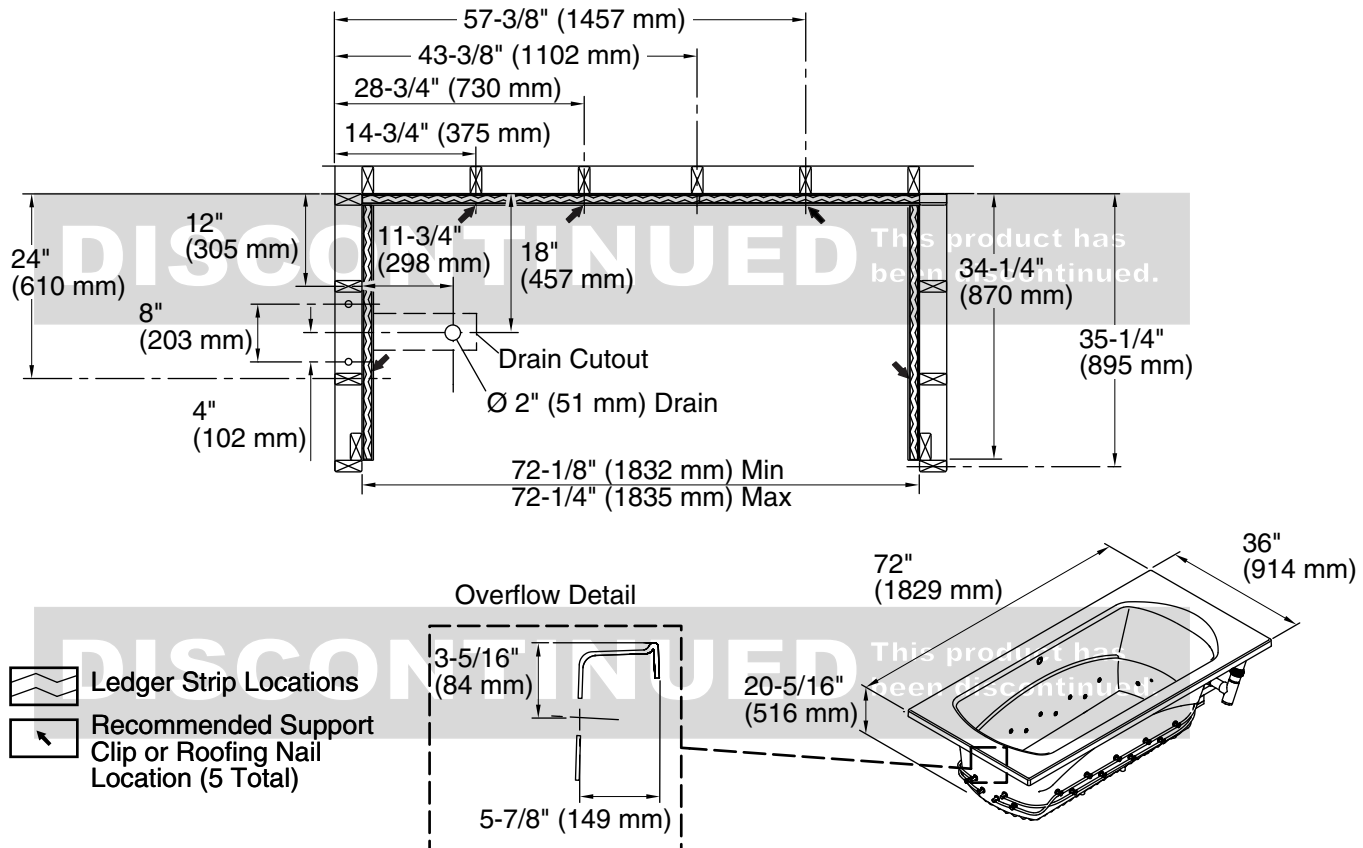
ASME A112.19.7/CSA B45.10  
CSA B45.5/IAPMO Z124  
ASTM E162  
ASTM E662  
UL 1795  
CSA C22.2 No. 218.2

**Warranty – Bathing Fixtures (and)  
Kitchen and Utility Sinks Made of Solid  
Vikrell® Material**

See website for detailed warranty information.

**DISCONTINUED**

This product has  
been discontinued.



### Required Electrical Service

One dedicated circuit required, protected with Class A Ground-Fault Circuit-Interrupter (GFCI). Outside North America, this device may be known as a Residual Current Device (RCD).

Blower, Heater: 120 V, 15 A, 60 Hz

### Technical Information

All product dimensions are nominal.

Installation:	Drop-in
Drain location:	End
Basin area, bottom:	50-3/8" x 21-3/4" (1280 mm x 552 mm)
Basin area, top:	58-1/4" x 27" (1480 mm x 686 mm)
Weight:	83 lbs (37.6 kg)
Minimum floor load:	41 lbs/ft <sup>2</sup> (200.2 kg/m <sup>2</sup> )
Water depth:	15-1/4" (387 mm)
Water capacity:	68 gal (257.4 L)
Electrical component rating:	Blower: 120 V, 9.2 A, 60 Hz Heater: 300 W
Minimum flat for door:	3" (76 mm)

### Notes

- Install this product according to the installation instructions.
- Provide one grounded electrical outlet within 24" (610 mm) of each component.
- Size the drain cutout to fit the drain assembly that will be used.
- Blower service access is required.
- End stud positioning is critical if nailing-in flanges are to be used.
- Studs should be positioned roughly as shown for support clip or roofing nail installation.