



**Features**

- Optional apron for three-wall alcove installation.
- 15-1/4" soaking depth.
- End drain can be installed as left- or right-hand drain.
- Suitable for tile down applications.
- Three speeds, heated air, 360-degree massaging coverage.

**Material**

- Made from solid Vikrell® material for strength, durability, and lasting beauty.

**Installation**

- Drop-in.

**Recommended Products/Accessories**

- 76268100 Bath apron w/ removable access panel
- 71287100 Tile-in flange kit for 60" soaking baths



**DISCONTINUED**

**Codes/Standards**

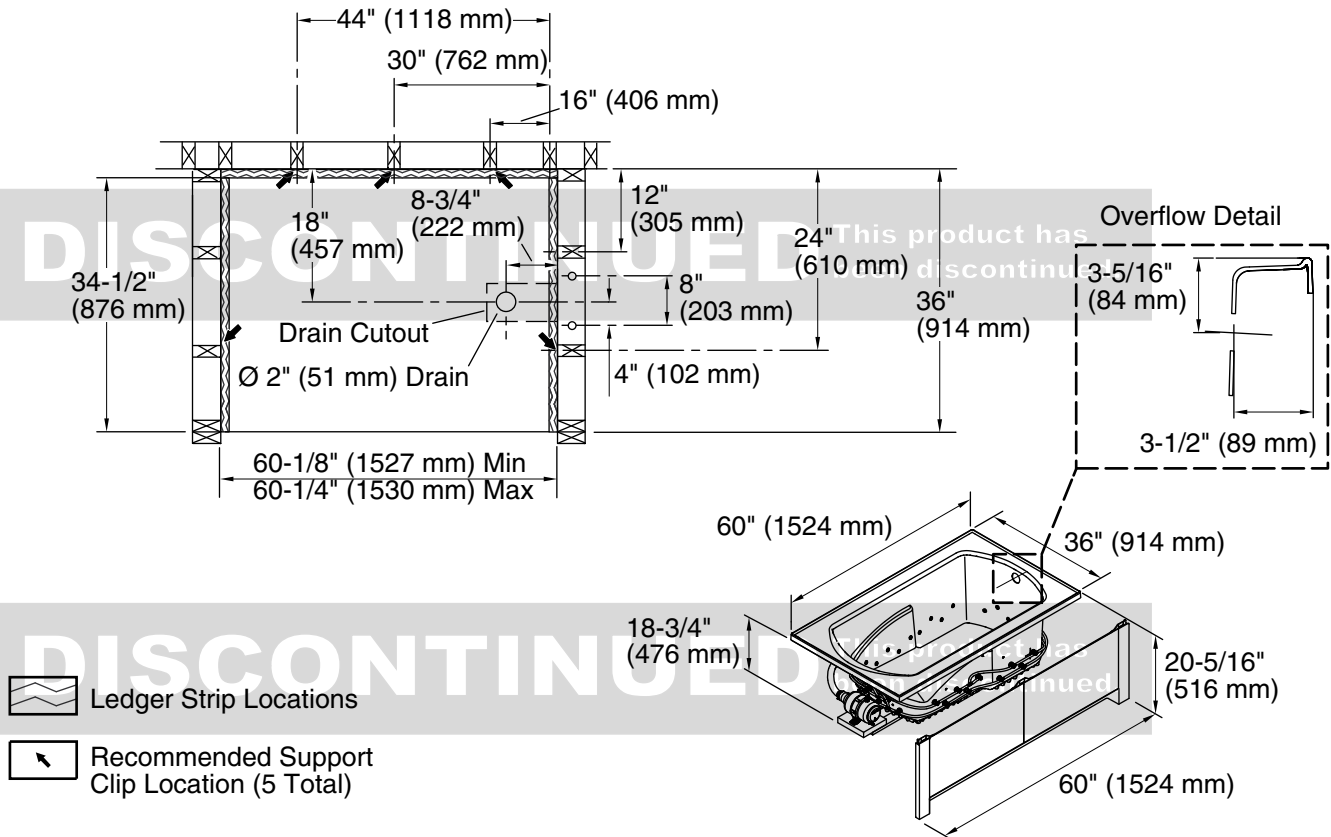
- ASME A112.19.7/CSA B45.10
- CSA B45.5/IAPMO Z124
- ASTM E162
- ASTM E662
- UL 1795
- CSA C22.2 No. 218.2

**Warranty – Bathing Fixtures (and Kitchen and Utility Sinks Made of Solid Vikrell® Material)**

See website for detailed warranty information.

**DISCONTINUED**

This product has been discontinued.



### Required Electrical Service

One dedicated circuit required, protected with Class A Ground-Fault Circuit-Interrupter (GFCI). Outside North America, this device may be known as a Residual Current Device (RCD).

Blower, Heater: 120 V, 15 A, 60 Hz

### Technical Information

All product dimensions are nominal.

Installation: Drop-in  
 Drain location: End  
 Basin area, bottom: 44" x 25-1/2" (1118 mm x 648 mm)  
 Basin area, top: 51" x 26-3/4" (1295 mm x 679 mm)  
 Water depth: 15-1/4" (387 mm)  
 Water capacity: 59 gal (223.3 L)  
 Electrical component rating: Blower: 120 V, 9.2 A, 60 Hz  
 Heater: 300 W  
 Minimum flat for door: 3" (76 mm)

### Notes

- Install this product according to the installation instructions.
- Provide one grounded electrical outlet within 24" (610 mm) of each component.
- Size the drain cutout to fit the drain assembly that will be used.
- Blower service access is required.
- Studs should be positioned roughly as shown.