



**Lawson®**  
60" x 42" whirlpool bath  
**76331100**



### Features

- Drop-in installation; suitable for island, peninsula or corner applications.
- 15" soaking depth.
- End drain can be installed as left- or right-hand drain.
- Integrated headrest and lumbar support, color-matched jets with adjustable flow.

### Material

- Made from solid Vikrell® material for strength, durability, and lasting beauty.

### Recommended Products/Accessories

71287100 Tile-in flange kit for 60" soaking baths



**DISCONTINUED**

### Codes/Standards

ASME A112.19.7/CSA B45.10  
CSA B45.5/IAPMO Z124  
ASTM E162  
ASTM E662  
UL 1795  
CSA C22.2 No. 218.2

### Warranty – Bathing Fixtures (and) Kitchen and Utility Sinks Made of Solid Vikrell® Material

See website for detailed warranty information.

**DISCONTINUED**

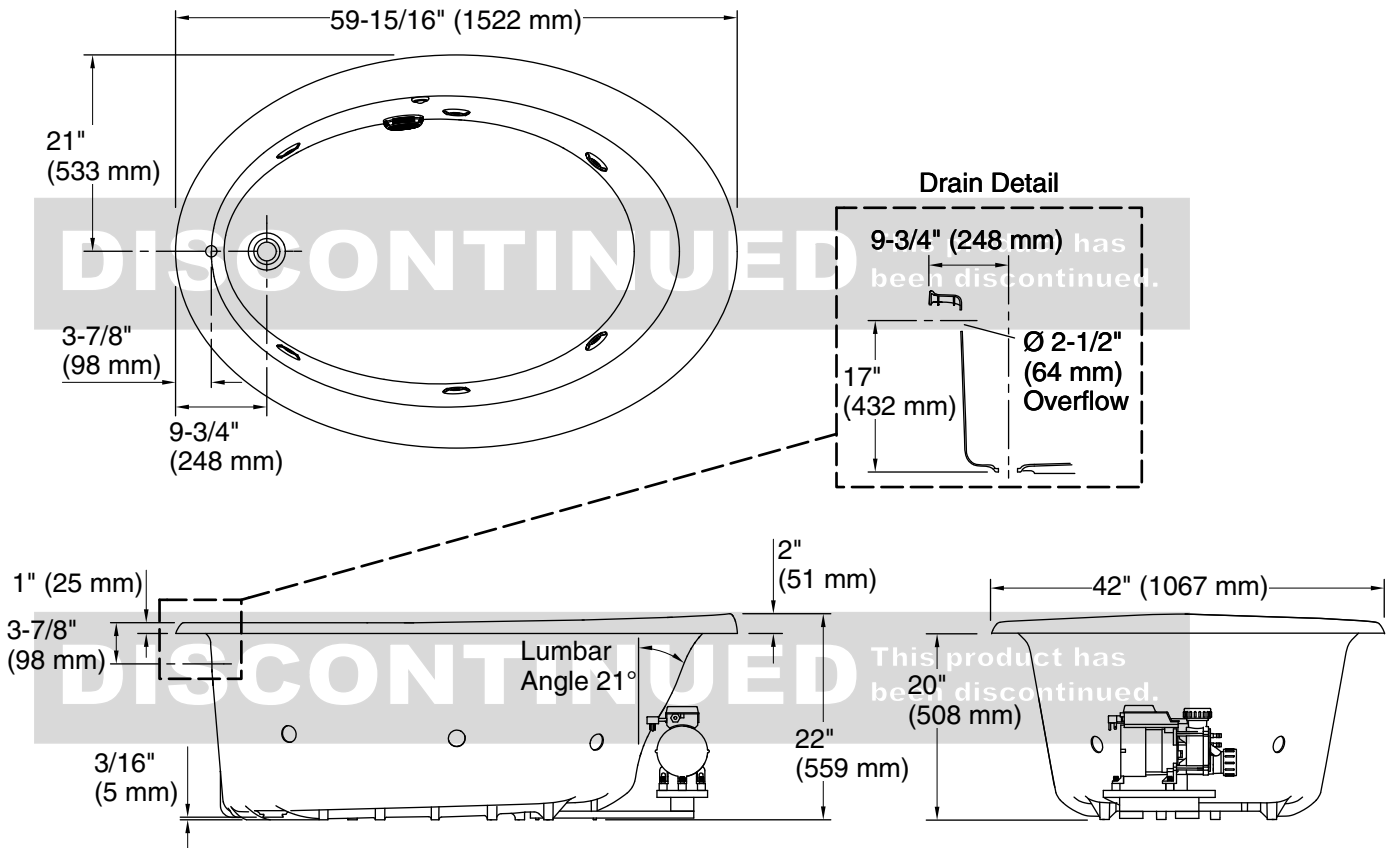
This product has  
been discontinued.

1-800-STERLING (1-800-783-7546)

Kohler Co. reserves the right to make revisions without notice to product specifications.

For the most current Specification Sheet, go to [www.sterlingplumbing.com](http://www.sterlingplumbing.com).

4-24-2020 06:57 - US



**Required Electrical Service**

One dedicated circuit required, protected with Class A Ground-Fault Circuit-Interrupter (GFCI). Outside North America, this device may be known as a Residual Current Device (RCD).

Pump: 120 V, 15 A, 60 Hz

**Technical Information**

All product dimensions are nominal.

- Installation: Drop-in
- Drain location: End
- Basin area, bottom: 38-5/8" x 24-1/2" (980 mm x 622 mm)
- Basin area, top: 58-1/16" x 39-9/16" (1475 mm x 1005 mm)
- Water depth: 15" (381 mm)
- Water capacity: 68 gal (257.4 L)
- Electrical component rating: Pump: 120 V, 7 A, 60 Hz
- Pump speed: Single

**Notes**

Install this product according to the installation instructions.

Provide one grounded electrical outlet within 24" (610 mm) of each component.