



Ensemble™ Medley®

60" whirlpool bath/shower

76320110



Features

- 18 apron.
- Eight adjustable-flow color-matched whirlpool jets.
- Premounted pump and front access panel for easy access to system.
- Three-piece, tongue-and-groove walls with snap-together installation.
- High-gloss walls.
- Corner shelves.
- Dry-Block seal and channeled water containment system.

Material

- Made from solid Vikrell® material for strength, durability, and lasting beauty.

Installation

- Alcove.
- Left drain.
- Caulk-free installation.

Included Components

Product consists of:

71324100 60" bath and shower wall set

76121110 60" x 32" whirlpool bath

Codes/Standards

ASME A112.19.7/CSA B45.10

CSA B45.5/IAPMO Z124

ASTM E162

ASTM E662

UL 1795

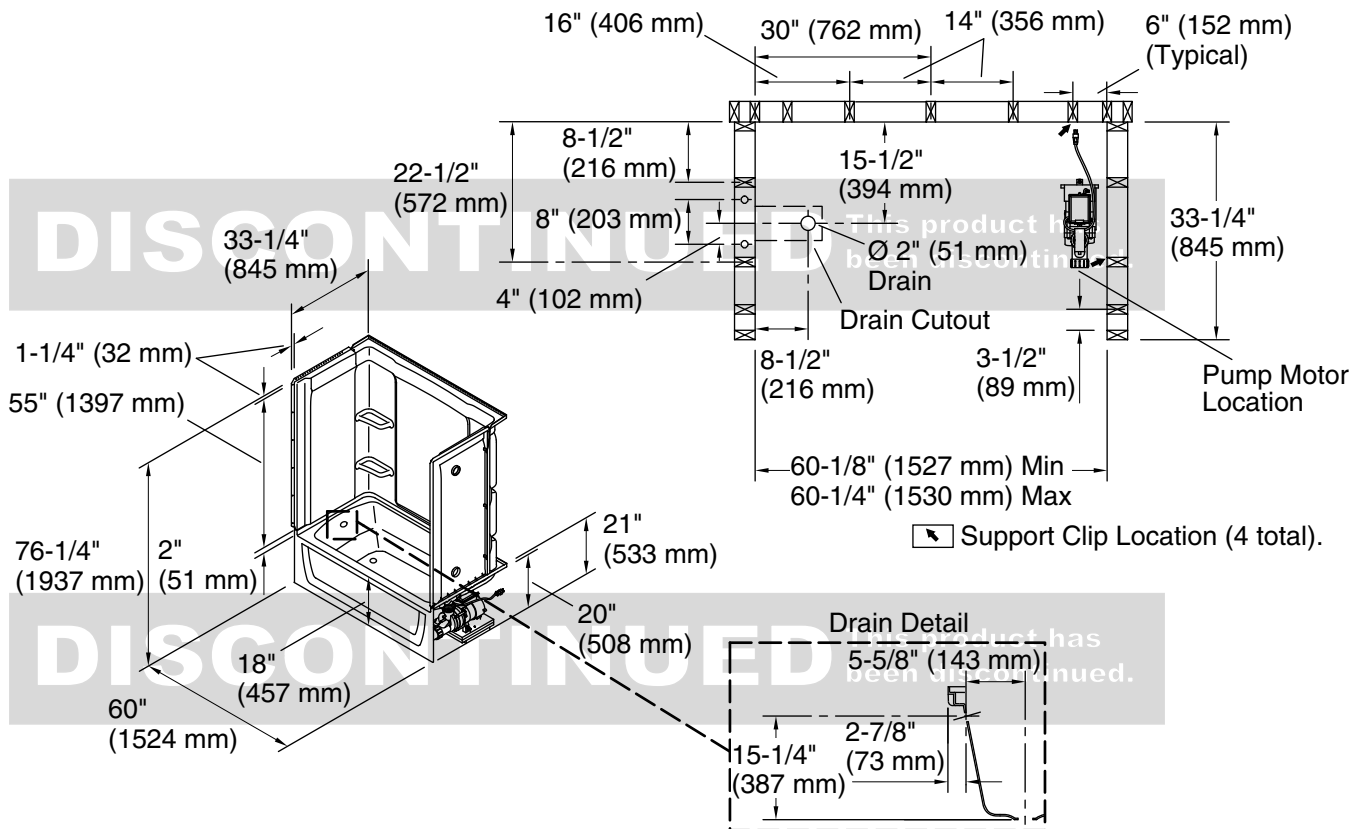
CSA C22.2 No. 218.2

Warranty – Bathing Fixtures (and Kitchen and Utility Sinks Made of Solid Vikrell® Material

See website for detailed warranty information.

DISCONTINUED This product has been discontinued.





Required Electrical Service

One dedicated circuit required, protected with Class A Ground-Fault Circuit-Interrupter (GFCI). Outside North America, this device may be known as a Residual Current Device (RCD).

Pump: 120 V, 15 A, 60 Hz

Technical Information

All product dimensions are nominal.

- Installation: Three-wall alcove
- Drain location: Left
- Basin area, bottom: 42" x 20" (1067 mm x 508 mm)
- Basin area, top: 54" x 26" (1372 mm x 660 mm)
- Minimum floor load: 45.3 lbs/ft² (221.2 kg/m²)
- Water depth: 13-3/4" (349 mm)
- Water capacity: 55 gal (208.2 L)
- Electrical component rating: Pump: 120 V, 7 A, 60 Hz
- Pump speed: Single
- Minimum flat for door: 3" (76 mm)
- Maximum door height: 56-3/4" (1441 mm)
- Maximum door width: 57-11/16" (1465 mm)

Notes

- Install this product according to the installation instructions.
- Provide one grounded electrical outlet within 24" (610 mm) of each component.
- Studs should be positioned roughly as shown.
- Pump is supplied with 24" (610 mm) grounding-type plug-in cord.
- Locate the outlet behind the whirlpool, and within 24" (610 mm) of the pump.