



Features

- 15-1/4" soaking depth
- Reversible drain can be installed as left- or right-hand drain
- Suitable for tile-down applications
- Whirlpool jets, arched armrests, contoured backrest and lumbar support

Material

- Made from solid Vikrell® material for strength, durability, and lasting beauty

Installation

- Drop-in or alcove

Recommended Products/Accessories

71317100 Tile-in flange kit for 72" soaking baths



DISCONTINUED

Codes/Standards

ASME A112.19.7/CSA B45.10

CSA B45.5/IAPMO Z124

ASTM E162

ASTM E662

UL 1795

IAPMO Certification

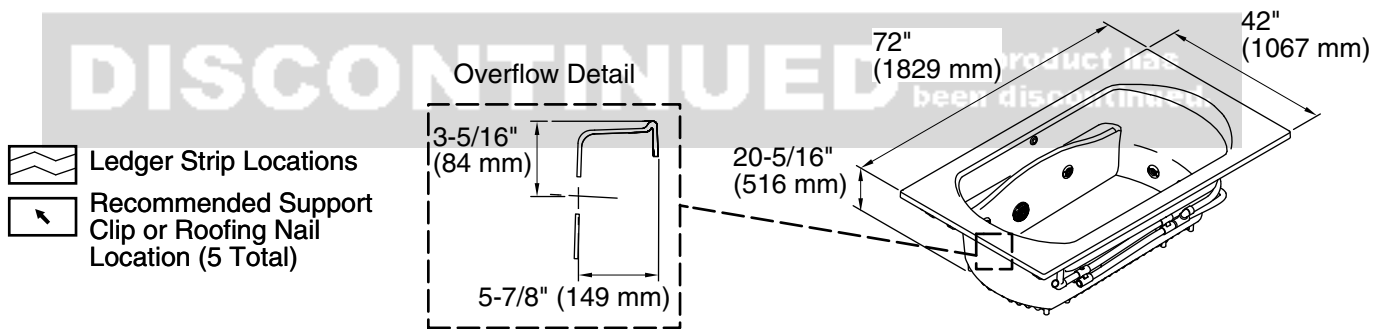
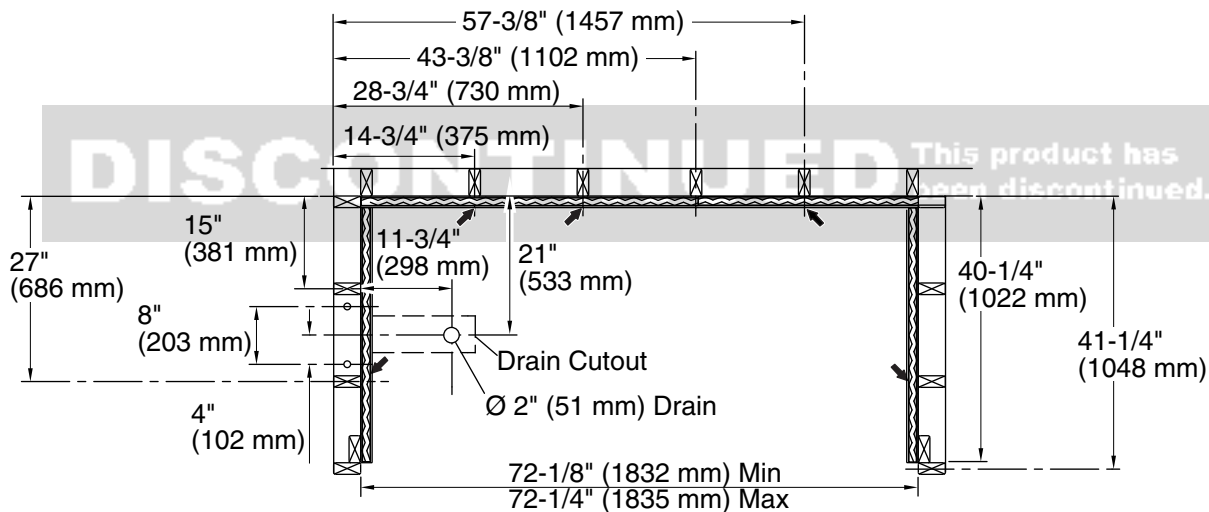
UL Listed

STERLING® Vikrell® or Acrylic Baths and Shower Bases Ten-Year Limited Warranty

See website for detailed warranty information.

DISCONTINUED

This product has been discontinued.



Required Electrical Service

One dedicated circuit required, protected with Class A Ground-Fault Circuit-Interrupter (GFCI). Outside North America, this device may be known as a Residual Current Device (RCD).

Pump: 120 V, 15 A, 60 Hz

Technical Information

All product dimensions are nominal.

Drain location: Reversible
 Basin area, bottom: 50" x 25-5/8" (1270 mm x 651 mm)
 Basin area, top: 59" x 33" (1499 mm x 838 mm)
 Weight: 112 lbs (50.8 kg)
 Water depth: 15-1/4" (387 mm)
 Water capacity: 80 gal (302.8 L)
 Electrical component Pump: 120 V, 7 A, 60 Hz rating:
 Pump speed: Single
 Minimum flat for door: 3" (76 mm)

Notes

Install this product according to the installation instructions.

Provide one grounded electrical outlet within 24" (610 mm) of each component.

Measure your actual product for roughing-in details.

Pump is supplied with a grounding-type plug-in cord.

A pump motor/control access panel is required. Size the drain cutout to fit the drain assembly that will be used.

End stud positioning is critical if nailing-in flanges are to be used.

Studs should be positioned roughly as shown for support clip or roofing nail installation.