



Lawson®

72" x 42" whirlpool bath with heater
76311100-H



Features

- 15-1/4" soaking depth.
- Suitable for tile down applications.
- Contoured backrest and lumbar support; arched armrests; six jets with independent, variable control.

Material

- Made from solid Vikrell® material for strength, durability, and lasting beauty.

This product has been discontinued.

Installation

- Drop-in or alcove.
- Left drain.

Recommended Products/Accessories

71317100 Tile-in flange kit for 72" soaking baths



DISCONTINUED

Codes/Standards

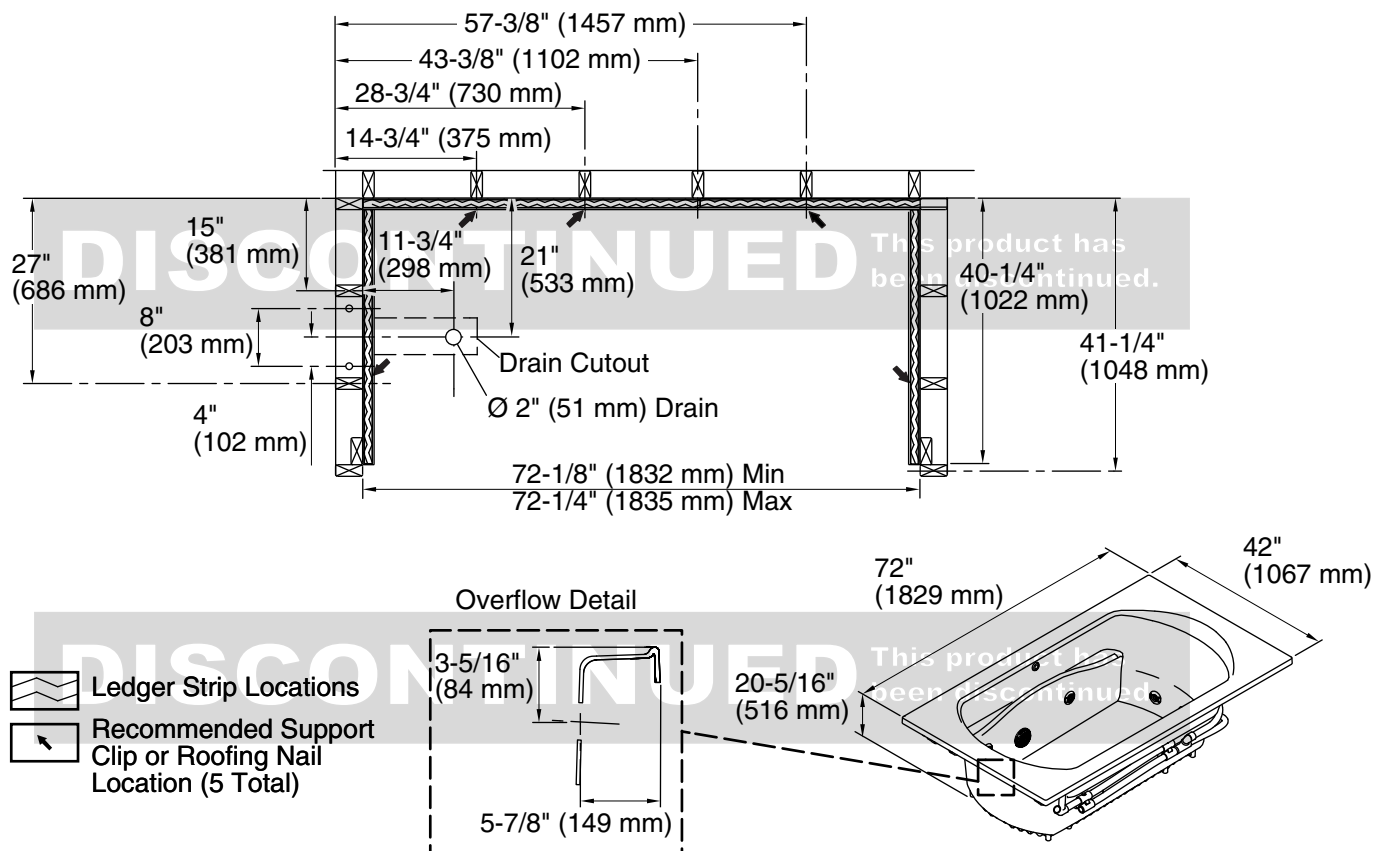
- ASME A112.19.7/CSA B45.10
- CSA B45.5/IAPMO Z124
- ASTM E162
- ASTM E662
- UL 1795
- CSA C22.2 No. 218.2

Warranty – Bathing Fixtures (and) Kitchen and Utility Sinks Made of Solid Vikrell® Material

See website for detailed warranty information.

DISCONTINUED

This product has been discontinued.



Required Electrical Service

Two dedicated circuits required, protected with Class A Ground-Fault Circuit-Interrupter (GFCI). Outside North America, this device may be known as a Residual Current Device (RCD).

Pump: 120 V, 15 A, 60 Hz

Heater: 120 V, 15 A, 60 Hz

Technical Information

All product dimensions are nominal.

Installation: Drop-in, Three-wall alcove

Drain location: End

Basin area, bottom: 50" x 25-5/8" (1270 mm x 651 mm)

Basin area, top: 59" x 33" (1499 mm x 838 mm)

Weight: 112 lbs (50.8 kg)

Water depth: 15-1/4" (387 mm)

Water capacity: 80 gal (302.8 L)

Electrical component rating: Pump: 120 V, 7 A, 60 Hz
Heater: 120 V, 12.5 A, 60 Hz, 1500 W

Pump speed: Single

Minimum flat for door: 3" (76 mm)

Notes

Install this product according to the installation instructions.

Provide one grounded electrical outlet within 24" (610 mm) of each component.

Measure your actual product for roughing-in details.

Pump is supplied with a grounding-type plug-in cord.

A pump motor/control access panel is required.

Size the drain cutout to fit the drain assembly that will be used.

End stud positioning is critical if nailing-in flanges are to be used.

Studs should be positioned roughly as shown for support clip or roofing nail installation.