

STERLING®

A KOHLER COMPANY

Lawson®

60" whirlpool with heater

76281120-H



Features

- Optional apron for alcove installation.
- 15-1/4" soaking depth.
- Suitable for tile down applications.
- Contoured backrest and lumbar support; arched armrests; six jets with independent, variable control.

Material

- Made from solid Vikrell® material for strength, durability, and lasting beauty.

Installation

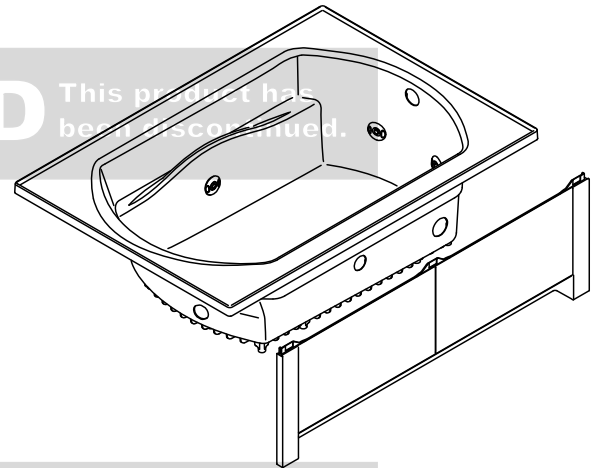
- Drop-in or alcove.
- Right drain.

Recommended Products/Accessories

76268100 Bath apron w/ removable access panel

71287100 Tile-in flange kit for 60" soaking baths

71268100 Bath apron



DISCONTINUED

Codes/Standards

ASME A112.19.7/CSA B45.10

CSA B45.5/IAPMO Z124

ASTM E162

ASTM E662

UL 1795

Warranty – Bathing Fixtures (and Kitchen and Utility Sinks Made of Solid Vikrell® Material)

See website for detailed warranty information.

DISCONTINUED

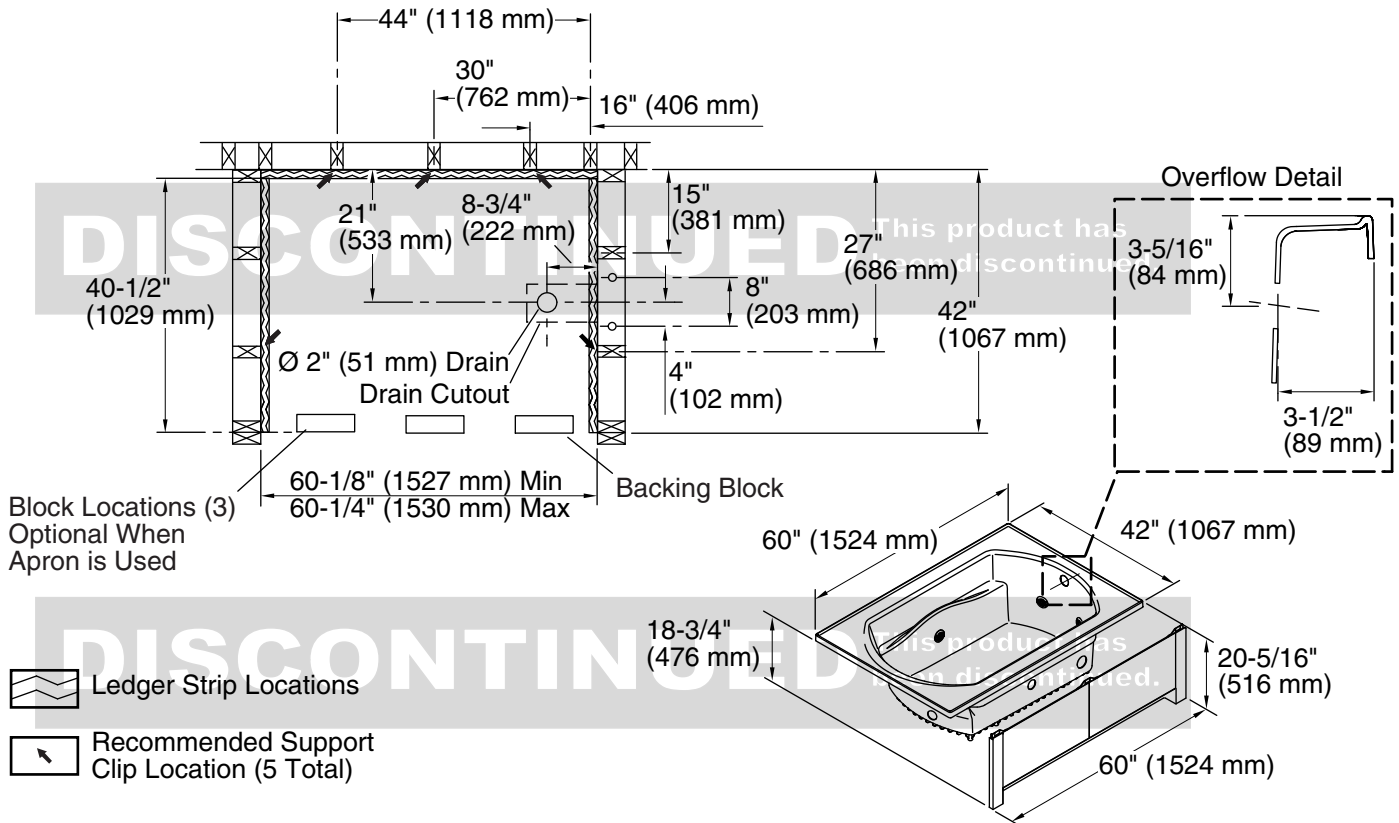
This product has been discontinued.

1-800-STERLING (1-800-783-7546)

Kohler Co. reserves the right to make revisions without notice to product specifications.

For the most current Specification Sheet, go to www.sterlingplumbing.com.

3-20-2020 09:07 - US



Required Electrical Service

Two dedicated circuits required, protected with Class A Ground-Fault Circuit-Interrupter (GFCI). Outside North America, this device may be known as a Residual Current Device (RCD).

Pump: 120 V, 15 A, 60 Hz
 Heater: 120 V, 15 A, 60 Hz

Technical Information

All product dimensions are nominal.

Installation: Drop-in, Three-wall alcove
 Drain location: Right
 Basin area, bottom: 44" x 25-3/4" (1118 mm x 654 mm)
 Basin area, top: 51" x 32-3/4" (1295 mm x 832 mm)
 Water depth: 15-1/4" (387 mm)
 Water capacity: 68 gal (257.4 L)
 Electrical component rating: Pump: 120 V, 7 A, 60 Hz
 Heater: 120 V, 12.5 A, 60 Hz, 1500 W
 Pump speed: Single
 Minimum flat for door: 3" (76 mm)

Notes

- Install this product according to the installation instructions.
- Provide one grounded electrical outlet within 24" (610 mm) of each component.
- Measure your actual product for roughing-in details.
- Pump service access is required.
- Size the drain cutout to fit the drain assembly.
- Stud positioning is critical if nailing-in flanges are to be used.
- Studs should be positioned roughly as shown for support clip or roofing nail installation.