



**Features**

- 15-1/4" soaking depth.
- Contoured backrest and lumbar support; arched armrests; six jets with independent, variable control.

**Material**

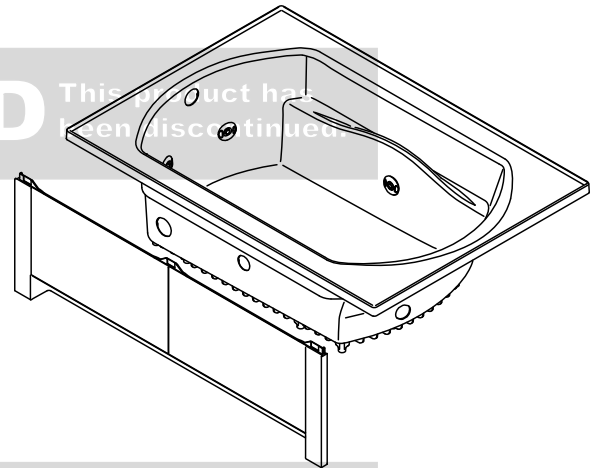
- Made from solid Vikrell® material for strength, durability, and lasting beauty.

**Installation**

- Drop-in or alcove.
- Left drain.

**Recommended Products/Accessories**

- 71287100 Tile-in flange kit for 60" soaking baths
- 76268100 Bath apron w/ removable access panel
- 71268100 Bath apron



**DISCONTINUED**

**Codes/Standards**

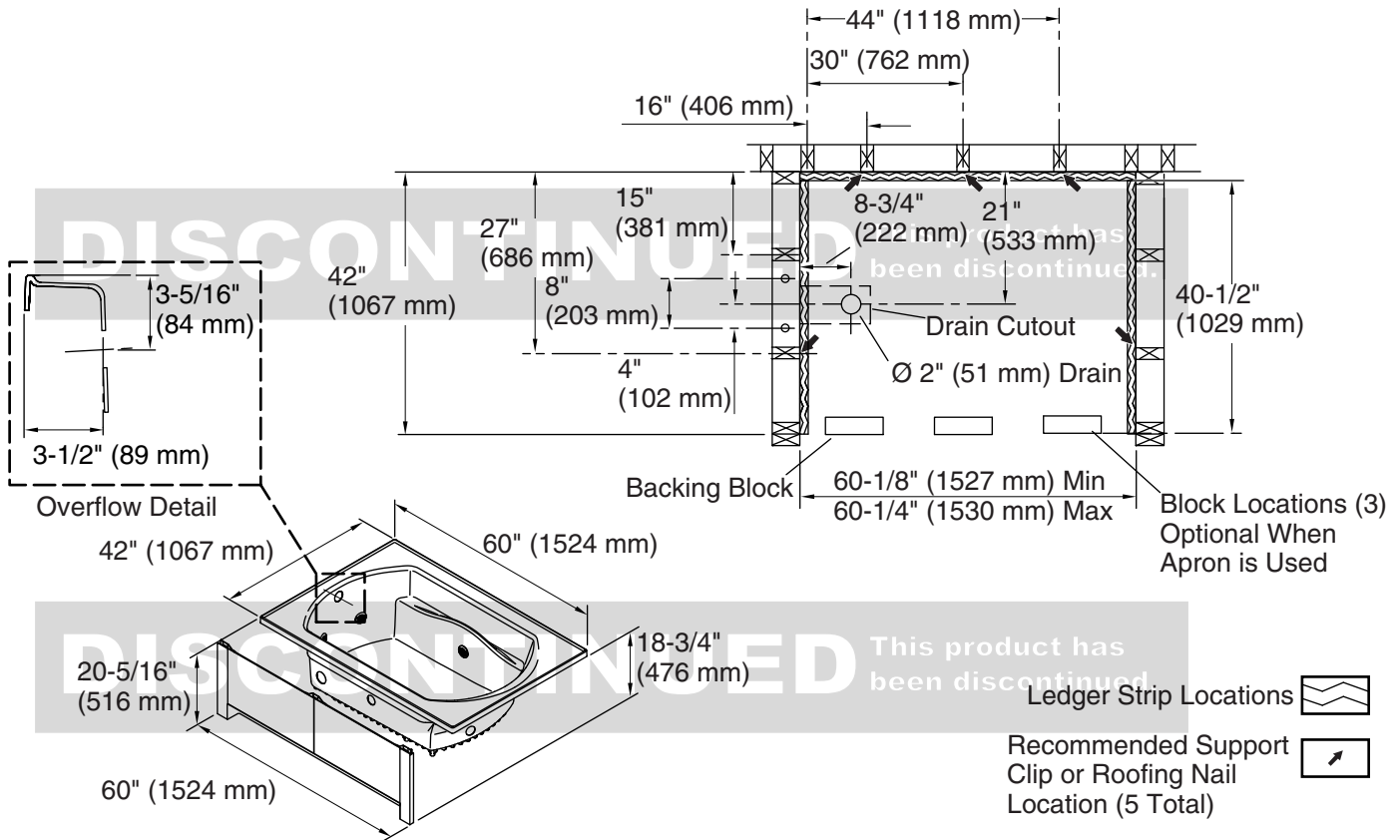
- ASME A112.19.7/CSA B45.10
- CSA B45.5/IAPMO Z124
- ASTM E162
- ASTM E662
- UL 1795

**Warranty – Bathing Fixtures (and Kitchen and Utility Sinks Made of Solid Vikrell® Material)**

See website for detailed warranty information.

**DISCONTINUED**

This product has been discontinued.



**Required Electrical Service**

One circuit required, protected with Class A Ground-Fault Circuit-Interrupter (GFCI). Outside North America, this device may be known as a Residual Current Device (RCD).

Pump: 120 V, 15 A, 60 Hz

**Technical Information**

All product dimensions are nominal.

- Installation: Drop-in, Three-wall alcove
- Drain location: Left
- Basin area, bottom: 44" x 25-3/4" (1118 mm x 654 mm)
- Basin area, top: 51" x 32-3/4" (1295 mm x 832 mm)
- Water depth: 15-1/4" (387 mm)
- Water capacity: 68 gal (257.4 L)
- Electrical component rating: Pump: 120 V, 7 A, 60 Hz
- Pump speed: Single
- Minimum flat for door: 3" (76 mm)

**Notes**

- Install this product according to the installation instructions.
- Provide one grounded electrical outlet within 24" (610 mm) of each component.
- Measure your actual product for roughing-in details.
- Pump service access is required.
- Pump is supplied with 24" (610 mm) grounding-type plug-in cord.
- Locate the outlet behind the whirlpool, and within 24" (610 mm) of the pump.
- Size the drain cutout to fit the drain assembly.
- Stud positioning is critical if nailing-in flanges are to be used.
- Studs should be positioned roughly as shown for support clip or roofing nail installation.