



**Features**

- Optional apron for alcove installation.
- 15-1/4" soaking depth.
- Suitable for tile down applications.
- Contoured backrest and lumbar support; arched armrests; six jets with independent, variable control.

**Material**

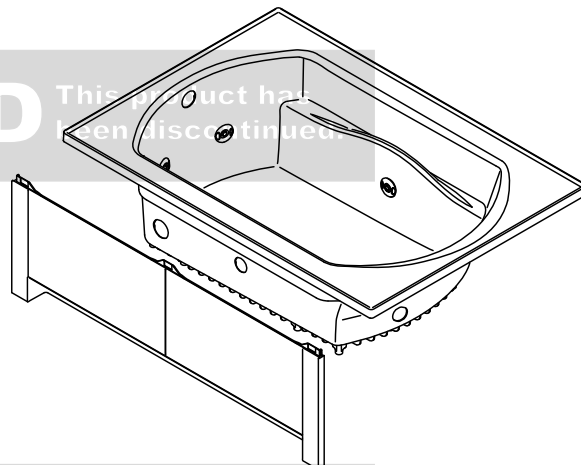
- Made from solid Vikrell® material for strength, durability, and lasting beauty.

**Installation**

- Drop-in or alcove.
- Left drain.

**Recommended Products/Accessories**

- 76268100 Bath apron w/ removable access panel
- 71287100 Tile-in flange kit for 60" soaking baths
- 71268100 Bath apron



**DISCONTINUED**

**Codes/Standards**

- ASME A112.19.7/CSA B45.10
- CSA B45.5/IAPMO Z124
- ASTM E162
- ASTM E662
- UL 1795

**Warranty – Bathing Fixtures (and Kitchen and Utility Sinks Made of Solid Vikrell® Material)**

See website for detailed warranty information.

**DISCONTINUED**

This product has been discontinued.

