



Lawson®
60" whirlpool
76271120



Features

- 15-1/4" soaking depth.
- Six color-matched whirlpool jets with adjustable flow control.

Material

- Made from solid Vikrell® material for strength, durability, and lasting beauty.

Installation

- Drop-in or alcove.
- Right drain.

Recommended Products/Accessories

- 76268100 Bath apron w/ removable access panel
- 71268100 Bath apron
- 71287100 Tile-in flange kit for 60" soaking baths



DISCONTINUED

Codes/Standards

- ASME A112.19.7/CSA B45.10
- CSA B45.5/IAPMO Z124
- ASTM E162
- ASTM E662
- UL 1795

Warranty – Bathing Fixtures (and) Kitchen and Utility Sinks Made of Solid Vikrell® Material

See website for detailed warranty information.

DISCONTINUED

This product has
been discontinued.

1-800-STERLING (1-800-783-7546)

Kohler Co. reserves the right to make revisions without notice to product specifications.

For the most current Specification Sheet, go to www.sterlingplumbing.com.

3-20-2020 09:07 - US

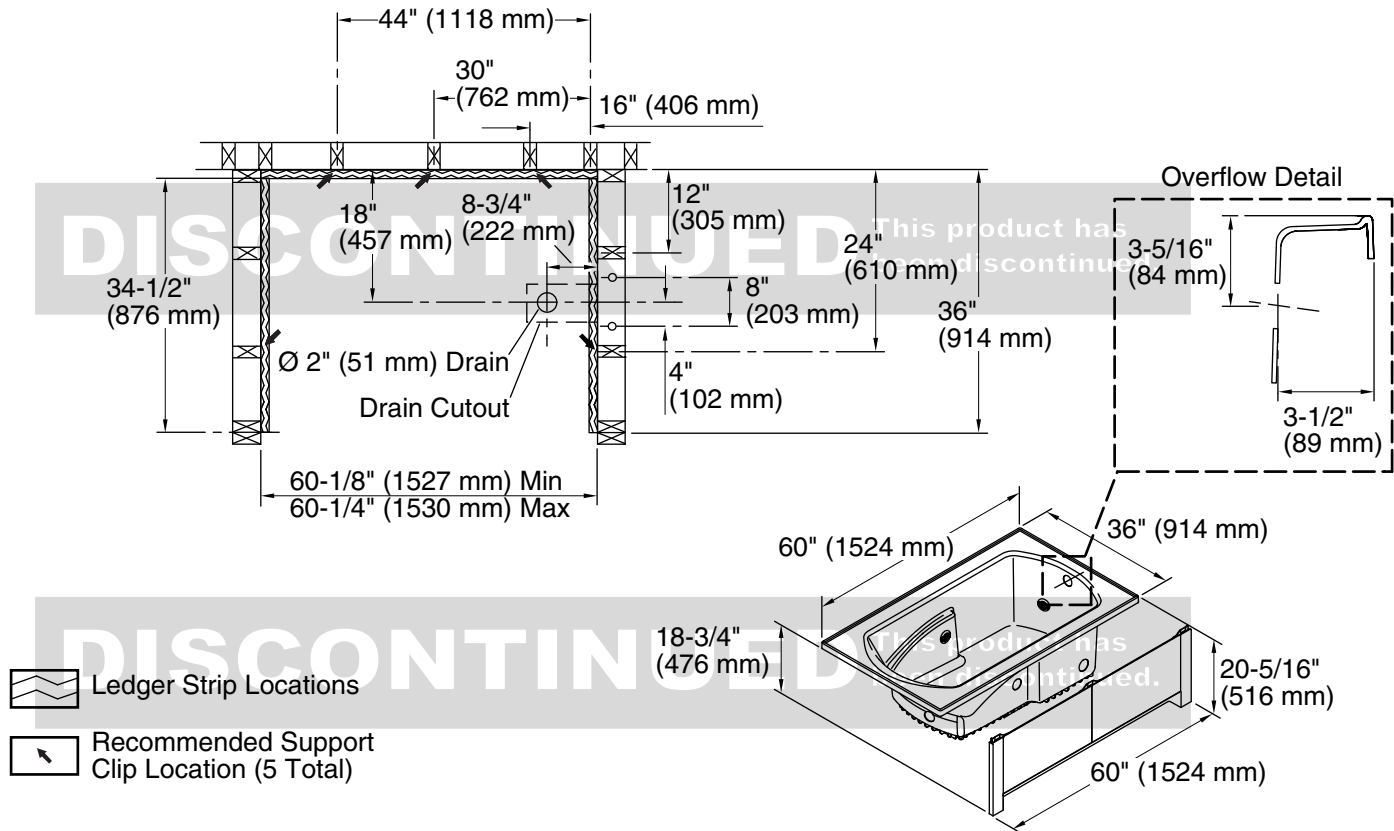
STERLING®

A KOHLER COMPANY

Lawson®

60" whirlpool

76271120



Required Electrical Service

One dedicated circuit required, protected with Class A Ground-Fault Circuit-Interrupter (GFCI). Outside North America, this device may be known as a Residual Current Device (RCD).

Pump: 120 V, 15 A, 60 Hz

Technical Information

All product dimensions are nominal.

Installation: Drop-in, Three-wall alcove

Drain location: Right

Basin area, bottom: 44" x 25-1/2" (1118 mm x 648 mm)

Basin area, top: 51" x 26-3/4" (1295 mm x 679 mm)

Water depth: 15-1/4" (387 mm)

Water capacity: 59 gal (223.3 L)

Electrical component rating: Pump: 120 V, 7 A, 60 Hz

Pump speed: Single

Minimum flat for door: 3" (76 mm)

Notes

Install this product according to the installation instructions.

Provide one grounded electrical outlet within 24" (610 mm) of each component.

Measure your actual product for roughing-in details.

Pump is supplied with 24" (610 mm) grounding-type plug-in cord.

Locate the outlet behind the whirlpool, and within 24" (610 mm) of the pump.

Pump service access is required.

Size the drain cutout to fit the drain assembly that will be used.

Studs should be positioned roughly as shown.

1-800-STERLING (1-800-783-7546)

Kohler Co. reserves the right to make revisions without notice to product specifications.

For the most current Specification Sheet, go to www.sterlingplumbing.com.

3-20-2020 09:07 - US