



**Lawson®**

60" x 36" whirlpool bath with heater  
**76271110-H**



**Features**

- 15-1/4" soaking depth.
- Six color-matched whirlpool jets with adjustable flow control and heater.

**Material**

- Made from solid Vikrell® material for strength, durability, and lasting beauty.

**Installation**

- Drop-in or alcove.
- Left drain.

**Recommended Products/Accessories**

- 76268100 Bath apron w/ removable access panel
- 71287100 Tile-in flange kit for 60" soaking baths
- 71268100 Bath apron



**DISCONTINUED**

**Codes/Standards**

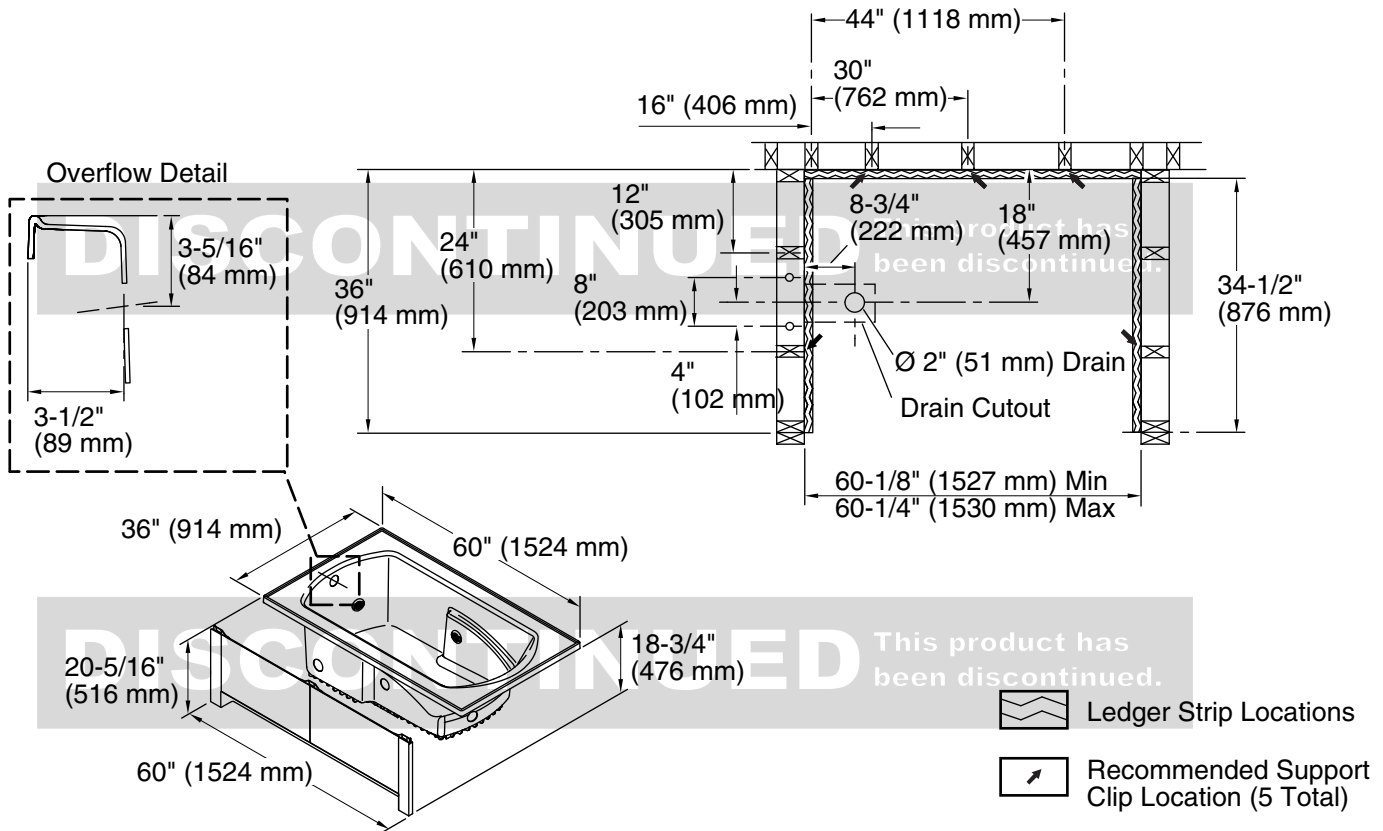
- ASME A112.19.7/CSA B45.10
- CSA B45.5/IAPMO Z124
- ASTM E162
- ASTM E662
- UL 1795

**Warranty – Bathing Fixtures (and)  
Kitchen and Utility Sinks Made of Solid  
Vikrell® Material**

See website for detailed warranty information.

**DISCONTINUED**

This product has been discontinued.



### Required Electrical Service

Two dedicated circuits required, protected with Class A Ground-Fault Circuit-Interrupter (GFCI). Outside North America, this device may be known as a Residual Current Device (RCD).

Pump: 120 V, 15 A, 60 Hz  
Heater: 120 V, 15 A, 60 Hz

### Technical Information

All product dimensions are nominal.

Installation: Drop-in, Three-wall alcove  
Drain location: Left  
Basin area, bottom: 44" x 25-1/2" (1118 mm x 648 mm)  
Basin area, top: 51" x 26-3/4" (1295 mm x 679 mm)  
Water depth: 15-1/4" (387 mm)  
Water capacity: 59 gal (223.3 L)  
Electrical component rating: Pump: 120 V, 7 A, 60 Hz  
Heater: 120 V, 12.5 A, 60 Hz  
Pump speed: Single  
Minimum flat for door: 3" (76 mm)

### Notes

- Install this product according to the installation instructions.
- Provide one grounded electrical outlet within 24" (610 mm) of each component.
- Measure your actual product for roughing-in details.
- Pump is supplied with a grounding-type plug-in cord.
- Pump service access is required.
- Size the drain cutout to fit the drain assembly that will be used.
- Studs should be positioned roughly as shown.