



Features

- 15-1/4" soaking depth.
- Six color-matched whirlpool jets with adjustable flow control and heater.

Material

- Made from solid Vikrell® material for strength, durability, and lasting beauty.

Installation

- Drop-in or alcove.
- Right drain.

Recommended Products/Accessories

- 76268100 Bath apron w/ removable access panel
- 71287100 Tile-in flange kit for 60" soaking baths
- 71268100 Bath apron



DISCONTINUED

Codes/Standards

- ASME A112.19.7/CSA B45.10
- CSA B45.5/IAPMO Z124
- ASTM E162
- ASTM E662
- UL 1795

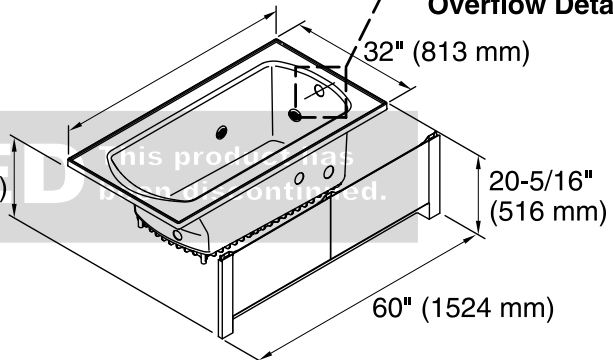
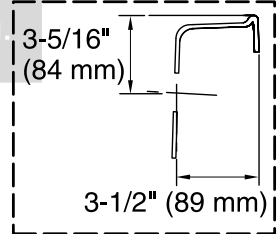
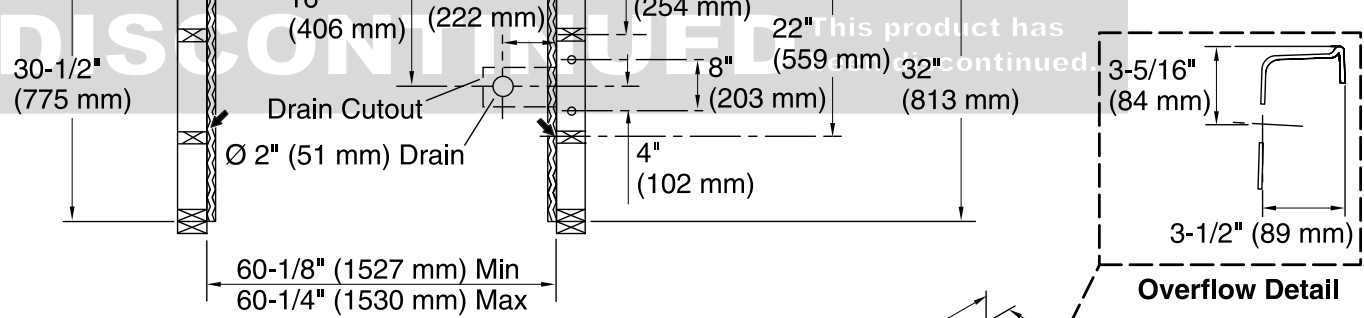
**Warranty – Bathing Fixtures (and)
Kitchen and Utility Sinks Made of Solid
Vikrell® Material**



See website for detailed warranty information.

DISCONTINUED

This product has been discontinued.

DISCONTINUED This product has been discontinued.



-  Ledger Strip Locations
-  Recommended Support Clip Location (5 Total)

Required Electrical Service

Two dedicated circuits required, protected with Class A Ground-Fault Circuit-Interrupter (GFCI). Outside North America, this device may be known as a Residual Current Device (RCD).

- Pump: 120 V, 15 A, 60 Hz
- Heater: 120 V, 15 A, 60 Hz

Technical Information

- All product dimensions are nominal.
- Installation: Drop-in, Three-wall alcove
- Drain location: Right
- Basin area, bottom: 44" x 21-1/2" (1118 mm x 546 mm)
- Basin area, top: 51" x 22-3/4" (1295 mm x 578 mm)
- Weight: 60 lbs (27.2 kg)
- Water depth: 15-1/4" (387 mm)
- Water capacity: 53 gal (200.6 L)
- Electrical component rating: Pump: 120 V, 7 A, 60 Hz; Heater: 120 V, 12.5 A, 60 Hz, 1500 W
- Pump speed: Single
- Minimum flat for door: 3" (76 mm)

Notes

- Install this product according to the installation instructions.
- Provide one grounded electrical outlet within 24" (610 mm) of each component.
- Measure your actual product for roughing-in details.
- Pump is supplied with 24" (610 mm) grounding-type plug-in cord.
- Pump service access is required.
- Size the drain cutout to fit the drain assembly that will be used.
- Studs should be positioned roughly as shown.