



**Features**

- 15-1/4" soaking depth.
- Six whirlpool jets with color-matched adjustable-flow control.

**Material**

- Made from solid Vikrell® material for strength, durability, and lasting beauty.

**Installation**

- Drop-in.
- Left drain.

**Recommended Products/Accessories**

- 71287100 Tile-in flange kit for 60" soaking baths
- 76268100 Bath apron w/ removable access panel
- 71268100 Bath apron



**DISCONTINUED**

**Codes/Standards**

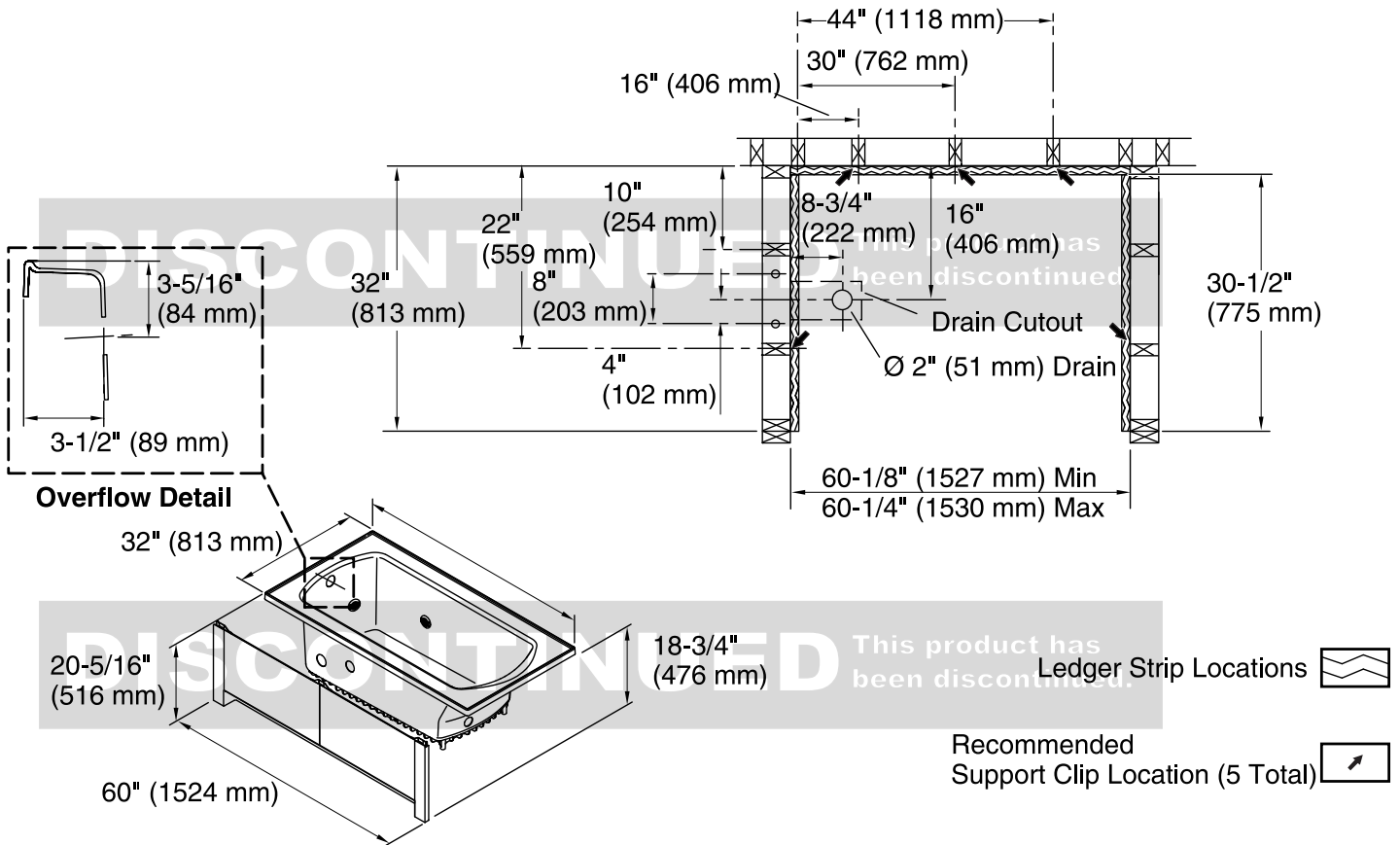
- ASME A112.19.7/CSA B45.10
- CSA B45.5/IAPMO Z124
- ASTM E162
- ASTM E662
- UL 1795

**Warranty – Bathing Fixtures (and)  
Kitchen and Utility Sinks Made of Solid  
Vikrell® Material**

See website for detailed warranty information.

**DISCONTINUED**

This product has  
been discontinued.



### Required Electrical Service

One dedicated circuit required, protected with Class A Ground-Fault Circuit-Interrupter (GFCI). Outside North America, this device may be known as a Residual Current Device (RCD).

Pump: 120 V, 15 A, 60 Hz

### Technical Information

All product dimensions are nominal.

Installation: Drop-in, Three-wall alcove

Drain location: Left

Basin area, bottom: 44" x 21-1/2" (1118 mm x 546 mm)

Basin area, top: 51" x 22-3/4" (1295 mm x 578 mm)

Water depth: 15-1/4" (387 mm)

Water capacity: 53 gal (200.6 L)

Electrical component rating: Pump: 120 V, 7 A, 60 Hz

Pump speed: Single

Minimum flat for door: 3" (76 mm)

### Notes

Install this product according to the installation instructions.

Provide one grounded electrical outlet within 24" (610 mm) of each component.

Measure your actual product for roughing-in details.

Pump is supplied with 24" (610 mm) grounding-type plug-in cord.

Pump service access is required.

Size the drain cutout to fit the drain assembly that will be used.

Studs should be positioned roughly as shown.