



Features

- 15" apron.
- Six adjustable-flow whirlpool jets.
- Premounted pump and front access panel for easy access to system.
- Pivot snap-together modular design.
- Smooth, high-gloss walls.
- Four corner shelves.

Material

- Made from solid Vikrell® material for strength, durability, and lasting beauty.

Installation

- Alcove.
- Right drain.
- Caulk-free installation.

Recommended Products/Accessories

- 500C-59 Framed sliding bath door
- 690B-59 Framed sliding bath door
- 5425-57 Frameless sliding bath door
- 5425-59 Frameless sliding bath door
- 5905-59 Framed sliding bath door
- 5906-59 Framed sliding bath door
- 5907-59 Framed sliding bath door
- 542808-59 Frameless sliding bath door
- 572005-59 Framed sliding shower door
- 581005-59 Frameless sliding bath door
- K-23726 Drain treatment
- K-23733 Vikrell® cleaner

Included Components

- Product consists of:
- 76141110 60" whirlpool
 - 71144100 60" x 31-1/4" tile bath/shower wall set

This product has been discontinued.



Codes/Standards

- ASME A112.19.7/CSA B45.10
- CSA B45.5/IAPMO Z124
- ASTM E162
- ASTM E662
- UL 1795

Warranty – Bathing Fixtures (and) Kitchen and Utility Sinks Made of Solid Vikrell® Material

See website for detailed warranty information.

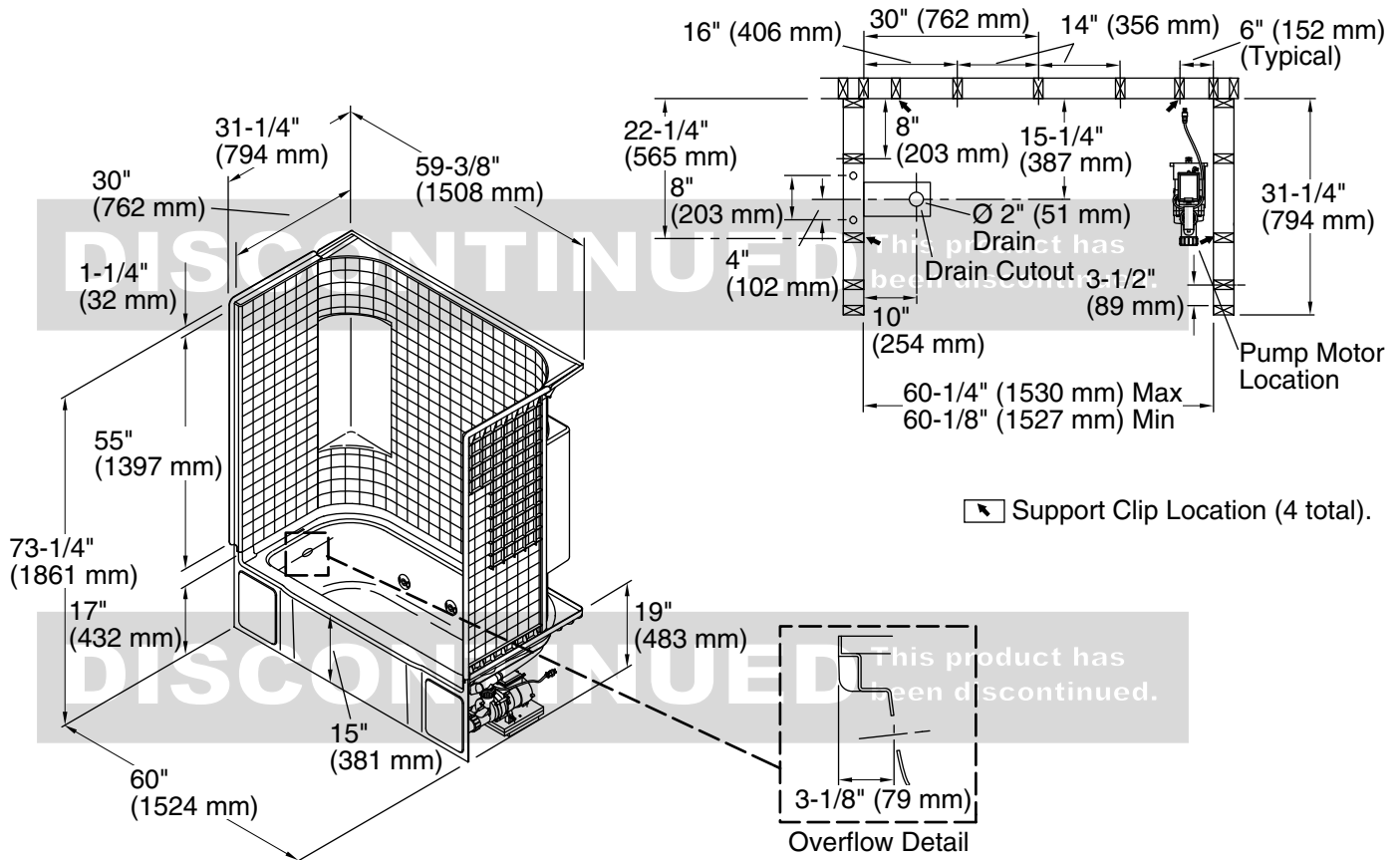
STERLING®

A KOHLER COMPANY

Accord®

60" tile whirlpool/shower

76140110



Required Electrical Service

One dedicated circuit required, protected with Class A Ground-Fault Circuit-Interrupter (GFCI). Outside North America, this device may be known as a Residual Current Device (RCD).

Pump: 120 V, 15 A, 60 Hz

Technical Information

All product dimensions are nominal.

Installation: Three-wall alcove
Drain location: Left
Basin area, bottom: 46-1/4" x 20-1/2" (1175 mm x 521 mm)
Basin area, top: 52-1/4" x 22-1/2" (1327 mm x 572 mm)
Water depth: 11" (279 mm)
Water capacity: 34 gal (128.7 L)
Electrical component rating: Pump: 120 V, 7 A, 60 Hz
Pump speed: Single
Minimum flat for door: 2-3/4" (70 mm)
Maximum door height: 56-1/2" (1435 mm)
Maximum door width: 56-3/4" (1441 mm)

Notes

Install this product according to the installation instructions.

Provide one grounded electrical outlet within 24" (610 mm) of each component.

Measure your actual product for roughing-in details.

Pump is supplied with 24" (610 mm) grounding-type plug-in cord.

Locate the outlet behind the whirlpool, and within 24" (610 mm) of the pump.

Do not disassemble the pump or piping as this could void the warranty.

The width of the module gets 5/8" (16 mm) narrower at the back. Furring strips (approximately 1/4" (6 mm)) should be used at the back corner studs if drywall will overlap the nailing flange.

Product is designed to be used with a single-hole mixer valve with an escutcheon cover not to exceed 7-3/4" (197 mm) in width.

1-800-STERLING (1-800-783-7546)

Kohler Co. reserves the right to make revisions without notice to product specifications.

For the most current Specification Sheet, go to www.sterlingplumbing.com.

5-6-2020 11:06 - US