



A KOHLER COMPANY

Ensemble™

60" x 32" whirlpool bath
76121110



Features

- 16" apron, 11" soaking depth.
- Eight color-matched whirlpool jets with adjustable flow control.

Material

- Made from solid Vikrell® material for strength, durability, and lasting beauty.

Installation

- Alcove.
- Left drain.

Recommended Products/Accessories

- 5425-59 Frameless sliding bath door
- 5427-59 Frameless sliding bath door
- 542808-59 Frameless sliding bath door



DISCONTINUED This product has been discontinued.

ADA

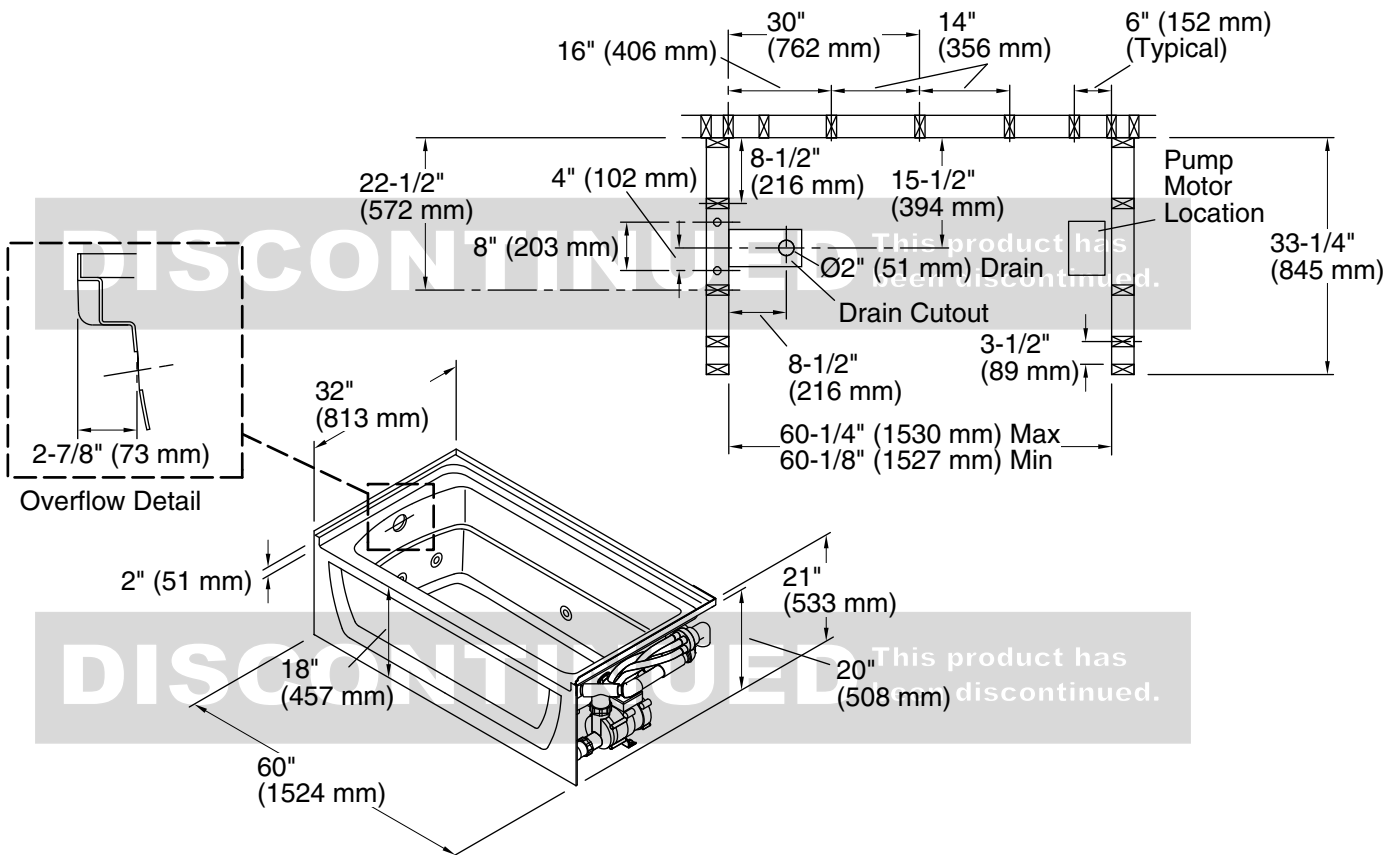
Codes/Standards

- ASME A112.19.7/CSA B45.10
- CSA B45.5/IAPMO Z124
- ASTM E162
- ASTM E662
- UL 1795
- ADA
- ICC/ANSI A117.1

DISCONTINUED This product has been discontinued.

Warranty – Bathing Fixtures (and Kitchen and Utility Sinks Made of Solid Vikrell® Material

See website for detailed warranty information.



Required Electrical Service

One dedicated circuit required, protected with Class A Ground-Fault Circuit-Interrupter (GFCI). Outside North America, this device may be known as a Residual Current Device (RCD).

Pump: 120 V, 15 A, 60 Hz

Technical Information

All product dimensions are nominal.

Installation: Three-wall alcove
 Drain location: Left
 Basin area, bottom: 42" x 20" (1067 mm x 508 mm)
 Basin area, top: 54" x 26" (1372 mm x 660 mm)
 Water depth: 13-3/4" (349 mm)
 Water capacity: 55 gal (208.2 L)
 Electrical component rating: Pump: 120 V, 7 A, 60 Hz
 Pump speed: Single
 Minimum flat for door: 3" (76 mm)
 Maximum door width: 57-11/16" (1465 mm)

Notes

- Install this product according to the installation instructions.
- Provide one grounded electrical outlet within 24" (610 mm) of each component.
- Measure your actual product for roughing-in details.
- Pump is supplied with 24" (610 mm) grounding-type plug-in cord.
- Locate the outlet behind the whirlpool, and within 24" (610 mm) of the pump.
- Do not disassemble the pump or piping as this could void the warranty.
- Size the drain cutout to fit the drain assembly that will be used.
- ADA compliant when installed to the specific requirements of these regulations.