



Features

- 18 apron.
- Premounted pump and front access panel for easy access to system.
- Eight color-matched whirlpool jets with adjustable flow, built-in armrests, contoured back.
- Three-piece, tongue-and-groove walls with snap-together installation.
- Tile look.
- Corner shelves.

Material

- Made from solid Vikrell® material for strength, durability, and lasting beauty.

Installation

- Alcove.
- Left drain.
- Some caulk required for proper installation.

Recommended Products/Accessories

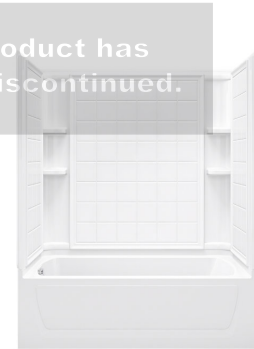
- 5425-59 Frameless sliding bath door
- 5427-59 Frameless sliding bath door
- 542808-59 Frameless sliding bath door

Codes/Standards

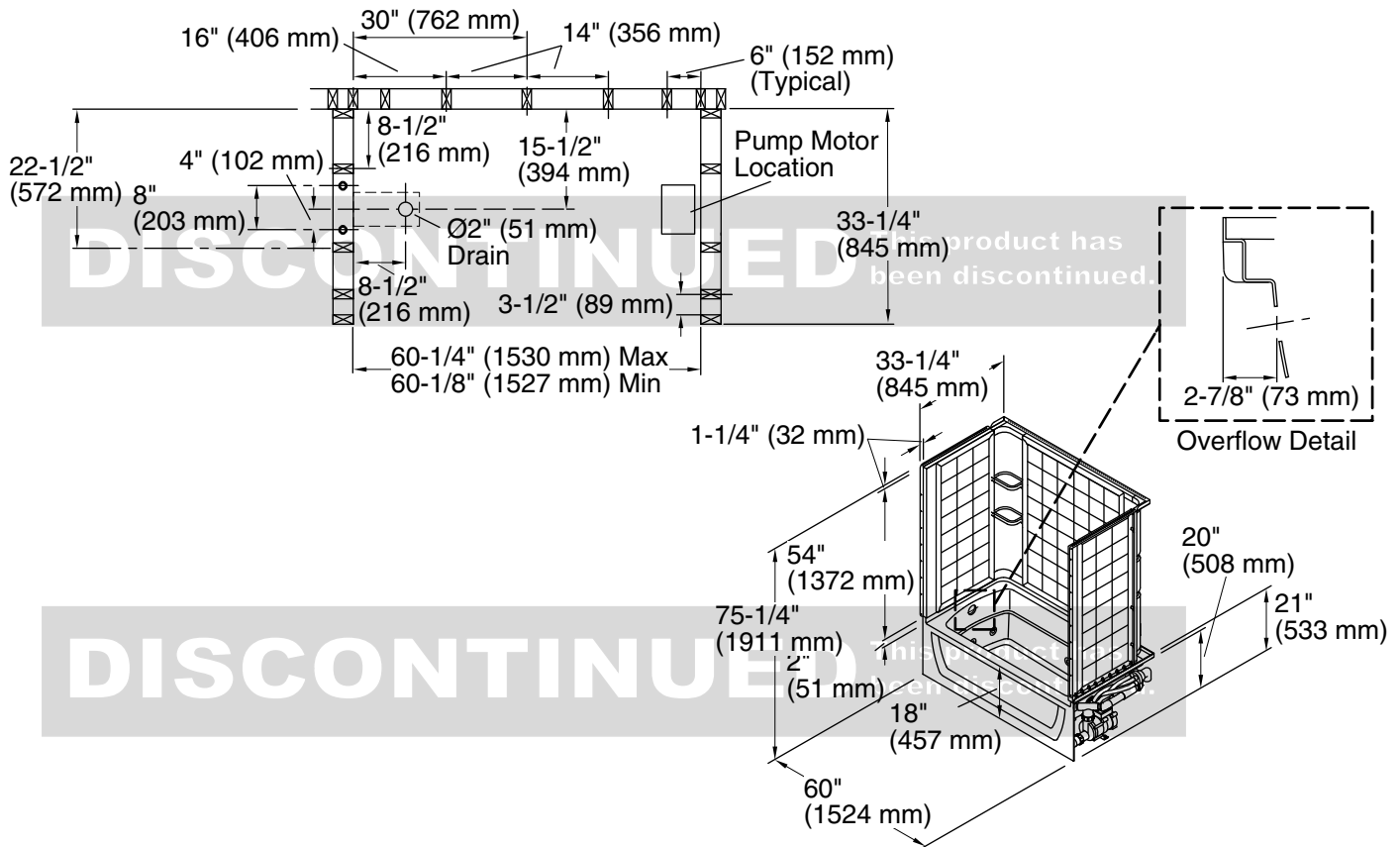
- ASME A112.19.7/CSA B45.10
- CSA B45.5/IAPMO Z124
- ASTM E162
- ASTM E662
- UL 1795

**Warranty – Bathing Fixtures (and)
Kitchen and Utility Sinks Made of Solid
Vikrell® Material**

See website for detailed warranty information.



DISCONTINUED This product has been discontinued.



Required Electrical Service

One dedicated circuit required, protected with Class A Ground-Fault Circuit-Interrupter (GFCI). Outside North America, this device may be known as a Residual Current Device (RCD).

Pump: 120 V, 15 A, 60 Hz

Technical Information

All product dimensions are nominal.

Installation: Three-wall alcove
 Drain location: Left
 Basin area, bottom: 42" x 20" (1067 mm x 508 mm)
 Basin area, top: 54" x 26" (1372 mm x 660 mm)
 Water depth: 13-3/4" (349 mm)
 Water capacity: 55 gal (208.2 L)
 Electrical component Pump: 120 V, 7 A, 60 Hz rating:
 Pump speed: Single
 Minimum flat for door: 3" (76 mm)
 Maximum door height: 57-11/16" (1465 mm)
 Maximum door width: 55-1/2" (1410 mm)

Notes

Install this product according to the installation instructions.
 Provide one grounded electrical outlet within 24" (610 mm) of each component.
 Measure your actual product for roughing-in details.
 Pump is supplied with 24" (610 mm) grounding-type plug-in cord.
 Locate the outlet behind the whirlpool, and within 24" (610 mm) of the pump.