



**Features**

- 16" apron, 11" soaking depth.
- Compatible with Ensemble wall set (76111120)
- Gently sloping backrest, six color-matched jets with adjustable flow.

**Material**

- Made from solid Vikrell® material for strength, durability, and lasting beauty.

**Installation**

- Alcove.
- Left drain.

**Recommended Products/Accessories**

- 5425-59 Frameless sliding bath door
- 5427-59 Frameless sliding bath door
- 542808-59 Frameless sliding bath door



**DISCONTINUED**

This product has been discontinued.

**ADA**

**Codes/Standards**

- ASME A112.19.7/CSA B45.10
- CSA B45.5/IAPMO Z124
- ASTM E162
- ASTM E662
- UL 1795
- ADA
- ICC/ANSI A117.1

**DISCONTINUED**

**Warranty – Bathing Fixtures (and Kitchen and Utility Sinks Made of Solid Vikrell® Material)**

See website for detailed warranty information.

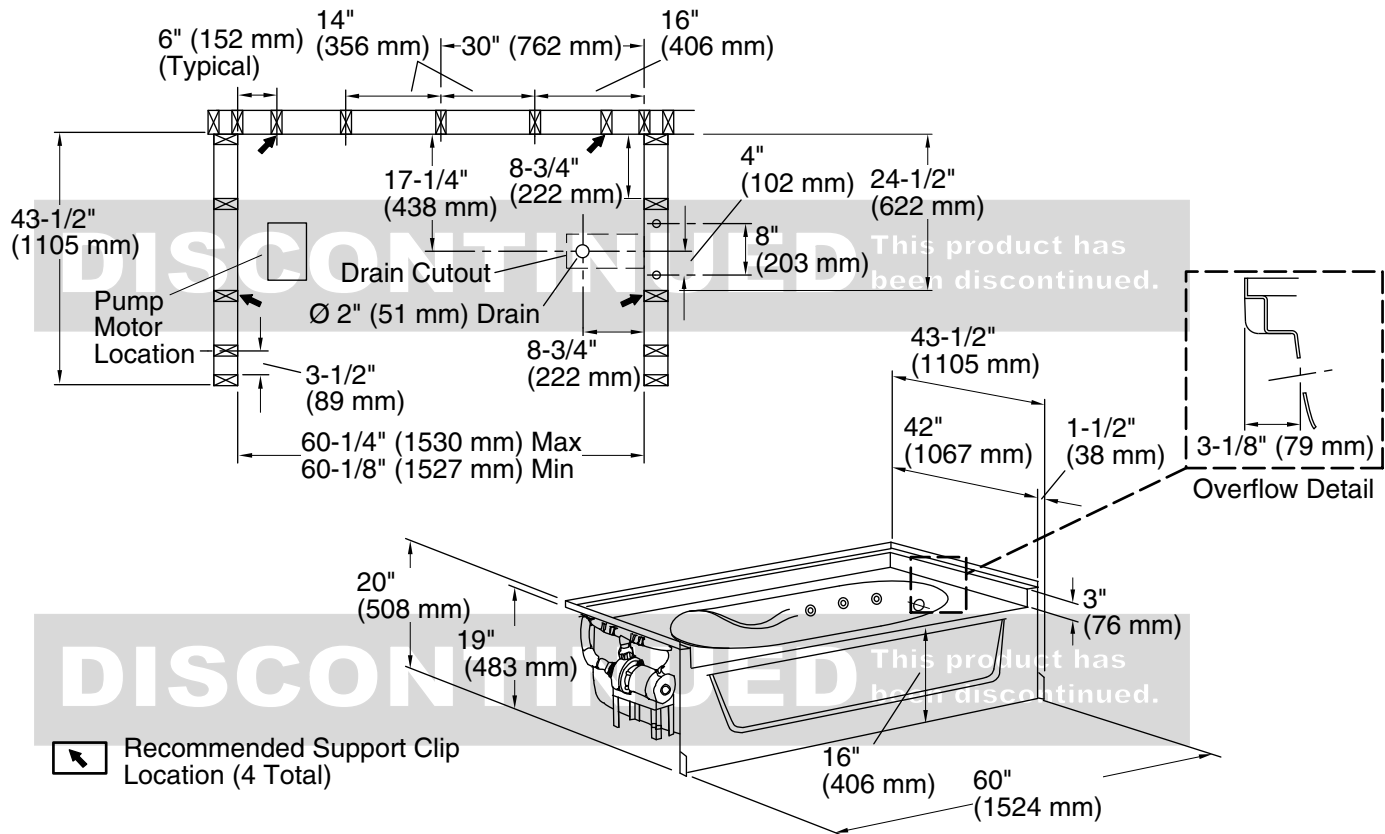
# STERLING

A KOHLER COMPANY

## Ensemble™

60" x 42" whirlpool bath

76111120



### Required Electrical Service

One dedicated circuit required, protected with Class A Ground-Fault Circuit-Interrupter (GFCI). Outside North America, this device may be known as a Residual Current Device (RCD).

Pump: 120 V, 15 A, 60 Hz

### Technical Information

All product dimensions are nominal.

Installation: Three-wall alcove  
Drain location: Right  
Basin area, bottom: 40" x 27" (1016 mm x 686 mm)  
Basin area, top: 52" x 35" (1321 mm x 889 mm)  
Water depth: 11" (279 mm)  
Water capacity: 55 gal (208.2 L)  
Electrical component rating: Pump: 120 V, 7 A, 60 Hz  
Pump speed: Single  
Minimum flat for door: 3-1/4" (83 mm)

### Notes

- Install this product according to the installation instructions.
- Provide one grounded electrical outlet within 24" (610 mm) of each component.
- Measure your actual product for roughing-in details.
- Pump is supplied with 24" (610 mm) grounding-type plug-in cord.
- Locate the outlet behind the whirlpool, and within 24" (610 mm) of the pump.
- Do not disassemble the pump or piping as this could void the warranty.
- Size the drain cutout to fit the drain assembly that will be used.
- Studs should be positioned roughly as shown.
- End stud positioning is critical if nailing-in flanges are to be used.
- ADA compliant when installed to the specific requirements of these regulations.

1-800-STERLING (1-800-783-7546)

Kohler Co. reserves the right to make revisions without notice to product specifications.

For the most current Specification Sheet, go to [www.sterlingplumbing.com](http://www.sterlingplumbing.com).

4-24-2020 06:56 - US